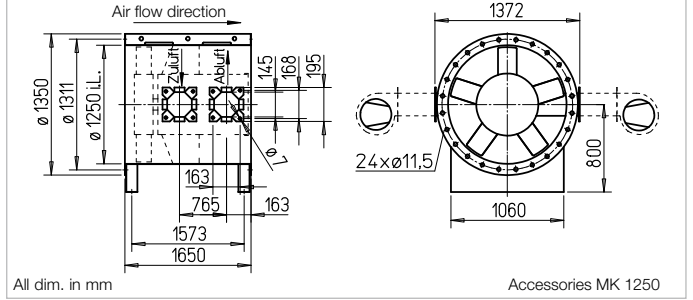


B AVD 1250



Dimensions B AVD 1250



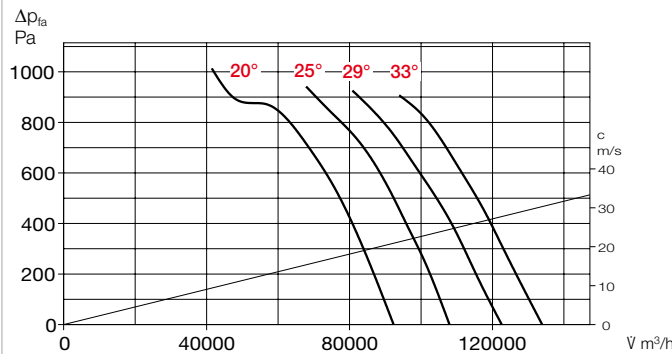
All dim. in mm

Accessories MK 1250

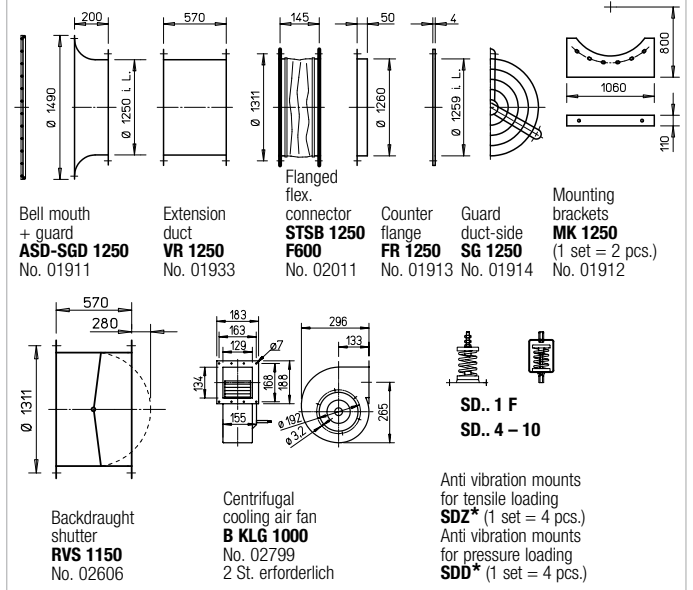
Performance curves B AVD 1250/4

Frequency	Hz	Total	125	250	500	1k	2k	4k	8k
L _{WA} 20°	dB(A)	110	81	98	104	105	100	95	90
L _{WA} 29°	dB(A)	113	84	101	107	108	103	98	93
L _{WA} 33°	dB(A)	114	85	102	108	109	104	99	94

n = 1470 1/min



Accessories for B AVD 500



Bell mouth + guard
ASD-SGD 1250
 No. 01911

Extension duct
VR 1250
 No. 01933

Flanged flex connector
STSB 1250 F600
 No. 02011

Counter flange
FR 1250
 No. 01913

Guard duct-side
SG 1250
 No. 01914

Mounting brackets
MK 1250
 (1 set = 2 pcs.)
 No. 01912

Backdraught shutter
RVS 1150
 No. 02606

Centrifugal cooling air fan
B KLG 1000
 No. 02799
 2 St. erforderlich

Anti vibration mounts for tensile loading
SDZ* (1 set = 4 pcs.)
 Anti vibration mounts for pressure loading
SDD* (1 set = 4 pcs.)

* Type assignment see table, last column

■ Certification

The smoke and heat exhaust fans B AVD have been tested according to DIN EN 12101-3. Certificate of conformity: F600: 0036-CPR-RG05-04

■ Information Page

Techn. description	22 f.
Project planning information	10 ff.
■ Accessory details	
Mounting accessories	160 ff.
Centrif. cooling air fan	162
Gas warning systems, switch and control technology	170 ff.

Type	Ref. no.	Speed min ⁻¹	Air flow volume (FID) V m ³ /h	Motor pow. nom. (output) kW	No-minal voltage V	Power consum. nom. A	Pitch angle °	Wiring diagram No.	Max. air flow temp. ¹⁾ +°C	Dim. B Motor protrusion mm	Net weight approx. kg	Pole switch surface-mounted		Anti-vibration mounts NG			
												Type	Ref. no.	Pressure Type	Ref. no.	Tensile ²⁾ Type	Ref. no.
F600 3 phase motor, 50 Hz, protection class IP54																	
B AVD 1250/4-20 F600	02893	1480	92320	30	400	57.10	20	776	600	—	595	EVS-SD 035	04551	SDD 8	01930	SDZ 8	01931
B AVD 1250/4-25 F600	02894	1480	108330	37	400	66.80	25	776	600	—	715	EVS-SD 036	04550	SDD 8	01930	SDZ 8	01931
B AVD 1250/4-29 F600	02895	1475	123000	45	400	80.90	29	776	600	—	736	EVS-SD 036	04550	SDD 8	01930	SDZ 8	01931
B AVD 1250/4-33 F600	02896	1480	135830	55	400	98.60	33	776	600	—	850	EVS-SD 037	04549	SDD 8	01930	SDZ 8	01931

¹⁾ Smoke extraction (one time 120 min.). ²⁾ Types SDZ not permitted for installation in fire zone.