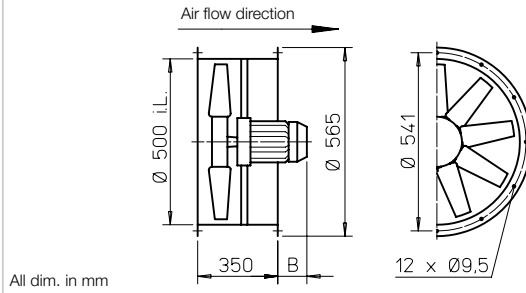


B AVD 500



Dimensions B AVD 500

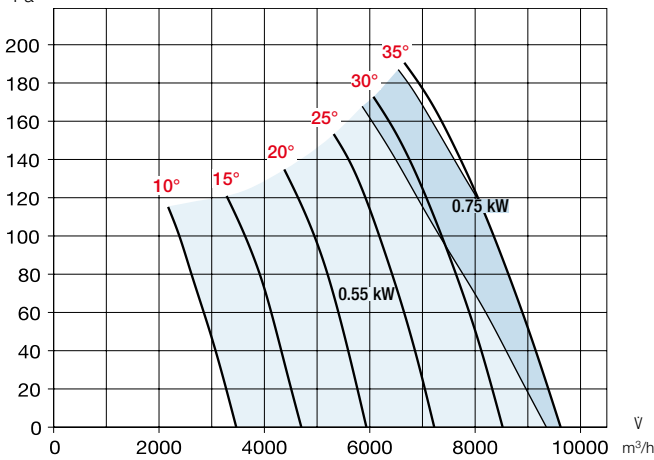


All dim. in mm

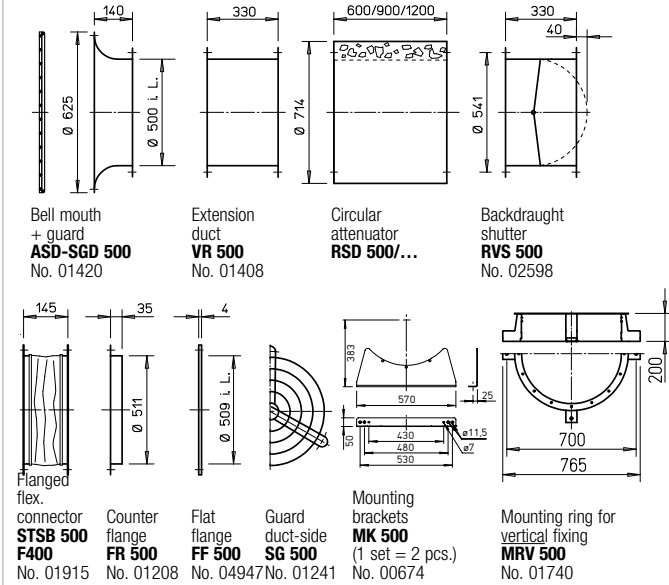
Performance curves B AVD 500/4

n=1420 1/min

Frequency	Hz	Total	125	250	500	1k	2k	4k	8k
L _{wa} 10°		dB(A) 78	58	64	73	70	70	66	62
L _{wa} 20°		dB(A) 80	60	66	75	72	72	68	64
L _{wa} 30°		dB(A) 84	64	70	79	76	76	72	68
L _{wa} 35°		dB(A) 86	65	71	80	77	77	73	69



Accessories for B AVD 500



Certification

The smoke and heat exhaust fans B AVD have been tested according to DIN EN 12101-3.
 Certificate of conformity:
 F300: 0036-CPR-RG05-03
 F400: 0036-CPR-RG05-06

Information Page

Techn. description	26 f.
Project planning information	13 ff.
Accessory details	
Mounting accessories	158 ff.
Attenuators	166
Gas warning systems, switch and control technology	168 ff.

Type	Ref. no.	Speed	Air flow volume (FID)	Motor pow. nom. (output)	No-minal voltage	Power consum. nom.	Pitch angle	Wiring diagram	Max. air flow temp. ¹⁾	Dim. B Motor protrusion	Net weight approx.	Pole switch surface-mounted		Anti-vibration mounts NG				
												Type	Ref. no.	Pressure	Tensile	Type	Ref. no.	Type
		min ⁻¹	V m ³ /h	kW	V	A	°	No.	+°C	mm	kg	Type	Ref. no.	Type	Ref. no.	Type	Ref. no.	
F300 3 phase motor, 50 Hz, protection class IP54																		
B AVD 500/4 0.55 kW F300	02315	1420	9360	0.55	400	1.23	*	776	40 / 300	41	36	EVS-D 001	04594	SDD 1F	01942	SDZ 1F	01943	
B AVD 500/4 0.75 kW F300	02316	1420	9360	0.75	400	1.62	*	776	40 / 300	41	38	EVS-D 001	04594	SDD 1F	01942	SDZ 1F	01943	
F300 Pole-switching, 2 speed (Dahlander winding Y/Y), 3 phase motor, 50 Hz, protection class IP54																		
B AVD 500/8/4 0.2/0.8 kW F300	02319	690/1415	4680/9360	0.2/0.8	400	0.88/1.99	*	777	40 / 300	41	39	on demand		SDD 1F	01942	SDZ 1F	01943	
F400 3 phase motor, 50 Hz, protection class IP54																		
B AVD 500/4 0.55 kW F400	02401	1420	9360	0.55	400	1.23	*	776	40 / 400	41	36	EVS-D 001	04594	SDD 1F	01942	SDZ 1F	01943	
B AVD 500/4 0.75 kW F400	02402	1420	9360	0.75	400	1.62	*	776	40 / 400	41	38	EVS-D 001	04594	SDD 1F	01942	SDZ 1F	01943	
F400 Pole-switching, 2 speed (Dahlander winding Y/Y), 3 phase motor, 50 Hz, protection class IP54																		
B AVD 500/8/4 0.2/0.8 kW F400	02403	690/1415	4680/9360	0.2/0.8	400	0.88/1.99	*	777	40 / 400	41	39	on demand		SDD 1F	01942	SDZ 1F	01943	

* The flow volume and pressure increase information is required to determine the pitch angle.

¹⁾ For ventilation operation / smoke extraction (one time 120 min. at 300 °C or 120 min. at 400 °C).