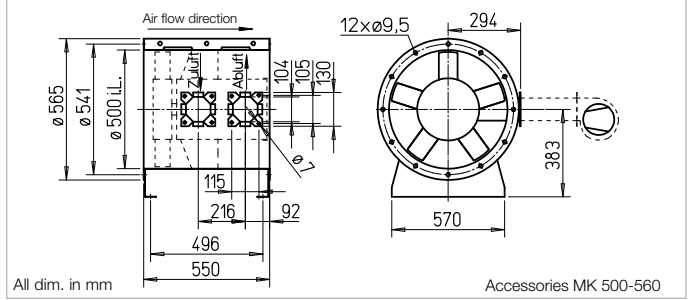


B AVD 500



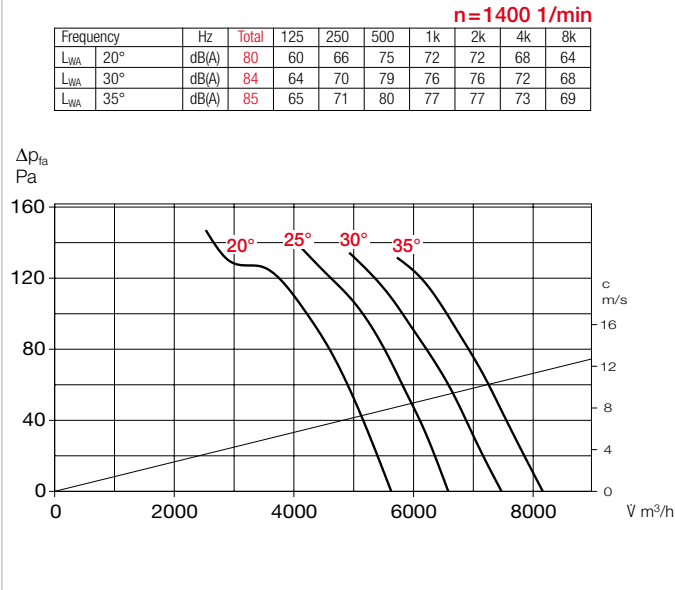
Dimensions B AVD 500



All dim. in mm

Accessories MK 500-560

Performance curves B AVD 500/4



Accessories for B AVD 500

Bell mouth + guard ASD-SGD 500
No. 01420

Extension duct VR 500
No. 01408

Flanged flex. connector STSB 500 F600
No. 02003

Counter flange FR 500
No. 0120804947

Flat flange FF 500
No. 01241

Guard duct-side SG 500
No. 01241

Mounting brackets MK 500
(1 set = 2 pcs.)
No. 00674

Backdraught shutter RVS 500
No. 02598

Centrifugal cooling air fan B KLG 500
No. 02798

SD.. 1F
SD.. 4-10

Anti vibration mounts for tensile loading **SDZ*** (1 set = 4 pcs.)
Anti vibration mounts for pressure loading **SDD*** (1 set = 4 pcs.)

* Type assignment see table, last column

■ Certification

The smoke and heat exhaust fans B AVD have been tested according to DIN EN 12101-3.
 Certificate of conformity:
 F600: 0036-CPR-RG05-04

■ Information Page

| | |
|--|---------|
| Techn. description | 26 ff. |
| Project planning information | 13 ff. |
| ■ Accessory details | |
| Mounting accessories | 158 ff. |
| Centrif. cooling air fan | 160 |
| Gas warning systems, switch and control technology | 168 ff. |

| Type | Ref. no. | Speed min ⁻¹ | Air flow volume (FID) V m ³ /h | Motor pow. nom. (output) kW | No- minal voltage V | Power consum. nom. A | Pitch angle ° | Wiring diagram No. | Max. air flow temp. ¹⁾ +°C | Dim. B Motor protru- sion mm | Net weight approx. kg | Pole switch surface-mounted | | Anti-vibration mounts NG | | | |
|---|----------|----------------------------|--|--------------------------------|------------------------------|-------------------------------|---------------------|--------------------------|--|--|--------------------------------|--------------------------------|----------|--------------------------|----------|-----------------------|----------|
| | | | | | | | | | | | | Type | Ref. no. | Pressure | | Tensile ²⁾ | |
| | | | | | | | | | | | | | | Type | Ref. no. | Type | Ref. no. |
| F600 3 phase motor, 50 Hz, protection class IP54 | | | | | | | | | | | | | | | | | |
| B AVD 500/4-20 F600 | 02804 | 1420 | 5660 | 0.55 | 400 | 1.23 | 20 | 776 | 600 | — | 64 | EVS-D 007 | 04587 | SDD 1F | 01942 | SDZ 1F | 01943 |
| B AVD 500/4-25 F600 | 02805 | 1420 | 6630 | 0.55 | 400 | 1.23 | 25 | 776 | 600 | — | 64 | EVS-D 007 | 04587 | SDD 1F | 01942 | SDZ 1F | 01943 |
| B AVD 500/4-30 F600 | 02806 | 1420 | 7520 | 0.55 | 400 | 1.23 | 30 | 776 | 600 | — | 64 | EVS-D 007 | 04587 | SDD 1F | 01942 | SDZ 1F | 01943 |
| B AVD 500/4-35 F600 | 02807 | 1420 | 8280 | 0.55 | 400 | 1.23 | 35 | 776 | 600 | — | 64 | EVS-D 007 | 04587 | SDD 1F | 01942 | SDZ 1F | 01943 |

¹⁾ Smoke extraction (one time 120 min.). ²⁾ Types SDZ not permitted for installation in fire zone.