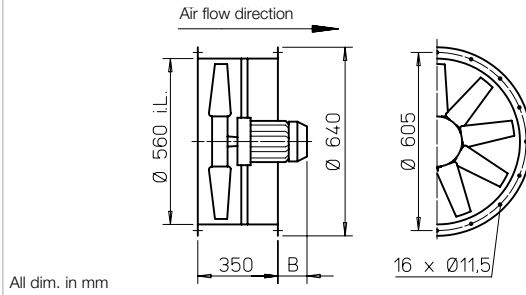


B AVD 560



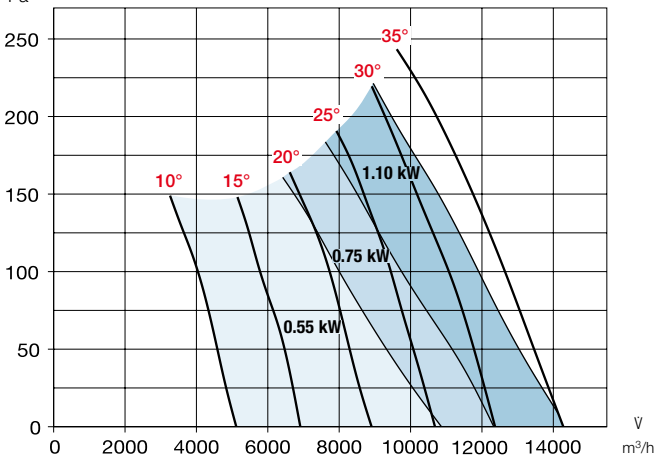
Dimensions B AVD 560



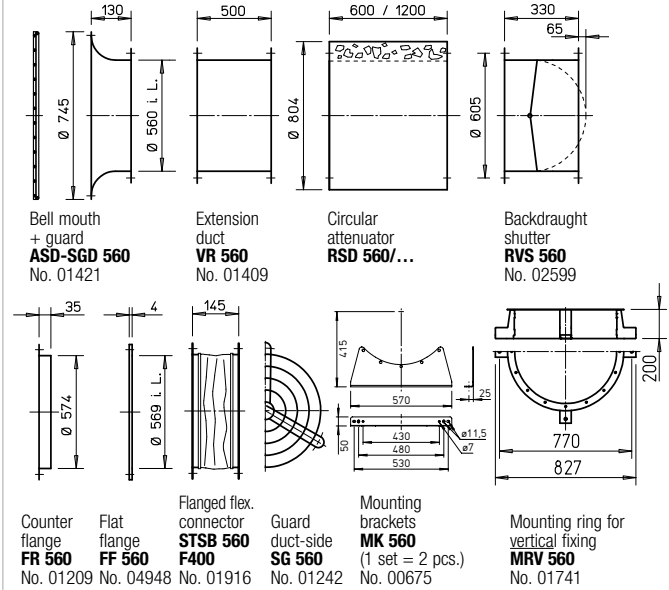
Performance curves B AVD 560/4

n=1420 1/min

Frequency	Hz	Total	125	250	500	1k	2k	4k	8k
L _{WA} 10°	dB(A)	80	60	66	75	72	72	68	64
L _{WA} 20°	dB(A)	83	63	69	78	75	75	71	67
L _{WA} 30°	dB(A)	87	67	73	82	79	79	75	71
L _{WA} 35°	dB(A)	89	69	75	84	81	81	77	73



Accessories for B AVD 560



■ Certification

The smoke and heat exhaust fans B AVD have been tested according to DIN EN 12101-3. Certificate of conformity: F300: 0036-CPR-RG05-03 F400: 0036-CPR-RG05-06

■ Information

Page
Techn. description 26 f.
Project planning information 13 ff.
■ Accessory details
Mounting accessories 158 ff.
Attenuators 166
Gas warning systems, switch and control technology 168 ff.

Type	Ref. no.	Speed	Air flow volume (FID)	Motor pow. nom. (output)	No-minal voltage	Power consum. nom.	Pitch angle	Wiring diagram	Max. air flow temp. ¹⁾	Dim. B Motor protrusion	Net weight approx.	Pole switch surface-mounted		Anti-vibration mounts NG			
												Type	Ref. no.	Pressure	Tensile		
		min ⁻¹	V m ³ /h	kW	V	A	°	No.	+°C	mm	kg	Type	Ref. no.	Type	Ref. no.	Type	Ref. no.
F300 3 phase motor, 50 Hz, protection class IP54																	
B AVD 560/4 0.55 kW F300	02525	1420	10870	0.55	400	1.23	*	776	40 / 300	41	39	EVS-D 001	04594	SDD 1F	01942	SDZ 1F	01943
B AVD 560/4 0.75 kW F300	02324	1420	12340	0.75	400	1.62	*	776	40 / 300	41	41	EVS-D 001	04594	SDD 1F	01942	SDZ 1F	01943
B AVD 560/4 1.1 kW F300	02325	1455	14280	1.1	400	2.35	*	776	40 / 300	59	46	EVS-D 001	04594	SDD 1F	01942	SDZ 1F	01943
F300 Pole-switching, 2 speed (Dahlander winding), 3 phase motor, 50 Hz, protection class IP54																	
B AVD 560/8/4 0.15/0.6 kW F300	02526	710/1440	5570/11140	0.15/0.6	400	0.76/1.76	*	777	40 / 300	41	42	on demand		SDD 1F	01942	SDZ 1F	01943
B AVD 560/8/4 0.2/0.8 kW F300	02327	690/1415	6380/12760	0.2/0.8	400	0.88/1.99	*	777	40 / 300	41	42	on demand		SDD 1F	01942	SDZ 1F	01943
B AVD 560/8/4 0.3/1.2 kW F300	02328	705/1430	7140/14280	0.3/1.2	400	1.29/2.92	*	777	40 / 300	59	46	on demand		SDD 1F	01942	SDZ 1F	01943
B AVD 560/8/4 0.4/1.6 kW F300	02329	700/1420	7140/14280	0.4/1.6	400	1.69/3.80	*	777	40 / 300	84	48	on demand		SDD 1F	01942	SDZ 1F	01943
F400 3 phase motor, 50 Hz, protection class IP54																	
B AVD 560/4 0.55 kW F400	02556	1420	10870	0.55	400	1.23	*	776	40 / 400	41	39	EVS-D 001	04594	SDD 1F	01942	SDZ 1F	01943
B AVD 560/4 0.75 kW F400	02406	1420	12340	0.75	400	1.62	*	776	40 / 400	41	41	EVS-D 001	04594	SDD 1F	01942	SDZ 1F	01943
B AVD 560/4 1.1 kW F400	02407	1455	14280	1.1	400	2.35	*	776	40 / 400	59	46	EVS-D 001	04594	SDD 1F	01942	SDZ 1F	01943
F400 Pole-switching, 2 speed (Dahlander winding), 3 phase motor, 50 Hz, protection class IP54																	
B AVD 560/8/4 0.15/0.6 kW F400	02557	710/1440	5570/11140	0.15/0.6	400	0.76/1.76	*	777	40 / 400	41	42	on demand		SDD 1F	01942	SDZ 1F	01943
B AVD 560/8/4 0.2/0.8 kW F400	02409	690/1415	6380/12760	0.2/0.8	400	0.88/1.99	*	777	40 / 400	41	42	on demand		SDD 1F	01942	SDZ 1F	01943
B AVD 560/8/4 0.3/1.2 kW F400	02410	705/1430	7140/14280	0.3/1.2	400	1.29/2.92	*	777	40 / 400	59	46	on demand		SDD 1F	01942	SDZ 1F	01943
B AVD 560/8/4 0.4/1.6 kW F400	02411	700/1420	7140/14280	0.4/1.6	400	1.69/3.80	*	777	40 / 400	84	48	on demand		SDD 1F	01942	SDZ 1F	01943

* The flow volume and pressure increase information is required to determine the pitch angle.

¹⁾ For ventilation operation / smoke extraction (one time 120 min. at 300 °C or 120 min. at 400 °C).