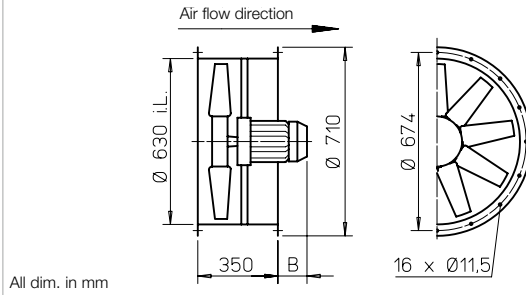


B AVD 630



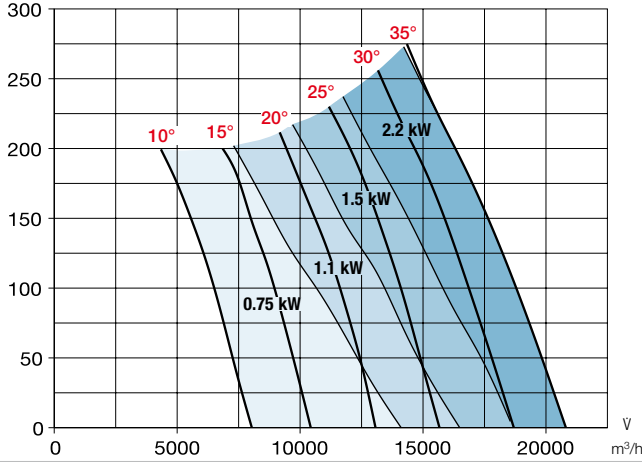
Dimensions B AVD 630



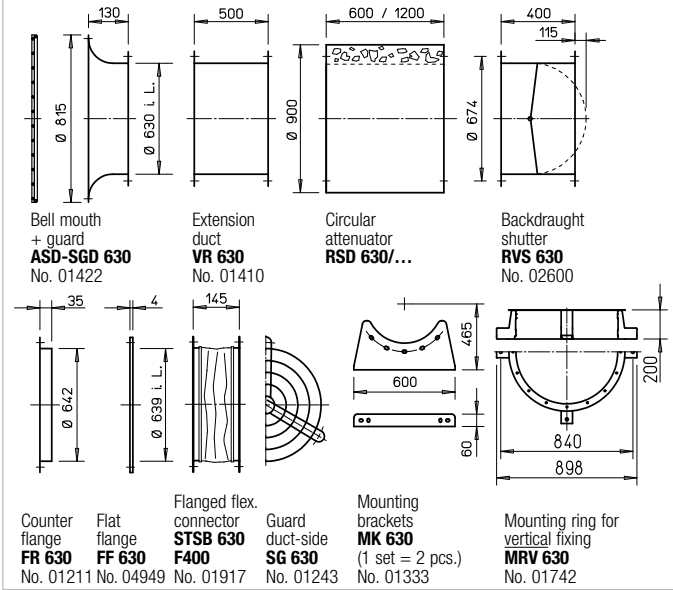
Performance curves B AVD 630/4

n = 1420 1/min

Frequency	Hz	Total	125	250	500	1k	2k	4k	8k
L _{WA} 10°	dB(A)	83	63	69	78	75	75	71	67
L _{WA} 20°	dB(A)	86	66	72	81	78	78	74	70
L _{WA} 30°	dB(A)	90	70	76	85	82	82	78	74
L _{WA} 35°	dB(A)	92	72	78	87	84	84	80	76



Accessories for B AVD 630



Certification

The smoke and heat exhaust fans B AVD have been tested according to DIN EN 12101-3. Certificate of conformity: F300: 0036-CPR-RG05-03 F400: 0036-CPR-RG05-06

Information

Page	
Techn. description	26 f.
Project planning information	13 ff.
Accessory details	
Mounting accessories	158 ff.
Attenuators	166
Gas warning systems, switch and control technology	168 ff.

Type	Ref. no.	Speed min ⁻¹	Air flow volume (FID) V m ³ /h	Motor pow. nom. (output) kW	No-minal voltage V	Power consum. nom. A	Pitch angle °	Wiring diagram No.	Max. air flow temp. ¹⁾ +°C	Dim. B Motor protrusion mm	Net weight approx. kg	Pole switch surface-mounted		Anti-vibration mounts NG			
												Type	Ref. no.	Pressure Type	Ref. no.	Tensile Type	Ref. no.
F300 3 phase motor, 50 Hz, protection class IP54																	
B AVD 630/4 0.75 kW F300	02527	1420	14110	0.75	400	1.62	*	776	40 / 300	41	43	EVS-D 001	04594	SDD 1F	01942	SDZ 1F	01943
B AVD 630/4 1.1 kW F300	02335	1455	16500	1.1	400	2.35	*	776	40 / 300	59	48	EVS-D 001	04594	SDD 1F	01942	SDZ 1F	01943
B AVD 630/4 1.5 kW F300	02336	1450	18700	1.5	400	3.17	*	776	40 / 300	84	52	EVS-D 001	04594	SDD 1F	01942	SDZ 1F	01943
B AVD 630/4 2.2 kW F300	02337	1435	21030	2.2	400	4.56	*	776	40 / 300	121	61	EVS-D 001	04594	SDD 1F	01942	SDZ 1F	01943
F300 Pole-switching, 2 speed (Dahlander winding Y/Y), 3 phase motor, 50 Hz, protection class IP54																	
B AVD 630/8/4 0.2/0.8 kW F300	02338	690/1415	7210/14420	0.2/0.8	400	0.88/1.99	*	777	40 / 300	41	44	on demand		SDD 1F	01942	SDZ 1F	01943
B AVD 630/8/4 0.3/1.2 kW F300	02339	705/1430	8510/17020	0.3/1.2	400	1.29/2.92	*	777	40 / 300	59	49	on demand		SDD 1F	01942	SDZ 1F	01943
B AVD 630/8/4 0.4/1.6 kW F300	02528	700/1420	9520/19040	0.4/1.6	400	1.69/3.80	*	777	40 / 300	84	50	on demand		SDD 1F	01942	SDZ 1F	01943
B AVD 630/8/4 0.55/2.2 kW F300	02340	700/1430	10410/20810	0.55/2.2	400	2.00/4.84	*	777	40 / 300	121	55	on demand		SDD 1F	01942	SDZ 1F	01943
F400 3 phase motor, 50 Hz, protection class IP54																	
B AVD 630/4 0.75 kW F400	02558	1420	14110	0.75	400	1.62	*	776	40 / 400	41	43	EVS-D 001	04594	SDD 1F	01942	SDZ 1F	01943
B AVD 630/4 1.1 kW F400	02417	01455	16500	1.1	400	2.35	*	776	40 / 400	59	48	EVS-D 001	04594	SDD 1F	01942	SDZ 1F	01943
B AVD 630/4 1.5 kW F400	02418	1450	18700	1.5	400	3.17	*	776	40 / 400	84	52	EVS-D 001	04594	SDD 1F	01942	SDZ 1F	01943
B AVD 630/4 2.2 kW F400	02419	1435	20810	2.2	400	4.56	*	776	40 / 400	121	61	EVS-D 001	04594	SDD 1F	01942	SDZ 1F	01943
F400 Pole-switching, 2 speed (Dahlander winding Y/Y), 3 phase motor, 50 Hz, protection class IP54																	
B AVD 630/8/4 0.2/0.8 kW F400	02420	690/1415	7210/14420	0.2/0.8	400	0.88/1.99	*	777	40 / 400	41	44	on demand		SDD 1F	01942	SDZ 1F	01943
B AVD 630/8/4 0.3/1.2 kW F400	02421	705/1430	8510/17020	0.3/1.2	400	1.29/2.92	*	777	40 / 400	59	49	on demand		SDD 1F	01942	SDZ 1F	01943
B AVD 630/8/4 0.4/1.6 kW F400	02559	700/1420	9520/19040	0.4/1.6	400	1.69/3.80	*	777	40 / 400	84	50	on demand		SDD 1F	01942	SDZ 1F	01943
B AVD 630/8/4 0.55/2.2 kW F400	02422	700/1430	10410/20810	0.55/2.2	400	2.00/4.84	*	777	40 / 400	121	55	on demand		SDD 1F	01942	SDZ 1F	01943

* The flow volume and pressure increase information is required to determine the pitch angle.

¹⁾ For ventilation operation / smoke extraction (one time 120 min. at 300 °C or 120 min. at 400 °C).