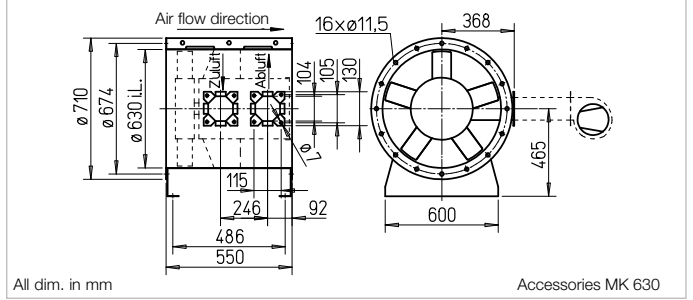


B AVD 630



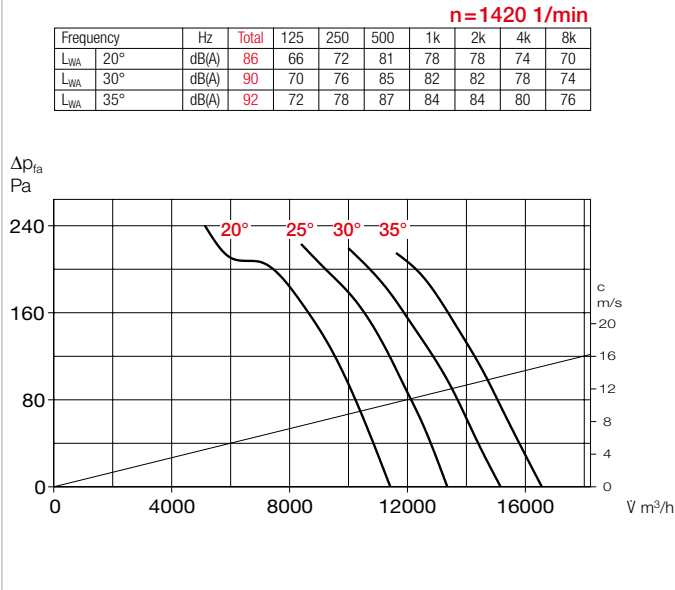
Dimensions B AVD 630



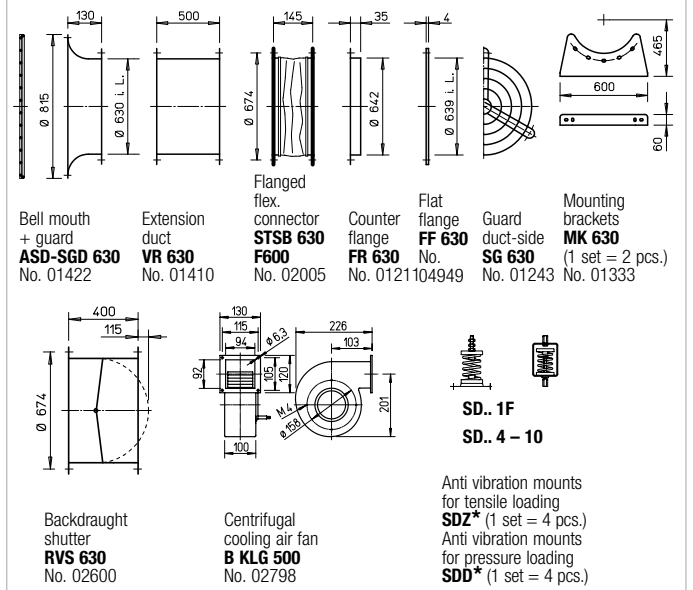
All dim. in mm

Accessories MK 630

Performance curves B AVD 630/4



Accessories for B AVD 630



* Type assignment see table, last column

■ Certification

The smoke and heat exhaust fans B AVD have been tested according to DIN EN 12101-3. Certificate of conformity: F600: 0036-CPR-RG05-04

■ Information Page

Techn. description	26 f.
Project planning information	13 ff.
■ Accessory details	
Mounting accessories	158 ff.
Centrif. cooling air fan	160
Gas warning systems, switch and control technology	168 ff.

Type	Ref. no.	Speed min ⁻¹	Air flow volume (FID) V m ³ /h	Motor pow. nom. (output) kW	No-minal voltage V	Power consum. nom. A	Pitch angle °	Wiring diagram No.	Max. air flow temp. ¹⁾ +°C	Dim. B Motor protrusion mm	Net weight approx. kg	Pole switch surface-mounted Type	Anti-vibration mounts NG				
													Pressure		Tensile		
												Type	Ref. no.	Type	Ref. no.	Type	Ref. no.
F600 3 phase motor, 50 Hz, protection class IP54																	
B AVD 630/4-20 F600	02834	1455	11580	1.10	400	2.35	20	776	600	—	86	EVS-D 007	04587	SDD 4	01944	SDZ 4	01945
B AVD 630/4-25 F600	02835	1455	13540	1.10	400	2.35	25	776	600	—	86	EVS-D 007	04587	SDD 4	01944	SDZ 4	01945
B AVD 630/4-30 F600	02836	1450	15370	1.50	400	3.17	30	776	600	—	89	EVS-D 007	04587	SDD 4	01944	SDZ 4	01945
B AVD 630/4-35 F600	02837	1435	16740	2.20	400	4.56	35	776	600	—	98	EVS-D 007	04587	SDD 4	01944	SDZ 4	01945

¹⁾ Smoke extraction (one time 120 min.). ²⁾ Types SDZ not permitted for installation in fire zone.