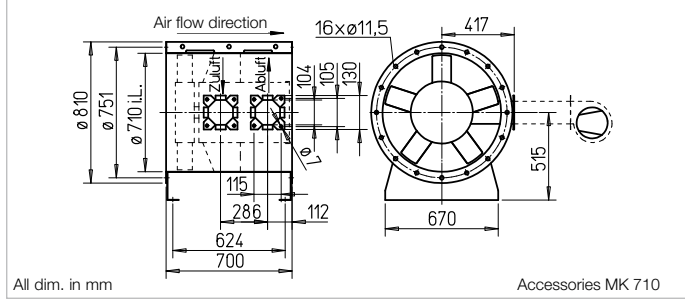


B AVD 710



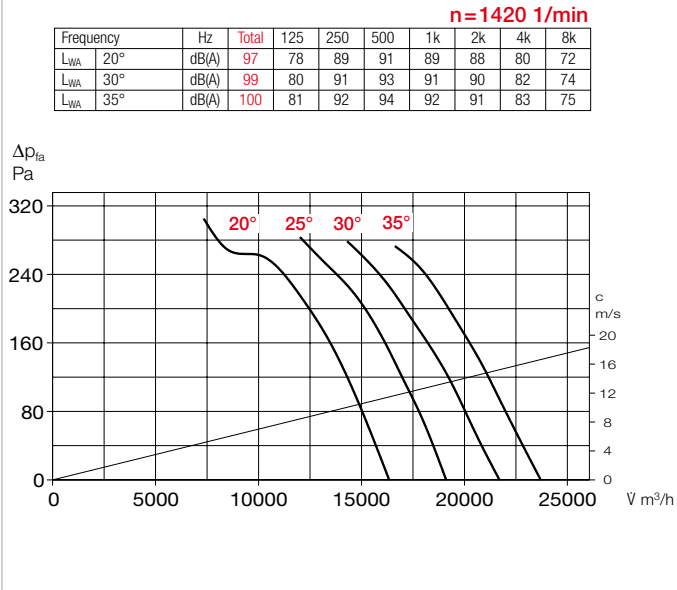
Dimensions B AVD 710



All dim. in mm

Accessories MK 710

Performance curves B AVD 710/4



Accessories for B AVD 710

Bell mouth + guard ASD-SGD 710 No. 01423
Extension duct VR 710 No. 01411
Flanged flex connector STSB 710 F600 No. 02006
Counter flange FR 710 No. 0121204950
Flat flange FF 710 No.
Guard duct-side SG 710 No. 01244
Mounting brackets MK 710 (1 set = 2 pcs.) No. 01372

Backdraught shutter RVS 710 No. 02601
Centrifugal cooling air fan B KLG 500 No. 02798

SD.. 1F
SD.. 4 - 10

Anti vibration mounts for tensile loading **SDZ*** (1 set = 4 pcs.)
 Anti vibration mounts for pressure loading **SDD*** (1 set = 4 pcs.)

* Type assignment see table, last column

■ Certification

The smoke and heat exhaust fans B AVD have been tested according to DIN EN 12101-3. Certificate of conformity: F600: 0036-CPR-RG05-04

■ Information Page

Techn. description	26 f.
Project planning information	13 ff.
■ Accessory details	
Mounting accessories	158 ff.
Centrif. cooling air fan	160
Gas warning systems, switch and control technology	168 ff.

Type	Ref. no.	Speed min ⁻¹	Air flow volume (FID) V m ³ /h	Motor pow. nom. (output) kW	No-minal volta-ge V	Power consum. nom. A	Pitch angle °	Wiring diagram No.	Max. air flow temp. ¹⁾ +°C	Dim. B Motor protrusion mm	Net weight approx. kg	Pole switch surface-mounted		Anti-vibration mounts NG			
												Type	Ref. no.	Pressure Type	Ref. no.	Tensile ²⁾ Type	Ref. no.
F600 3 phase motor, 50 Hz, protection class IP54																	
B AVD 710/4-20 F600	02845	1435	16400	2.20	400	4.56	20	776	600	—	130	EVS-D 007	04587	SDD 5	01924	SDZ 5	01925
B AVD 710/4-25 F600	02846	1435	19180	2.20	400	4.56	25	776	600	—	130	EVS-D 007	04587	SDD 5	01924	SDZ 5	01925
B AVD 710/4-30 F600	02847	1440	21700	3.00	400	6.15	30	776	600	—	133	EVS-SD 024	04563	SDD 5	01924	SDZ 5	01925
B AVD 710/4-35 F600	02848	1450	24220	4.00	400	8.03	35	776	600	—	141	EVS-SD 024	04563	SDD 5	01924	SDZ 5	01925

¹⁾ Smoke extraction (one time 120 min.). ²⁾ Types SDZ not permitted for installation in fire zone.