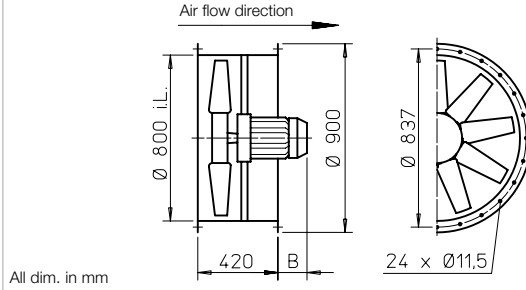


**B AVD 800**



**Dimensions B AVD 800**

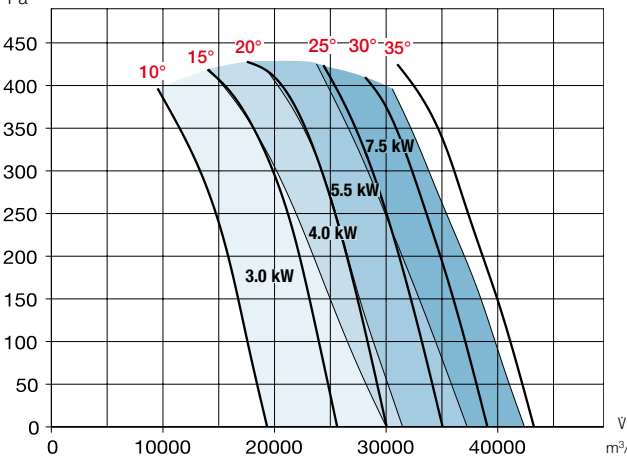


All dim. in mm

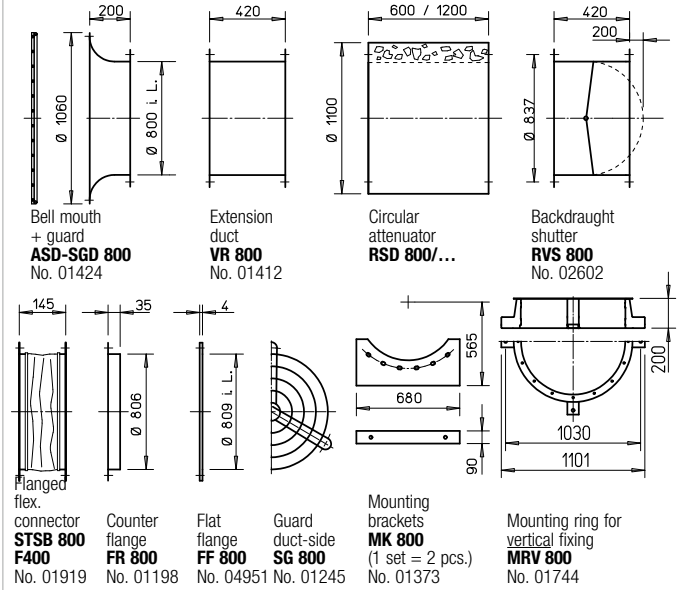
**Performance curves B AVD 800/4**

n=1440 1/min

Frequency	Hz	Total	125	250	500	1k	2k	4k	8k
L <sub>WA</sub> 10°	dB(A)	98	79	90	92	90	89	81	73
L <sub>WA</sub> 20°	dB(A)	100	81	92	94	92	91	83	75
L <sub>WA</sub> 30°	dB(A)	102	83	94	96	94	93	85	77
L <sub>WA</sub> 35°	dB(A)	103	84	95	97	95	94	86	78



**Accessories for B AVD 800**



**■ Certification**

The B AVD have been tested according to DIN EN 12101-3. Certificate of conformity: F300: 0036-CPR-RG05-03 F400: 0036-CPR-RG05-06

**■ Information**

Techn. description 26 ff.  
 Project planning information 13 ff.

**■ Accessory details**

Mounting accessories 158 ff.  
 Attenuators 166  
 Gas warning systems, switch and control technology 168 ff.

Type	Ref. no.	Speed	Air flow volume (FD)	Motor pow. nom. (output)	No-minimal voltage	Power consum. nom.	Pitch angle	Wiring diagram	Max. air flow temp. <sup>1)</sup>	Dim. B Motor protrusion	Net weight approx.	Pole switch surface-mounted	Anti-vibration mounts NG					
													Type	Ref. no.	Pressure	Tensile		
		min <sup>-1</sup>	∇ m <sup>3</sup> /h	kW	V	A	°	No.	+°C	mm	kg	Type	Ref. no.	Type	Ref. no.	Type	Ref. no.	
<b>F300</b> 3 phase motor, 50 Hz, protection class IP54																		
B AVD 800/4 3.0 kW F300	02352	1440	30020	3.0	400	6.15	*	776	40 / 300	211	89	EVS-SD 001	04586	SDD 5	1924	SDZ 5	01925	
B AVD 800/4 4.0 kW F300	02353	1450	31480	4.0	400	8.03	*	776	40 / 300	228	98	EVS-SD 001	04586	SDD 5	1924	SDZ 5	01925	
B AVD 800/4 5.5 kW F300	02354	1460	37300	5.5	400	10.40	*	776	40 / 300	267	126	EVS-SD 002	04585	SDD 5	1924	SDZ 5	01925	
B AVD 800/4 7.5 kW F300	02355	1460	42400	7.5	400	13.90	*	776	40 / 300	305	135	EVS-SD 003	04584	SDD 5	1924	SDZ 5	01925	
<b>F300</b> Pole-switching, 2 speed (Dahlander winding Y/Y), 3 phase motor, 50 Hz, protection class IP54																		
B AVD 800/8/4 0.7/2.8 kW F300	02356	690/1410	14440/28880	0.7/2.8	400	2.41/6.01	*	777	40 / 300	211	89	on demand		SDD 5	1924	SDZ 5	01925	
B AVD 800/8/4 1.0/3.8 kW F300	02357	710/1440	15330/30660	1.0/3.8	400	2.75/8.26	*	777	40 / 300	228	98	on demand		SDD 5	1924	SDZ 5	01925	
B AVD 800/8/4 1.3/5.0 kW F300	02358	730/1440	17960/35920	1.3/5.0	400	3.50/10.4	*	777	40 / 300	267	128	on demand		SDD 5	1924	SDZ 5	01925	
B AVD 800/8/4 1.8/7.2 kW F300	02359	725/1430	20855/41710	1.8/7.2	400	4.64/14.4	*	777	40 / 300	305	140	on demand		SDD 5	1924	SDZ 5	01925	
<b>F400</b> 3 phase motor, 50 Hz, protection class IP54																		
B AVD 800/4 3.0 kW F400	02436	1440	30020	3.0	400	6.15	*	776	40 / 400	211	89	EVS-SD 001	04586	SDD 5	1924	SDZ 5	01925	
B AVD 800/4 4.0 kW F400	02437	1450	31480	4.0	400	8.03	*	776	40 / 400	228	103	EVS-SD 001	04586	SDD 5	1924	SDZ 5	01925	
B AVD 800/4 5.5 kW F400	02438	1460	37300	5.5	400	10.40	*	776	40 / 400	267	126	EVS-SD 002	04585	SDD 5	1924	SDZ 5	01925	
B AVD 800/4 7.5 kW F400	02439	1460	42400	7.5	400	13.90	*	776	40 / 400	305	135	EVS-SD 003	04584	SDD 5	1924	SDZ 5	01925	
<b>F400</b> Pole-switching, 2 speed (Dahlander winding Y/Y), 3 phase motor, 50 Hz, protection class IP54																		
B AVD 800/8/4 0.7/2.8 kW F400	02440	690/1410	14440/28880	0.7/2.8	400	2.41/6.01	*	777	40 / 400	211	89	on demand		SDD 5	1924	SDZ 5	01925	
B AVD 800/8/4 1.0/3.8 kW F400	02441	710/1440	15330/30660	1.0/3.8	400	2.75/8.26	*	777	40 / 400	228	103	on demand		SDD 5	1924	SDZ 5	01925	
B AVD 800/8/4 1.3/5.0 kW F400	02442	730/1440	17960/35920	1.3/5.0	400	3.50/10.4	*	777	40 / 400	267	128	on demand		SDD 5	1924	SDZ 5	01925	
B AVD 800/8/4 1.8/7.2 kW F400	02443	725/1430	20855/41710	1.8/7.2	400	4.64/14.4	*	777	40 / 400	305	140	on demand		SDD 5	1924	SDZ 5	01925	

\* The flow volume and pressure increase information is required to determine the pitch angle.

<sup>1)</sup> For ventilation operation / smoke extraction (one time 120 min. at 300 °C or 120 min. at 400 °C).