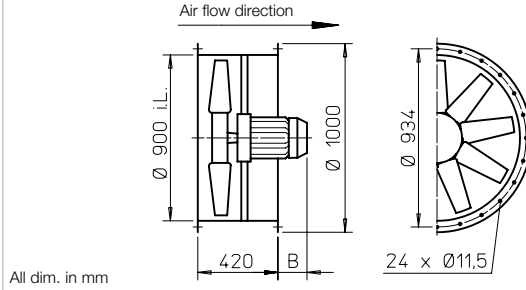


**B AVD 900**



**Dimensions B AVD 900**

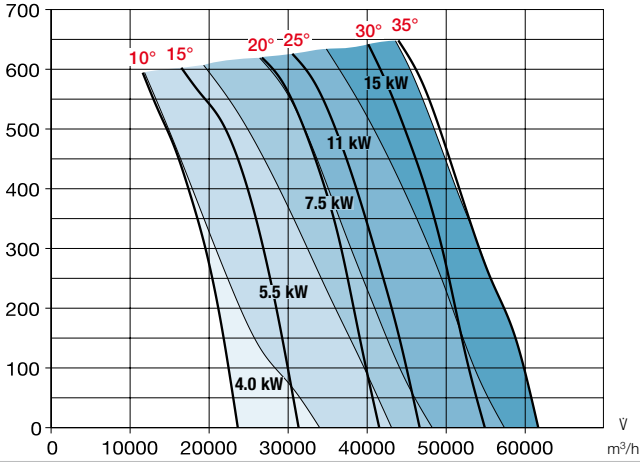


All dim. in mm

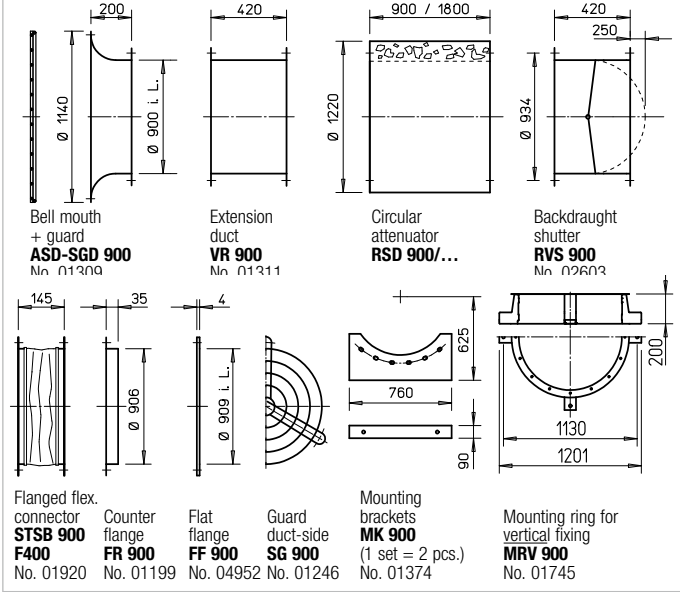
**Performance curves B AVD 900/4**

n=1450 1/min

Frequency	Hz	Total	125	250	500	1k	2k	4k	8k
L <sub>WA</sub> 10°		dB(A) 98	70	84	90	94	92	84	76
L <sub>WA</sub> 20°		dB(A) 100	72	86	92	96	94	86	78
L <sub>WA</sub> 30°		dB(A) 104	76	90	96	100	98	90	82
L <sub>WA</sub> 35°		dB(A) 105	77	91	97	101	99	91	83



**Accessories for B AVD 900**



Type	Ref. no.	Speed	Air flow volume (FID)	Motor pow. nom. (output)	Nominal voltage	Power consum. nom.	Pitch angle	Wiring diagram	Max. air flow temp. <sup>1)</sup>	Dim. B Motor protrusion	Net weight approx.	Pole switch surface-mounted		Anti-vibration mounts NG			
												Type	Ref. no.	Pressure	Tensile	Type	Ref. no.
<b>F300 3 phase motor, 50 Hz, protection class IP54</b>																	
B AVD 900/4 4.0 kW F300	02548	1450	33990	4	400	8.03	*	776	40 / 300	228	124	EVS-SD 001	04586	SDD 5	01924	SDZ 5	01925
B AVD 900/4 5.5 kW F300	02362	1460	43100	5.5	400	10.4	*	776	40 / 300	267	145	EVS-SD 002	04585	SDD 5	01924	SDZ 5	01925
B AVD 900/4 7.5 kW F300	02363	1460	48240	7.5	400	13.9	*	776	40 / 300	305	156	EVS-SD 003	04584	SDD 5	01924	SDZ 5	01925
B AVD 900/4 11 kW F300	02364	1470	57380	11.0	400	20.9	*	776	40 / 300	383	206	EVS-SD 004	04583	SDD 6	01926	SDZ 6	01927
B AVD 900/4 15 kW F300	02365	1465	61640	15.0	400	27.9	*	776	40 / 300	427	224	EVS-SD 005	04582	SDD 6	01926	SDZ 6	01927
<b>F300 Pole-switching, 2 speed (Dahlander winding YYY), 3 phase motor, 50 Hz, protection class IP54</b>																	
B AVD 900/8/4 1.0/3.8 kW F300	02549	710/1440	16490/32980	1.0/3.8	400	2.75/8.26	*	777	40 / 300	228	125	on demand		SDD 5	01924	SDZ 5	01925
B AVD 900/8/4 1.3/5.0 kW F300	02366	730/1440	20760/41520	1.3/5.0	400	3.50/10.4	*	777	40 / 300	267	150	on demand		SDD 5	01924	SDZ 5	01925
B AVD 900/8/4 1.8/7.2 kW F300	02367	725/1430	23390/46780	1.8/7.2	400	4.64/14.4	*	777	40 / 300	305	169	on demand		SDD 6	01926	SDZ 6	01927
B AVD 900/8/4 3.0/11 kW F300	02368	725/1455	28690/57380	3.0/11.0	400	7.0/21.0	*	777	40 / 300	383	208	on demand		SDD 6	01926	SDZ 6	01927
B AVD 900/8/4 4.3/17 kW F300	02369	730/1475	30820/61640	4.3/17.0	400	12.7/33.4	*	777	40 / 300	449	251	on demand		SDD 6	01926	SDZ 6	01927
<b>F400 3 phase motor, 50 Hz, protection class IP54</b>																	
B AVD 900/4 4.0 kW F400	02573	1440	33990	4	400	8.03	*	776	40 / 400	228	124	EVS-SD 001	04586	SDD 5	01924	SDZ 5	01925
B AVD 900/4 5.5 kW F400	02447	1460	43100	5.5	400	10.4	*	776	40 / 400	267	145	EVS-SD 002	04585	SDD 5	01924	SDZ 5	01925
B AVD 900/4 7.5 kW F400	02448	1460	48240	7.5	400	13.9	*	776	40 / 400	305	156	EVS-SD 003	04584	SDD 5	01924	SDZ 5	01925
B AVD 900/4 11 kW F400	02449	1470	57380	11.0	400	20.9	*	776	40 / 400	383	206	EVS-SD 004	04583	SDD 6	01926	SDZ 6	01927
B AVD 900/4 15 kW F400	02450	1465	61640	15.0	400	27.9	*	776	40 / 400	427	224	EVS-SD 005	04582	SDD 6	01926	SDZ 6	01927
<b>F400 Pole-switching, 2 speed (Dahlander winding YYY), 3 phase motor, 50 Hz, protection class IP54</b>																	
B AVD 900/8/4 1.0/3.8 kW F400	02574	710/1440	16490/32980	1.0/3.8	400	2.75/8.26	*	777	40 / 400	228	125	on demand		SDD 5	01924	SDZ 5	01925
B AVD 900/8/4 1.3/5.0 kW F400	02452	730/1440	20760/41520	1.3/5.0	400	3.5/10.4	*	777	40 / 400	267	150	on demand		SDD 5	01924	SDZ 5	01925
B AVD 900/8/4 1.8/7.2 kW F400	02453	725/1430	23390/46780	1.8/7.2	400	4.64/14.4	*	777	40 / 400	305	169	on demand		SDD 6	01926	SDZ 6	01927
B AVD 900/8/4 3.0/11 kW F400	02454	725/1455	28690/57380	3.0/11.0	400	7.0/21.0	*	777	40 / 400	383	208	on demand		SDD 6	01926	SDZ 6	01927
B AVD 900/8/4 4.3/17 kW F400	02455	730/1475	30820/61640	4.3/17.0	400	12.7/33.4	*	777	40 / 400	449	251	on demand		SDD 6	01926	SDZ 6	01927

\* The flow volume and pressure increase information is required to determine the pitch angle.

<sup>1)</sup> For ventilation operation / smoke extraction (one time 120 min. at 300 °C or 120 min. at 400 °C).