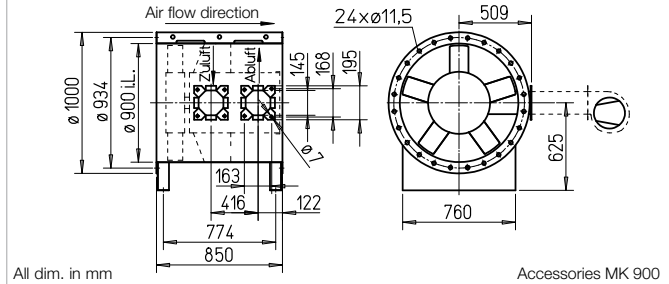


B AVD 900



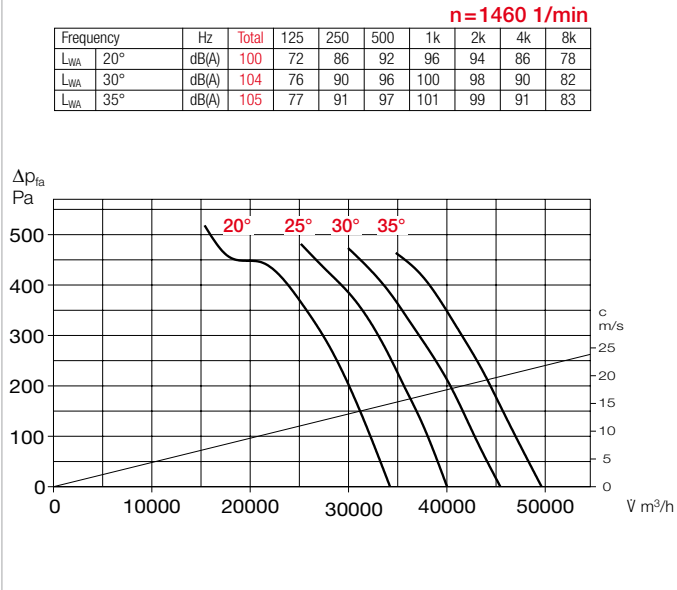
Dimensions B AVD 900



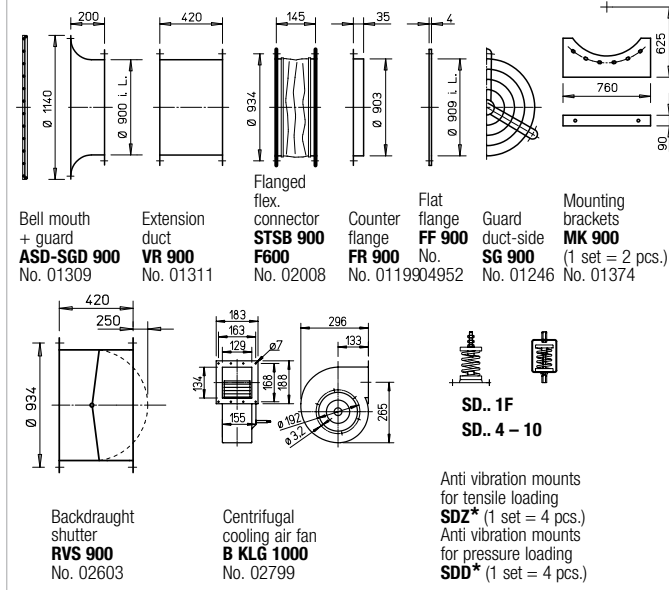
All dim. in mm

Accessories MK 900

Performance curves B AVD 900/4



Accessories for B AVD 900



* Type assignment see table, last column

■ Certification

The smoke and heat exhaust fans B AVD have been tested according to DIN EN 12101-3. Certificate of conformity: F600: 0036-CPR-RG05-04

■ Information Page

| | |
|--|---------|
| Techn. description | 26 f. |
| Project planning information | 13 ff. |
| ■ Accessory details | |
| Mounting accessories | 158 ff. |
| Centrif. cooling air fan | 160 |
| Gas warning systems, switch and control technology | 168 ff. |

| Type | Ref. no. | Speed min ⁻¹ | Air flow volume (FID) V m ³ /h | Motor pow. nom. (output) kW | Nominal voltage V | Power consum. nom. A | Pitch angle ° | Wiring diagram No. | Max. air flow temp. ¹⁾ +°C | Dim. B Motor protrusion mm | Net weight approx. kg | Pole switch surface-mounted | | Anti-vibration mounts NG | | | |
|---|----------|-------------------------|---|-----------------------------|-------------------|----------------------|---------------|--------------------|---------------------------------------|----------------------------|-----------------------|-----------------------------|----------|--------------------------|----------|----------------------------|----------|
| | | | | | | | | | | | | Type | Ref. no. | Pressure Type | Ref. no. | Tensile ²⁾ Type | Ref. no. |
| F600 3 phase motor, 50 Hz, protection class IP54 | | | | | | | | | | | | | | | | | |
| B AVD 900/4-20 F600 | 02865 | 1460 | 34220 | 5.50 | 400 | 10.40 | 20 | 776 | 600 | — | 210 | EVS-SD 028 | 04559 | SDD 5 | 01924 | SDZ 5 | 01925 |
| B AVD 900/4-25 F600 | 02866 | 1460 | 39880 | 7.50 | 400 | 13.90 | 25 | 776 | 600 | — | 219 | EVS-SD 029 | 04558 | SDD 6 | 01926 | SDZ 6 | 01927 |
| B AVD 900/4-30 F600 | 02867 | 1470 | 45750 | 11.0 | 400 | 20.90 | 30 | 776 | 600 | — | 252 | EVS-SD 030 | 04557 | SDD 6 | 01926 | SDZ 6 | 01927 |
| B AVD 900/4-35 F600 | 02868 | 1465 | 50180 | 15.0 | 400 | 27.90 | 35 | 776 | 600 | — | 272 | EVS-SD 031 | 04556 | SDD 6 | 01926 | SDZ 6 | 01927 |

¹⁾ Smoke extraction (one time 120 min.). ²⁾ Types SDZ not permitted for installation in fire zone.