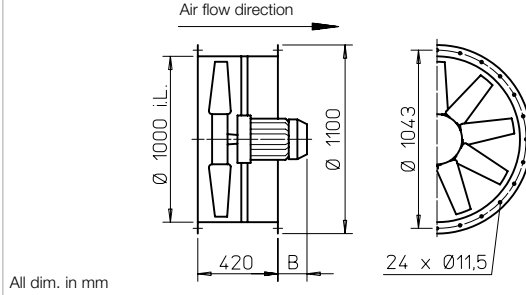


B AVD 1000



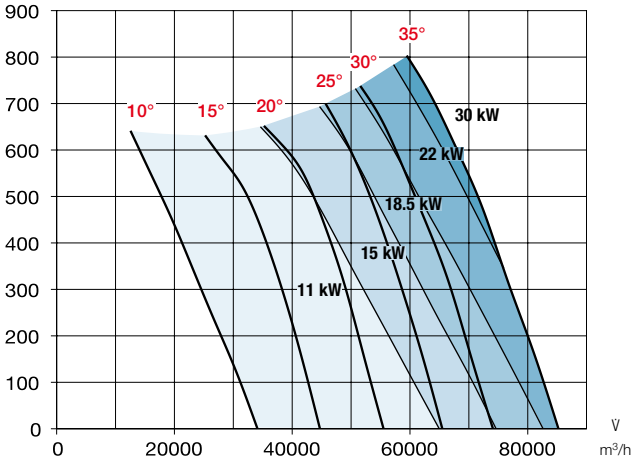
Dimensions B AVD 1000



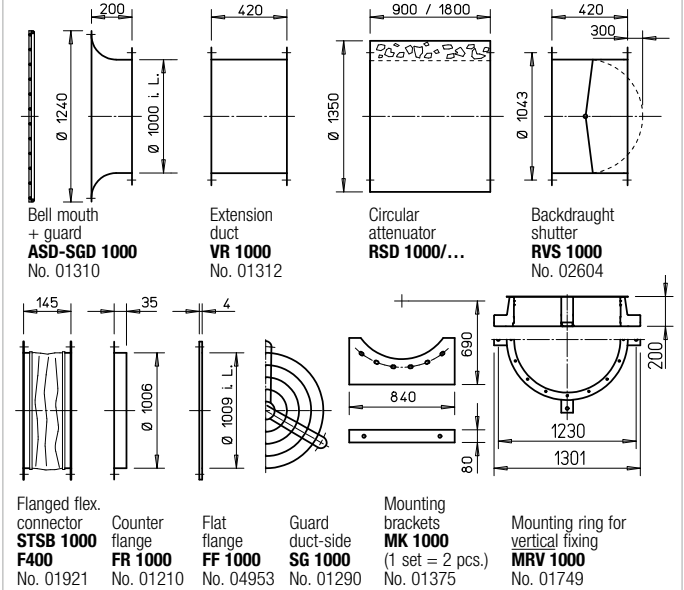
Performance curves B AVD 1000/4

n = 1465 1/min

Frequency	Hz	Total	125	250	500	1k	2k	4k	8k
L _{WA} 10°	dB(A)	101	73	87	93	97	95	87	79
L _{WA} 20°	dB(A)	103	75	89	95	99	97	89	81
L _{WA} 30°	dB(A)	107	79	93	99	103	101	93	85
L _{WA} 35°	dB(A)	108	80	94	100	104	102	94	86



Accessories for B AVD 1000



Certification

Certificate of conformity:
 F300: 0036-CPR-RG05-03
 F400: 0036-CPR-RG05-06

Information

Page	
Techn. description	26 ff.
Project planning information	13 ff.
Mounting accessories	158 ff.
Gas warning systems, switch and control technology	168 ff.

Type	Ref. no.	Speed min ⁻¹	Air flow volume (FID) V m ³ /h	Motor pow. nom. (output) kW	No-minal voltage V	Power consum. nom. A	Pitch angle °	Wiring diagram No.	Max. air flow temp. ¹⁾ +°C	Dim. B Motor protrusion mm	Net weight approx. kg	Pole switch surface-mounted Type	Anti-vibration mounts NG				
													Pressure		Tensile		
F300 3 phase motor, 50 Hz, protection class IP54																	
B AVD 1000/4 11 kW F300	02372	1470	64980	11.0	400	20.9	*	776	40 / 300	383	206	EVS-SD 004	04583	SDD 6	01926	SDZ 6	01927
B AVD 1000/4 15 kW F300	02373	1465	74630	15.0	400	27.9	*	776	40 / 300	427	228	EVS-SD 005	04582	SDD 6	01926	SDZ 6	01927
B AVD 1000/4 18.5 kW F300	02550	1470	82610	18.5	400	35.1	*	776	40 / 300	449	261	EVS-SD 006	04581	SDD 6	01926	SDZ 6	01927
B AVD 1000/4 22 kW F300	02375	1470	85220	22.0	400	41.0	*	776	40 / 300	487	278	EVS-SD 007	04580	SDD 6	01926	SDZ 6	01927
B AVD 1000/4 30 kW F300	02376	1480	85220	30.0	400	57.1	*	776	40 / 300	552	322	EVS-SD 008	04579	SDD 7	01928	SDZ 7	01929
F300 Pole-switching, 2 speed (Dahlander winding Y/Y), 3 phase motor, 50 Hz, protection class IP54																	
B AVD 1000/8/4 3.0/11 kW F300	02377	725/1455	32490/64980	3.0/11.0	400	7.0/21.0	*	777	40 / 300	383	205	on demand		SDD 6	01926	SDZ 6	01927
B AVD 1000/8/4 4.3/17 kW F300	02378	730/1475	40190/80380	4.3/17.0	400	12.7/33.4	*	777	40 / 300	449	255	on demand		SDD 6	01926	SDZ 6	01927
B AVD 1000/8/4 5.0/20 kW F300	02379	730/1470	42610/85220	5.0/20.0	400	14.1/38.6	*	777	40 / 300	487	268	on demand		SDD 6	01926	SDZ 6	01927
B AVD 1000/8/4 6.5/28 kW F300	02380	735/1480	42610/85220	6.5/28.0	400	18.0/52.0	*	777	40 / 300	552	347	on demand		SDD 7	01928	SDZ 7	01929
F400 3 phase motor, 50 Hz, protection class IP54																	
B AVD 1000/4 11 kW F400	02458	1470	64980	11.0	400	20.9	*	776	40 / 400	383	206	EVS-SD 004	04583	SDD 6	01926	SDZ 6	01927
B AVD 1000/4 15 kW F400	02459	01465	74630	15.0	400	27.9	*	776	40 / 400	427	228	EVS-SD 005	04582	SDD 6	01926	SDZ 6	01927
B AVD 1000/4 18.5 kW F400	02611	1470	82610	18.5	400	35.1	*	776	40 / 400	449	261	EVS-SD 006	04581	SDD 6	01926	SDZ 6	01927
B AVD 1000/4 22 kW F400	02461	1470	85220	22.0	400	41.0	*	776	40 / 400	487	276	EVS-SD 007	04580	SDD 6	01926	SDZ 6	01927
B AVD 1000/4 30 kW F400	02462	1480	85220	30.0	400	57.1	*	776	40 / 400	552	322	EVS-SD 008	04579	SDD 7	01928	SDZ 7	01929
F400 Pole-switching, 2 speed (Dahlander winding Y/Y), 3 phase motor, 50 Hz, protection class IP54																	
B AVD 1000/8/4 3.0/11 kW F400	02464	725/1455	32490/64980	3.0/11.0	400	7.0/21.0	*	777	40 / 400	383	205	on demand		SDD 6	01926	SDZ 6	01927
B AVD 1000/8/4 4.3/17 kW F400	02465	730/1475	40190/80380	4.3/17.0	400	12.7/33.4	*	777	40 / 400	449	255	on demand		SDD 6	01926	SDZ 6	01927
B AVD 1000/8/4 5.0/20 kW F400	02466	730/1470	42610/85220	5.0/20.0	400	14.1/38.6	*	777	40 / 400	487	268	on demand		SDD 6	01926	SDZ 6	01927
B AVD 1000/8/4 6.5/28 kW F400	02467	735/1480	42610/85220	6.5/28.0	400	18.0/52.0	*	777	40 / 400	552	347	on demand		SDD 7	01928	SDZ 7	01929

* The flow volume and pressure increase information is required to determine the pitch angle.
 1) For ventilation operation / smoke extraction (one time 120 min. at 300 °C or 120 min. at 400 °C).