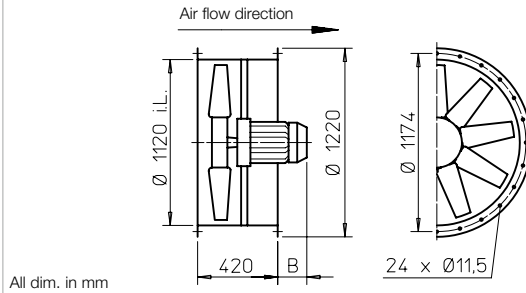


**B AVD 1120**

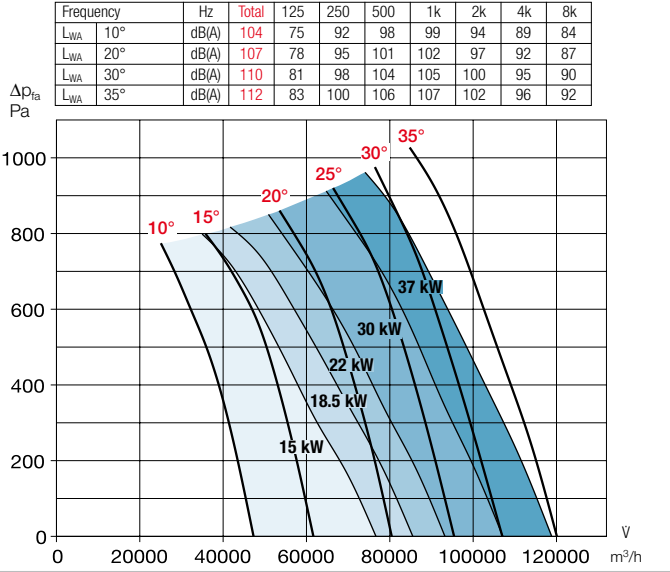


**Dimensions B AVD 1120**

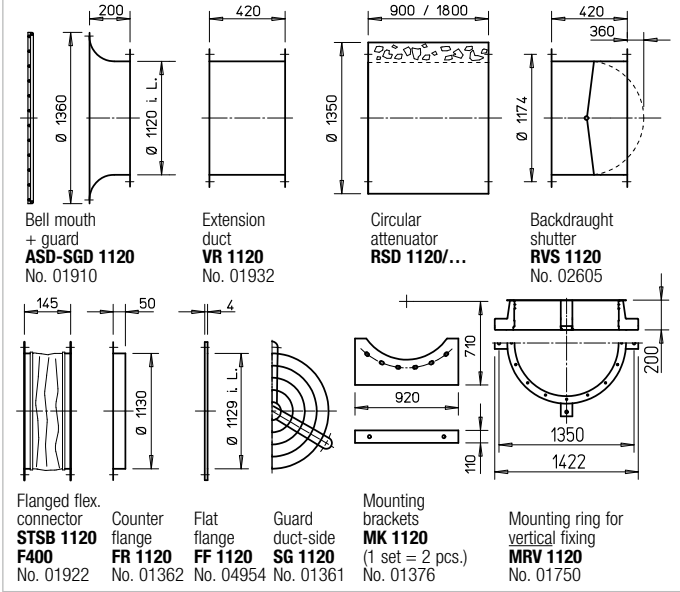


**Performance curves B AVD 1120/4**

n = 1465 1/min



**Accessories for B AVD 1120**



**Certification**

Certificate of conformity:  
 F300: 0036-CPR-RG05-03  
 F400: 0036-CPR-RG05-06

**Information**

Page
Techn. description 26 ff.
Project planning information 13 ff.
Mounting accessories 158 ff.
Gas warning systems, switch and control technology 168 ff.

Type	Ref. no.	Speed	Air flow volume (FID)	Motor pow. nom. (output)	Nominal voltage	Power consum. nom.	Pitch angle	Wiring diagram	Max. air flow temp. <sup>1)</sup>	Dim. B Motor protrusion	Net weight approx.	Pole switch surface-mounted	Anti-vibration mounts NG				
													Pressure		Tensile		
		min <sup>-1</sup>	V m <sup>3</sup> /h	kW	V	A	°	No.	+°C	mm	kg	Type	Ref. no.	Type	Ref. no.	Type	Ref. no.
<b>F300 3 phase motor, 50 Hz, protection class IP54</b>																	
B AVD 1120/4 15 kW F300	02383	1465	76680	15.0	400	27.9	*	776	40 / 300	427	258	EVS-SD 005	04582	SDD 6	01926	SDZ 6	01927
B AVD 1120/4 18.5 kW F300	02551	1470	85520	18.5	400	35.1	*	776	40 / 300	449	291	EVS-SD 006	04581	SDD 6	01926	SDZ 6	01927
B AVD 1120/4 22 kW F300	02385	1470	93230	22.0	400	41.0	*	776	40 / 300	487	316	EVS-SD 007	04580	SDD 7	01928	SDZ 7	01929
B AVD 1120/4 30 kW F300	02386	1480	107110	30.0	400	57.1	*	776	40 / 300	552	352	EVS-SD 008	04579	SDD 7	01928	SDZ 7	01929
B AVD 1120/4 37 kW F300	02387	1480	118850	37.0	400	66.8	*	776	40 / 300	641	491	EVS-SD 009	04578	SDD 8	01930	SDZ 8	01931
<b>F300 Pole-switching, 2 speed (Dahlander winding Y/Y), 3 phase motor, 50 Hz, protection class IP54</b>																	
B AVD 1120/8/4 4.3/17 kW F300	02388	730/1475	41550/83100	4.3/17.0	400	12.7/33.4	*	777	40 / 300	449	285	on demand		SDD 6	01926	SDZ 6	01927
B AVD 1120/8/4 5.0/20 kW F300	02389	730/1470	45640/91280	5.0/20.0	400	14.1/38.6	*	777	40 / 300	487	300	on demand		SDD 7	01928	SDZ 7	01929
B AVD 1120/8/4 6.5/28 kW F300	02390	735/1480	51640/103280	6.5/28.0	400	18.0/52.0	*	777	40 / 300	552	359	on demand		SDD 7	01928	SDZ 7	01929
B AVD 1120/8/4 9.2/37 kW F300	02391	740/1485	59430/118860	9.2/37.0	400	25.4/74.2	*	777	40 / 300	604	486	on demand		SDD 8	01930	SDZ 8	01931
<b>F400 3 phase motor, 50 Hz, protection class IP54</b>																	
B AVD 1120/4 15 kW F400	02470	1465	76680	15.0	400	27.9	*	776	40 / 400	427	258	EVS-SD 005	04582	SDD 6	01926	SDZ 6	01927
B AVD 1120/4 18.5 kW F400	02612	1470	85520	18.5	400	35.1	*	776	40 / 400	449	291	EVS-SD 006	04581	SDD 6	01926	SDZ 6	01927
B AVD 1120/4 22 kW F400	02472	1470	93230	22.0	400	41.0	*	776	40 / 400	487	316	EVS-SD 007	04580	SDD 7	01928	SDZ 7	01929
B AVD 1120/4 30 kW F400	02473	1480	107110	30.0	400	57.1	*	776	40 / 400	552	352	EVS-SD 008	04579	SDD 7	01928	SDZ 7	01929
B AVD 1120/4 37 kW F400	02474	1480	118850	37.0	400	66.8	*	776	40 / 400	641	491	EVS-SD 009	04578	SDD 8	01930	SDZ 8	01931
<b>F400 Pole-switching, 2 speed (Dahlander winding Y/Y), 3 phase motor, 50 Hz, protection class IP54</b>																	
B AVD 1120/8/4 4.3/17 kW F400	02475	730/1475	41550/83100	4.3/17.0	400	12.7/33.4	*	777	40 / 400	449	285	on demand		SDD 6	01926	SDZ 6	01927
B AVD 1120/8/4 5.0/20 kW F400	02476	730/1470	45640/91280	5.0/20.0	400	14.1/38.6	*	777	40 / 400	487	300	on demand		SDD 7	01928	SDZ 7	01929
B AVD 1120/8/4 6.5/28 kW F400	02477	735/1480	51640/103280	6.5/28.0	400	18.0/52.0	*	777	40 / 400	552	359	on demand		SDD 7	01928	SDZ 7	01929
B AVD 1120/8/4 9.2/37 kW F400	02478	740/1485	59430/118860	9.2/37.0	400	25.4/74.2	*	777	40 / 400	604	486	on demand		SDD 8	01930	SDZ 8	01931

\* The flow volume and pressure increase information is required to determine the pitch angle.  
 1) For ventilation operation / smoke extraction (one time 120 min. at 300 °C or 120 min. at 400 °C).