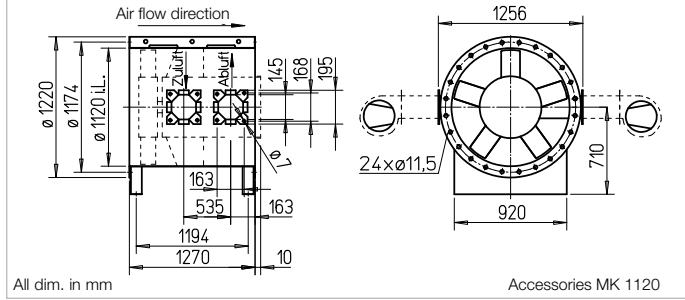


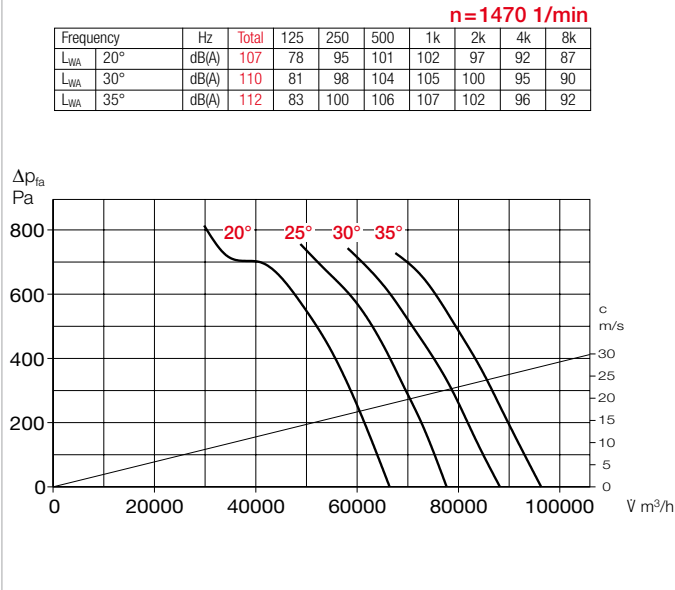
Dimensions B AVD 1120



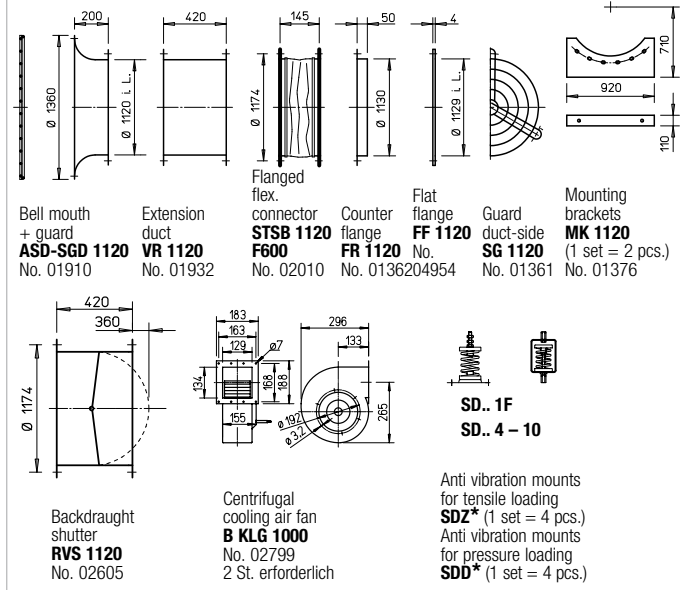
Dimensions B AVD 1120



Performance curves B AVD 1120/4



Accessories for B AVD 1120



\* Type assignment see table, last column

**■ Certification**

The smoke and heat exhaust fans B AVD have been tested according to DIN EN 12101-3. Certificate of conformity: F600: 0036-CPR-RG05-04

**■ Information Page**

Techn. description	26 f.
Project planning information	13 ff.
<b>■ Accessory details</b>	
Mounting accessories	158 ff.
Centrif. cooling air fan	160
Gas warning systems, switch and control technology	168 ff.

Type	Ref. no.	Speed min <sup>-1</sup>	Air flow volume (FID) V m <sup>3</sup> /h	Motor pow. nom. (output) kW	Nominal voltage V	Power consum. nom. A	Pitch angle °	Wiring diagram No.	Max. air flow temp. <sup>1)</sup> +°C	Dim. B Motor protrusion mm	Net weight approx. kg	Pole switch surface-mounted		Anti-vibration mounts NG			
												Type	Ref. no.	Pressure Type	Ref. no.	Tensile <sup>2)</sup> Type	Ref. no.
<b>F600 3 phase motor, 50 Hz, protection class IP54</b>																	
<b>B AVD 1120/4-20 F600</b>	02885	1470	66180	18.5	400	35.10	20	776	600	—	446	<b>EVS-SD 033</b>	04554	<b>SDD 7</b>	01928	<b>SDZ 7</b>	01929
<b>B AVD 1120/4-25 F600</b>	02886	1470	77390	22.0	400	41.0	25	776	600	—	468	<b>EVS-SD 034</b>	04552	<b>SDD 7</b>	01928	<b>SDZ 7</b>	01929
<b>B AVD 1120/4-30 F600</b>	02887	1480	88180	30.0	400	57.10	30	776	600	—	504	<b>EVS-SD 035</b>	04551	<b>SDD 7</b>	01928	<b>SDZ 7</b>	01929
<b>B AVD 1120/4-35 F600</b>	02888	1480	97370	37.0	400	66.80	35	776	600	10	645	<b>EVS-SD 036</b>	04550	<b>SDD 8</b>	01930	<b>SDZ 8</b>	01931

<sup>1)</sup> Smoke extraction (one time 120 min.). <sup>2)</sup> Types SDZ not permitted for installation in fire zone.