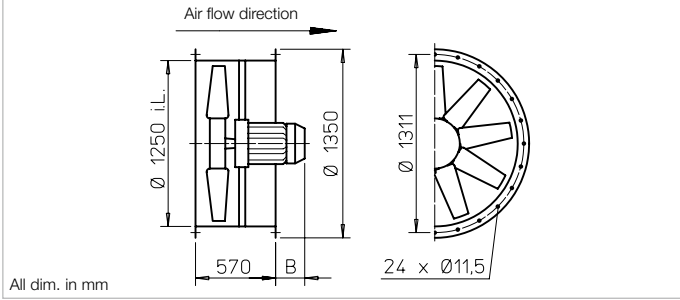


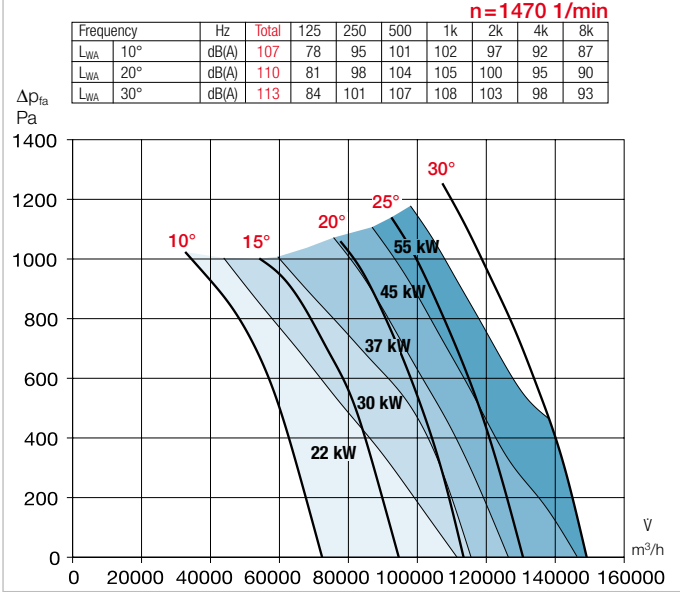
**B AVD 1250**



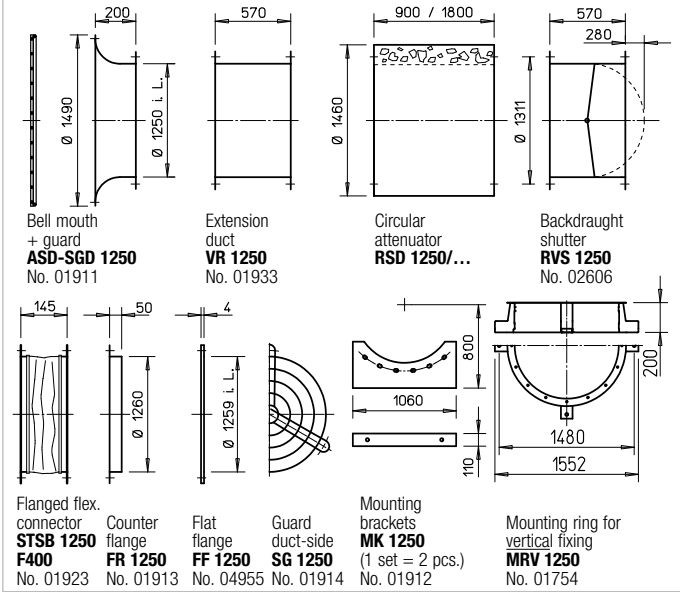
**Dimensions B AVD 1250**



**Performance curves B AVD 1250/4**



**Accessories for B AVD 1250**



Certification		Information		Page
Certificate of conformity:				
F300: 0036-CPR-RG05-03		Techn. description		26 ff.
F400: 0036-CPR-RG05-06		Project planning information		13 ff.
		Mounting accessories		158 ff.
		Gas warning systems, switch and control technology		168 ff.

Type	Ref. no.	Speed	Air flow volume (FID)	Motor pow. nom. (output)	Nominal voltage	Power consum. nom.	Pitch angle	Wiring diagram	Max. air flow temp. <sup>1)</sup>	Dim. B Motor protrusion	Net weight approx.	Pole switch surface-mounted	Anti-vibration mounts NG				
													Pressure		Tensile		
		min <sup>-1</sup>	V m <sup>3</sup> /h	kW	V	A	°	No.	+°C	mm	kg	Type	Ref. no.	Type	Ref. no.	Type	Ref. no.
<b>F300 3 phase motor, 50 Hz, protection class IP54</b>																	
B AVD 1250/4 22 kW F300	02555	1470	111520	22.0	400	41.0	*	776	40 / 300	487	335	EVS-SD 007	04580	SDD 7	01928	SDZ 7	01929
B AVD 1250/4 30 kW F300	02392	1480	115590	30.0	400	57.1	*	776	40 / 300	552	378	EVS-SD 008	04579	SDD 7	01928	SDZ 7	01929
B AVD 1250/4 37 kW F300	02393	1480	126420	37.0	400	66.8	*	776	40 / 300	641	517	EVS-SD 009	04578	SDD 8	01930	SDZ 8	01931
B AVD 1250/4 45 kW F300	02394	1475	146350	45.0	400	80.9	*	776	40 / 300	641	522	EVS-SD 009	04578	SDD 8	01930	SDZ 8	01931
B AVD 1250/4 55 kW F300	02395	1480	149140	55.0	400	98.6	*	776	40 / 300	720	641	EVS-SD 010	04577	SDD 8	01930	SDZ 8	01931
<b>F300 Pole-switching, 2 speed (Dahlander winding Y/Y), 3 phase motor, 50 Hz, protection class IP54</b>																	
B AVD 1250/8/4 6.5/28 kW F300	02396	735/1480	56670/113340	6.5/28.0	400	18.0/52.0	*	777	40 / 300	552	384	on demand		SDD 7	01928	SDZ 7	01929
B AVD 1250/8/4 9.2/37 kW F300	02397	740/1485	63210/126420	9.2/37.0	400	25.4/74.2	*	777	40 / 300	604	510	on demand		SDD 8	01930	SDZ 8	01931
B AVD 1250/8/4 11/44 kW F300	02398	740/1480	71870/143740	11.0/44.0	400	27.2/80.2	*	777	40 / 300	604	577	on demand		SDD 8	01930	SDZ 8	01931
B AVD 1250/8/4 14.7/55 kW F300	02399	735/1480	74570/149140	14.7/55.0	400	36.5/100	*	777	40 / 300	678	645	on demand		SDD 8	01930	SDZ 8	01931
<b>F400 3 phase motor, 50 Hz, protection class IP54</b>																	
B AVD 1250/4 22 kW F400	02613	1470	111520	22.0	400	41.0	*	776	40 / 400	487	335	EVS-SD 007	04580	SDD 7	01928	SDZ 7	01929
B AVD 1250/4 30 kW F400	02480	1480	115590	30.0	400	57.1	*	776	40 / 400	552	378	EVS-SD 008	04579	SDD 7	01928	SDZ 7	01929
B AVD 1250/4 37 kW F400	02481	1480	126420	37.0	400	66.8	*	776	40 / 400	641	517	EVS-SD 009	04578	SDD 8	01930	SDZ 8	01931
B AVD 1250/4 45 kW F400	02482	1475	146350	45.0	400	80.9	*	776	40 / 400	641	522	EVS-SD 009	04578	SDD 8	01930	SDZ 8	01931
B AVD 1250/4 55 kW F400	02483	1480	149140	55.0	400	98.6	*	776	40 / 400	720	641	EVS-SD 010	04577	SDD 8	01930	SDZ 8	01931
<b>F400 Pole-switching, 2 speed (Dahlander winding Y/Y), 3 phase motor, 50 Hz, protection class IP54</b>																	
B AVD 1250/8/4 6.5/28 kW F400	02484	735/1480	56670/113340	6.5/28.0	400	18.0/52.0	*	777	40 / 400	552	384	on demand		SDD 7	01928	SDZ 7	01929
B AVD 1250/8/4 9.2/37 kW F400	02485	740/1485	63210/126420	9.2/37.0	400	25.4/74.2	*	777	40 / 400	604	510	on demand		SDD 8	01930	SDZ 8	01931
B AVD 1250/8/4 11/44 kW F400	02486	740/1480	71870/143740	11.0/44.0	400	27.2/80.2	*	777	40 / 400	604	577	on demand		SDD 8	01930	SDZ 8	01931
B AVD 1250/8/4 14.7/55 kW F400	02487	735/1480	74570/149140	14.7/55.0	400	36.5/100	*	777	40 / 400	678	645	on demand		SDD 8	01930	SDZ 8	01931

\* The flow volume and pressure increase information is required to determine the pitch angle.  
 1) For ventilation operation / smoke extraction (one time 120 min. at 300 °C or 120 min. at 400 °C).