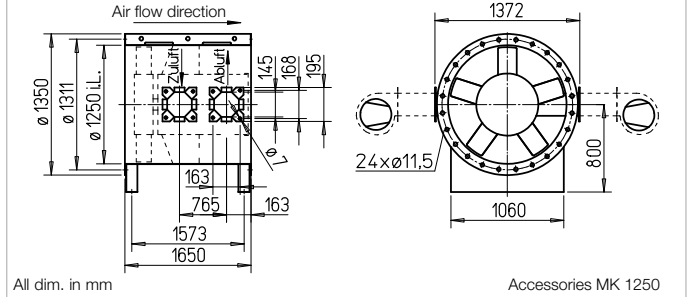


**B AVD 1250**



**Dimensions B AVD 1250**



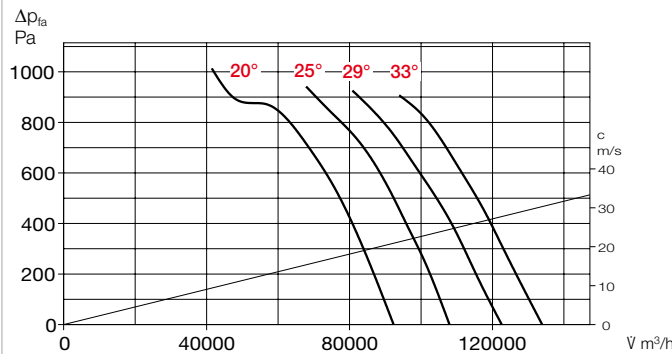
All dim. in mm

Accessories MK 1250

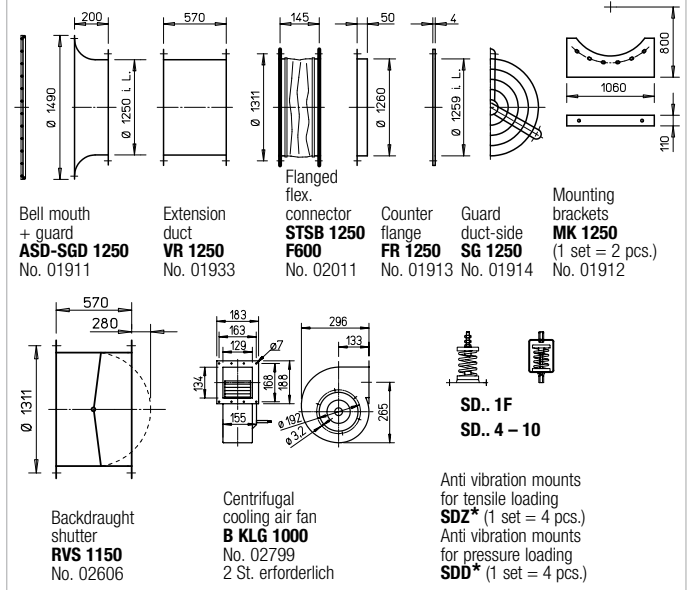
**Performance curves B AVD 1250/4**

Frequency		Hz	Total	125	250	500	1k	2k	4k	8k
L <sub>WA</sub>	20°	dB(A)	110	81	98	104	105	100	95	90
L <sub>WA</sub>	29°	dB(A)	113	84	101	107	108	103	98	93
L <sub>WA</sub>	33°	dB(A)	114	85	102	108	109	104	99	94

n = 1470 1/min



**Accessories for B AVD 500**



Bell mouth + guard  
**ASD-SGD 1250**  
 No. 01911

Extension duct  
**VR 1250**  
 No. 01933

Flanged flex connector  
**STSB 1250 F600**  
 No. 02011

Counter flange  
**FR 1250**  
 No. 01913

Guard duct-side  
**SG 1250**  
 No. 01914

Mounting brackets  
**MK 1250**  
 (1 set = 2 pcs.)  
 No. 01912

Backdraught shutter  
**RVS 1150**  
 No. 02606

Centrifugal cooling air fan  
**B KLG 1000**  
 No. 02799  
 2 St. erforderlich

Anti vibration mounts for tensile loading  
**SDZ\*** (1 set = 4 pcs.)  
 Anti vibration mounts for pressure loading  
**SDD\*** (1 set = 4 pcs.)

\* Type assignment see table, last column

**■ Certification**

The smoke and heat exhaust fans B AVD have been tested according to DIN EN 12101-3. Certificate of conformity: F600: 0036-CPR-RG05-04

**■ Information Page**

Techn. description	26 f.
Project planning information	13 ff.
<b>■ Accessory details</b>	
Mounting accessories	158 ff.
Centrif. cooling air fan	160
Gas warning systems, switch and control technology	168 ff.

Type	Ref. no.	Speed min <sup>-1</sup>	Air flow volume (FID) V m <sup>3</sup> /h	Motor pow. nom. (output) kW	No-minal voltage V	Power consum. nom. A	Pitch angle °	Wiring diagram No.	Max. air flow temp. <sup>1)</sup> +°C	Dim. B Motor protrusion mm	Net weight approx. kg	Pole switch surface-mounted		Anti-vibration mounts NG			
												Type	Ref. no.	Pressure Type	Ref. no.	Tensile <sup>2)</sup> Type	Ref. no.
<b>F600 3 phase motor, 50 Hz, protection class IP54</b>																	
<b>B AVD 1250/4-20 F600</b>	02893	1480	92320	30	400	57.10	20	776	600	—	595	<b>EVS-SD 035</b>	04551	<b>SDD 8</b>	01930	<b>SDZ 8</b>	01931
<b>B AVD 1250/4-25 F600</b>	02894	1480	108330	37	400	66.80	25	776	600	—	715	<b>EVS-SD 036</b>	04550	<b>SDD 8</b>	01930	<b>SDZ 8</b>	01931
<b>B AVD 1250/4-29 F600</b>	02895	1475	123000	45	400	80.90	29	776	600	—	736	<b>EVS-SD 036</b>	04550	<b>SDD 8</b>	01930	<b>SDZ 8</b>	01931
<b>B AVD 1250/4-33 F600</b>	02896	1480	135830	55	400	98.60	33	776	600	—	850	<b>EVS-SD 037</b>	04549	<b>SDD 8</b>	01930	<b>SDZ 8</b>	01931

<sup>1)</sup> Smoke extraction (one time 120 min.). <sup>2)</sup> Types SDZ not permitted for installation in fire zone.