

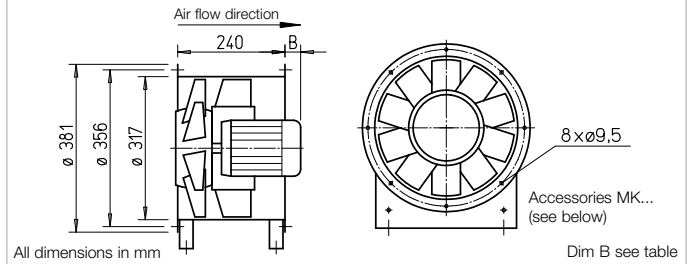
AMD / B AMD 315



Certification

The smoke ventilation fans B AMD have been tested according to DIN EN 12101-3. Certificate of performance reliability: F300: 0036-CPR-RG05-18 F400: 0036-CPR-RG05-19

Dimensions AMD / B AMD 315



Description, Installation, Casing, Air flow direction, etc. see page 46.

Impeller

- Hub and blades made from corrosion-resistant aluminium alloy. Ten aerodynamically profiled blades achieve the highest level of efficiency and pressure ratings together with the guide vane.
- Dynamically balanced, quality class 6.3 for low-vibration operation.
- Blades can be steplessly adjusted in the factory.

Motor

- Series AMD: Direct through efficient IE3 standard three phase motor. Pole-switching fans with IEC standard motor. Protection class IP55, insulation class F.

- Series B AMD: Direct through efficient IE3 three phase motor (smoke extraction motors F300 or F400). Pole-switching fans with IEC standard motor. Protection class IP55. Insulation class H. Fire-resistant external cable with sheathing.

Motor protrusion

For some types, the motor protrudes over the casing. Protrusion dimension B in mm must be observed according to the type table.

Motor protection

All types have PTC resistors from the terminal box. This must be bridged in smoke extraction mode for B AMD models.

Electrical connection

- Series AMD: Standard plastic terminal box (protection class IP55), mounted to outside of duct.
- Series B AMD: Standard aluminium die-cast terminal box (protection class IP55), mounted to outside of duct.

Air flow temperatures

- Series AMD: Suitable for supply and extract ventilation from -20 °C to +60 °C continuous temperature. Types for higher air flow temperatures upon request.
- Series B AMD: Like series AMD, but also for smoke extraction according to the temperature classification up to 300 °C/120 min. and 400 °C/120 min.

Double pressure

Mounting package MP-Z for two-stage Z unit

For arrangement of two identical fans in a row, for highest pressure ratings. Scope of delivery: Extension ducts (2 pcs.) and assembly kit. Weight: 7.5 kg

MP-Z 315 Ref. no. 04903

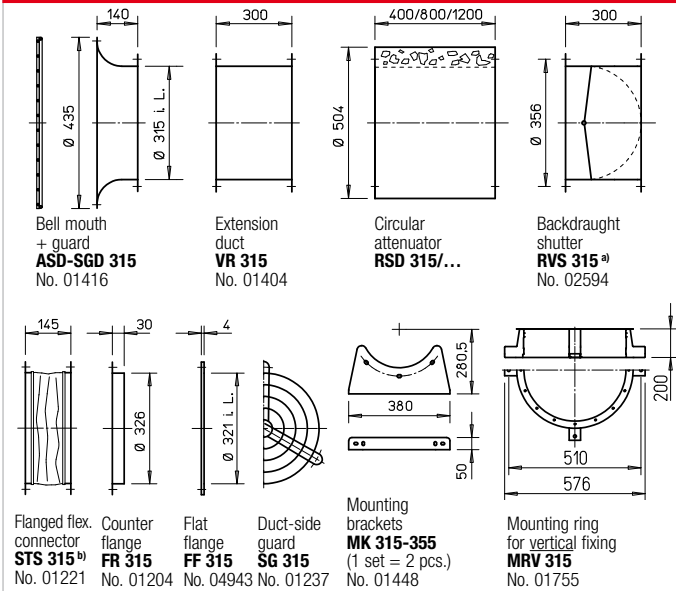
Double volume

Mounting package MP-P for parallel P unit

For arrangement of two identical fans side by side, for highest flow rates. Scope of delivery: Extension ducts, backdraught shutter, mounting rails (2 pcs. each), mounting brackets (4 pcs.) and assembly kits. Weight: 25 kg

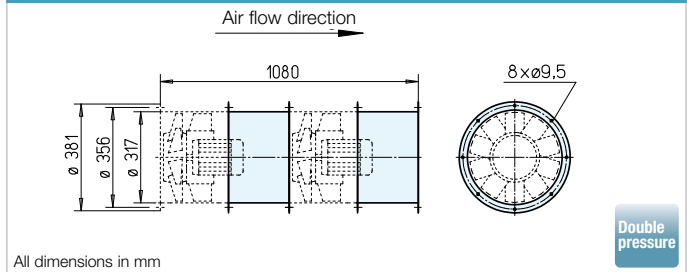
MP-P 315 Ref. no. 04887

Accessories for AMD / B AMD 315

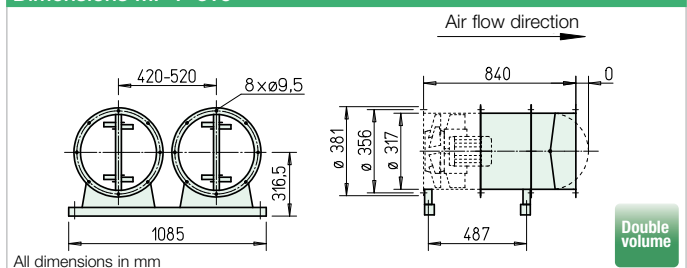


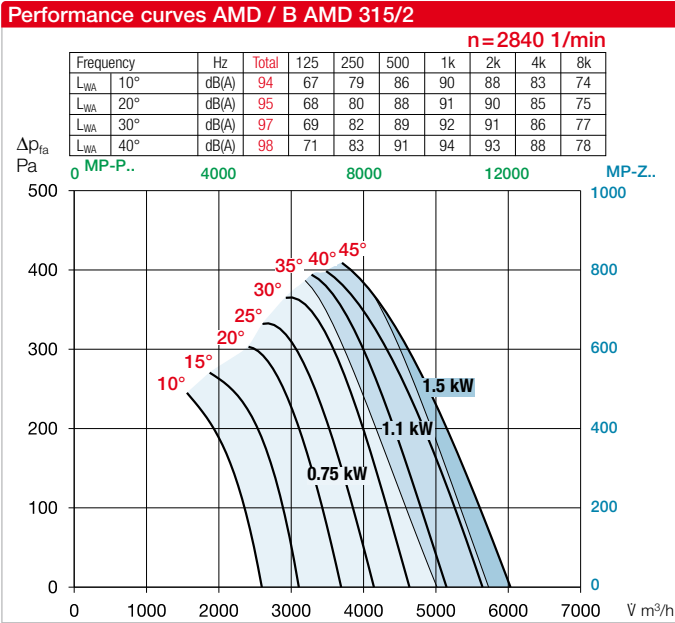
^{a)} Backdraught shutter, motorised, for ventilation, see main Helios catalogue. ^{b)} Type for B AMD: STSB 315 F400, No. 14738

Dimensions MP-Z 315



Dimensions MP-P 315





Information	Page
Techn. description	56
Project planning information	13 ff.
Special designs	
Special design with inspection open. (add. cost) upon request.	

Accessory details	Page
Mounting accessories	161 ff.
Attenuators	166 ff.
Gas warning systems, switch and control technology	168 ff.
Frequency inverters	178 ff.

Type	Ref. no.	Speed	Nominal motor power (output)	Nominal voltage	Nominal current	Dim. B motor protrusion	Wiring diagram	max. air flow temp. ¹⁾	Net weight approx.	Full motor protection or Smoke exhaust fan control system		Anti-vibration mounts ²⁾			
										Type	Ref. no.	Type	Ref. no.	Type	Ref. no.
60° Three phase motor, 400 V, 50 Hz, protection class IP55											Full motor protection				
AMD 315/2 0.75 kW	03053	2890	0.75	400	1.6	125	796	60	23	MSA	01289	SDD 1	01452	SDZ 1	01454
AMD 315/2 1.1 kW	03054	2890	1.1	400	2.3	125	796	60	25	MSA	01289	SDD 1	01452	SDZ 1	01454
AMD 315/2 1.5 kW	03055	2890	1.5	400	3.1	125	796	60	23	MSA	01289	SDD 1	01452	SDZ 1	01454
60° Pole-switching, 2 speed, three phase motor, Dahlander winding $\gamma/\gamma\gamma$, 400 V, 50 Hz, protection class IP55											Smoke exhaust fan control system				
AMD 315/4/2 0.17/0.75 kW	03056	1310/2835	0.17/0.75	400	0.8/1.9	125	777	60	27	—	—	SDD 1	01452	SDZ 1	01454
AMD 315/4/2 0.25/0.95 kW	03057	1340/2835	0.25/0.95	400	0.9/2.3	125	777	60	29	—	—	SDD 1	01452	SDZ 1	01454
F300 Three phase motor, 400 V, 50 Hz, protection class IP55											Smoke exhaust fan control system				
B AMD 315/2 0.75 kW F300	03332	2890	0.75	400	1.6	103	776	60/300	26	EVS-D 001	04594	SDD 1F	01942	SDZ 1F	01943
B AMD 315/2 1.1 kW F300	03333	2890	1.1	400	2.3	103	776	60/300	27	EVS-D 001	04594	SDD 1F	01942	SDZ 1F	01943
F300 Pole-switching, 2 speed, three phase motor, Dahlander winding $\gamma/\gamma\gamma$, 400 V, 50 Hz, protection class IP55											Smoke exhaust fan control system				
B AMD 315/4/2 0.2/0.8 kW F300	03335	1400/2820	0.2/0.8	400	0.6/1.9	103	777	60/300	26	EVS-DA 001	04548	SDD 1F	01942	SDZ 1F	01943
B AMD 315/4/2 0.25/1.1 kW F300	03336	1390/2810	0.25/1.1	400	0.8/2.5	103	777	60/300	27	EVS-DA 001	04548	SDD 1F	01942	SDZ 1F	01943
F400 Three phase motor, 400 V, 50 Hz, protection class IP55											Smoke exhaust fan control system				
B AMD 315/2 0.75 kW F400	03164	2890	0.75	400	1.6	103	776	60/400	26	EVS-D 001	04594	SDD 1F	01942	SDZ 1F	01943
B AMD 315/2 1.1 kW F400	03165	2890	1.1	400	2.3	103	776	60/400	27	EVS-D 001	04594	SDD 1F	01942	SDZ 1F	01943
F400 Pole-switching, 2 speed, three phase motor, Dahlander winding $\gamma/\gamma\gamma$, 400 V, 50 Hz, protection class IP55											Smoke exhaust fan control system				
B AMD 315/4/2 0.2/0.8 kW F400	03177	1400/2820	0.2/0.8	400	0.6/1.9	103	777	60/400	26	EVS-DA 001	04548	SDD 1F	01942	SDZ 1F	01943
B AMD 315/4/2 0.25/1.1 kW F400	03178	1390/2810	0.25/1.1	400	0.8/2.5	103	777	60/400	27	EVS-DA 001	04548	SDD 1F	01942	SDZ 1F	01943

The flow volume and pressure increase information is required to determine the pitch angle.
²⁾ For Z/P version due to higher total weight Type allocation according to tables on page 157.

¹⁾ For ventilation / smoke extraction (once 120 min.).