

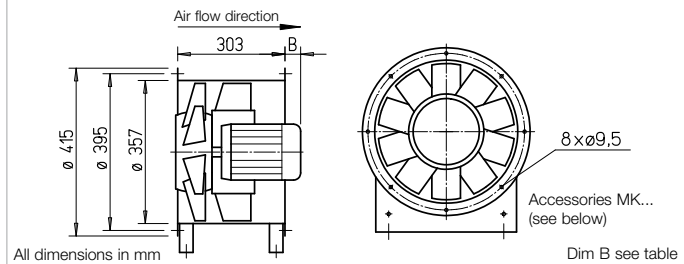
AMD / B AMD 355



Certification

The smoke ventilation fans B AMD have been tested according to DIN EN 12101-3. Certificate of performance reliability: F300: 0036-CPR-RG05-18 F400: 0036-CPR-RG05-19

Dimensions AMD / B AMD 355



Description, Installation, Casing, Air flow direction, etc. see page 46.

Impeller

- Hub and blades made from corrosion-resistant aluminium alloy. Ten aerodynamically profiled blades achieve the highest level of efficiency and pressure ratings together with the guide vane.
- Dynamically balanced, quality class 6.3 for low-vibration operation.
- Blades can be steplessly adjusted in the factory.

Motor

- Series AMD: Direct through efficient IE3 standard three phase motor. Pole-switching fans with IEC standard motor. Protection class IP55, insulation class F.

- Series B AMD: Direct through efficient IE3 three phase motor (smoke extraction motors F300 or F400). Pole-switching fans with IEC standard motor. Protection class IP55. Insulation class H. Fire-resistant external cable with sheathing.

Motor protrusion

For some types, the motor protrudes over the casing. Protrusion dimension B in mm must be observed according to the type table.

Motor protection

All types have PTC resistors from the terminal box. This must be bridged in smoke extraction mode for B AMD models.

Electrical connection

- Series AMD: Standard plastic terminal box (protection class IP55), mounted to outside of duct.
- Series B AMD: Standard aluminium die-cast terminal box (protection class IP55), mounted to outside of duct.

Air flow temperatures

- Series AMD: Suitable for supply and extract ventilation from -20 °C to +60 °C continuous temperature. Types for higher air flow temperatures upon request.
- Series B AMD: Like series AMD, but also for smoke extraction according to the temperature classification up to 300 °C/120 min. and 400 °C/120 min.

Double pressure

Mounting package MP-Z for two-stage Z unit

For arrangement of two identical fans in a row, for highest pressure ratings. Scope of delivery: Extension ducts (2 pcs.) and assembly kit. Weight: 8 kg

MP-Z 355 Ref. no. 04904

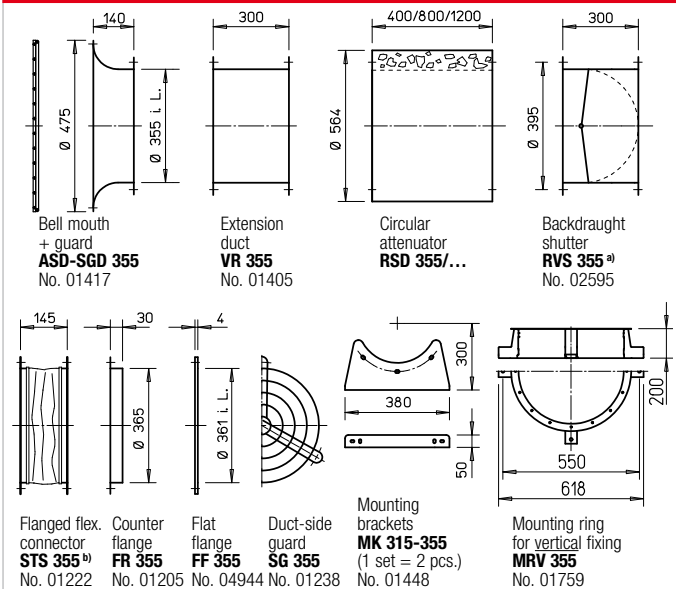
Double volume

Mounting package MP-P for parallel P unit

For arrangement of two identical fans side by side, for highest flow rates. Scope of delivery: Extension ducts, backdraught shutter, mounting rails (2 pcs. each), mounting brackets (4 pcs.) and assembly kits. Weight: 27 kg

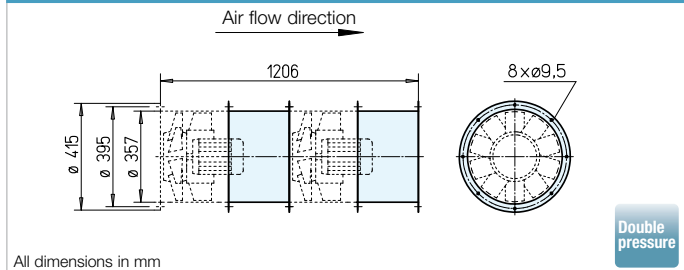
MP-P 355 Ref. no. 04888

Accessories for AMD / B AMD 355

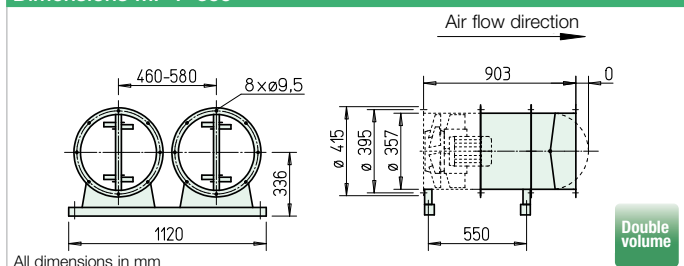


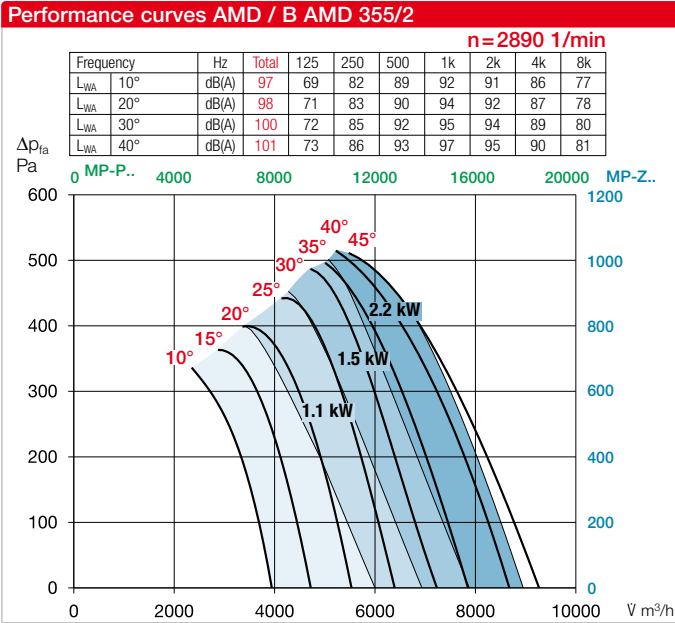
a) Backdraught shutter, motorised, for ventilation, see main Helios catalogue. b) Type for B AMD: STSB 355 F400, No. 14744

Dimensions MP-Z 355



Dimensions MP-P 355





Information	Page
Techn. description	56
Project planning information	13 ff.
Special designs	
Special design with inspection open. (add. cost) upon request.	

Accessory details	Page
Mounting accessories	161 ff.
Attenuators	166 ff.
Gas warning systems, switch and control technology	168 ff.
Frequency inverters	178 ff.

Type	Ref. no.	Speed	Nominal motor power (output)	Nominal voltage	Nominal current	Dim. B motor protrusion	Wiring diagram	max. air flow temp. ¹⁾	Net weight approx.	Full motor protection or Smoke exhaust fan control system	Anti-vibration mounts ²⁾				
											Pressure		Tensile		
		min ⁻¹	kW	V	A	mm	No.	+°C	kg	Type	Ref. no.	Type	Ref. no.	Type	Ref. no.
60° Three phase motor, 400 V, 50 Hz, protection class IP55											Full motor protection				
AMD 355/2 0.75 kW	03082	2890	0.75	400	1.6	70	796	60	26	MSA	01289	SDD 1	01452	SDZ 1	01454
AMD 355/2 1.1 kW	03083	2890	1.1	400	2.3	70	796	60	26	MSA	01289	SDD 1	01452	SDZ 1	01454
AMD 355/2 1.5 kW	03084	2890	1.5	400	3.1	90	796	60	32	MSA	01289	SDD 1	01452	SDZ 1	01454
AMD 355/2 2.2 kW	03085	2890	2.2	400	4.3	120	796	60	36	MSA	01289	SDD 1	01452	SDZ 1	01454
60° Pole-switching, 2 speed, three phase motor, Dahlander winding $\gamma/\gamma\gamma$, 400 V, 50 Hz, protection class IP55															
AMD 355/4/2 0.17/0.075 kW	03086	1310/2835	0.17/0.075	400	0.8/1.9	70	777	60	30	—		SDD 1	01452	SDZ 1	01454
AMD 355/4/2 0.25/0.95 kW	03087	1340/2835	0.25/0.95	400	0.9/2.3	70	777	60	32	—		SDD 1	01452	SDZ 1	01454
AMD 355/4/2 0.3/1.4 kW	03088	1340/2850	0.3/1.4	400	1.1/3.1	90	777	60	37	—		SDD 1	01452	SDZ 1	01454
AMD 355/4/2 0.4/1.9 kW	03093	1390/2850	0.4/1.9	400	1.5/4.2	120	777	60	40	—		SDD 1	01452	SDZ 1	01454
F300 Three phase motor, 400 V, 50 Hz, protection class IP55											Smoke exhaust fan control system				
B AMD 355/2 0.75 kW F300	03337	2890	0.75	400	1.6	59	776	60/300	29	EVS-D 001	04594	SDD 1F	01942	SDZ 1F	01943
B AMD 355/2 1.1 kW F300	03338	2890	1.1	400	2.3	59	776	60/300	30	EVS-D 001	04594	SDD 1F	01942	SDZ 1F	01943
B AMD 355/2 1.5 kW F300	03339	2890	1.5	400	3.1	59	776	60/300	35	EVS-D 001	04594	SDD 1F	01942	SDZ 1F	01943
B AMD 355/2 2.2 kW F300	03340	2890	2.2	400	4.3	68	776	60/300	37	EVS-D 001	04594	SDD 1F	01942	SDZ 1F	01943
F300 Pole-switching, 2 speed, three phase motor, Dahlander winding $\gamma/\gamma\gamma$, 400 V, 50 Hz, protection class IP55															
B AMD 355/4/2 0.2/0.8 kW F300	03342	1400/2820	0.2/0.8	400	0.6/1.9	59	777	60/300	29	EVS-DA 001	04548	SDD 1F	01942	SDZ 1F	01943
B AMD 355/4/2 0.25/1.1 kW F300	03343	1390/2810	0.25/1.1	400	0.8/2.5	59	777	60/300	30	EVS-DA 001	04548	SDD 1F	01942	SDZ 1F	01943
B AMD 355/4/2 0.37/1.5 kW F300	03344	1430/2875	0.37/1.5	400	1.2/3.6	68	777	60/300	35	EVS-DA 001	04548	SDD 1F	01942	SDZ 1F	01943
B AMD 355/4/2 0.5/2.2 kW F300	03345	1420/2845	0.5/2.2	400	1.5/4.6	93	777	60/300	37	EVS-DA 001	04548	SDD 1F	01942	SDZ 1F	01943
F400 Three phase motor, 400 V, 50 Hz, protection class IP55															
B AMD 355/2 0.75 kW F400	03179	2890	0.75	400	1.6	59	776	60/400	29	EVS-D 001	04594	SDD 1F	01942	SDZ 1F	01943
B AMD 355/2 1.1 kW F400	03180	2890	1.1	400	2.3	59	776	60/400	30	EVS-D 001	04594	SDD 1F	01942	SDZ 1F	01943
B AMD 355/2 1.5 kW F400	03181	2890	1.5	400	3.1	59	776	60/400	34	EVS-D 001	04594	SDD 1F	01942	SDZ 1F	01943
B AMD 355/2 2.2 kW F400	03182	2890	2.2	400	4.3	68	776	60/400	36	EVS-D 001	04594	SDD 1F	01942	SDZ 1F	01943
F400 Pole-switching, 2 speed, three phase motor, Dahlander winding $\gamma/\gamma\gamma$, 400 V, 50 Hz, protection class IP55															
B AMD 355/4/2 0.2/0.8 kW F400	03183	1400/2820	0.2/0.8	400	0.6/1.9	59	777	60/400	29	EVS-DA 001	04548	SDD 1F	01942	SDZ 1F	01943
B AMD 355/4/2 0.25/1.1 kW F400	03184	1390/2810	0.25/1.1	400	0.8/2.5	59	777	60/400	30	EVS-DA 001	04548	SDD 1F	01942	SDZ 1F	01943
B AMD 355/4/2 0.37/1.5 kW F400	03185	1430/2875	0.37/1.5	400	1.2/3.6	68	777	60/400	35	EVS-DA 001	04548	SDD 1F	01942	SDZ 1F	01943
B AMD 355/4/2 0.5/2.2 kW F400	03186	1420/2845	0.5/2.2	400	1.5/4.6	93	777	60/400	37	EVS-DA 001	04548	SDD 1F	01942	SDZ 1F	01943

The flow volume and pressure increase information is required to determine the pitch angle.
²⁾ For Z/P version due to higher total weight Type allocation according to tables on page 157.

¹⁾ For ventilation / smoke extraction (once 120 min.).