

AMD / B AMD 400



Description, Installation, Casing, Air flow direction, etc. see page 46.

Impeller

- Hub and blades made from corrosion-resistant aluminium alloy. Ten aerodynamically profiled blades achieve the highest level of efficiency and pressure ratings together with the guide vane.
- Dynamically balanced, quality class 6.3 for low-vibration operation.
- Blades can be steplessly adjusted in the factory.

Motor

- Series AMD: Direct through efficient IE3 standard three phase motor. Pole-switching fans with IEC standard motor. Protection class IP55, insulation class F.

- Series B AMD: Direct through efficient IE3 three phase motor (smoke extraction motors F300 or F400). Pole-switching fans with IEC standard motor. Protection class IP55. Insulation class H. Fire-resistant external cable with sheathing.

Motor protrusion

For some types, the motor protrudes over the casing. Protrusion dimension B in mm must be observed according to the type table.

Motor protection

All types have PTC resistors from the terminal box. This must be bridged in smoke extraction mode for B AMD models.

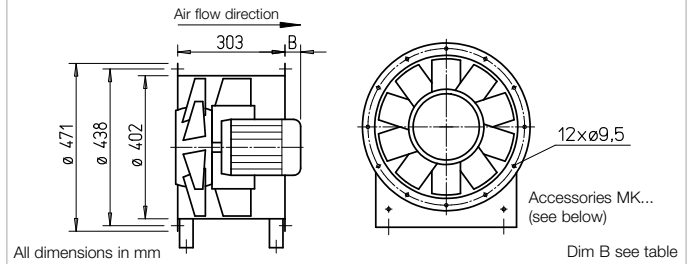
Certification

The smoke ventilation fans B AMD have been tested according to DIN EN 12101-3. Certificate of performance reliability: F300: 0036-CPR-RG05-18 F400: 0036-CPR-RG05-19

Information Page

Techn. description	56
Project planning information	13 ff.
Special designs	
Special design with inspection open. (add. cost) upon request.	

Dimensions AMD / B AMD 400



Electrical connection

- Series AMD: Standard plastic terminal box (protection class IP55), mounted to outside of duct.
- Series B AMD: Standard aluminium die-cast terminal box (protection class IP55), mounted to outside of duct.

Air flow temperatures

- Series AMD: Suitable for supply and extract ventilation from -20 °C to +60 °C continuous temperature. Types for higher air flow temperatures upon request.
- Series B AMD: Like series AMD, but also for smoke extraction according to the temperature classification up to 300 °C/120 min. and 400 °C/120 min.

Mounting package MP-Z for two-stage Z unit

For arrangement of two identical fans in a row, for highest pressure ratings. Scope of delivery: Extension ducts (2 pcs.) and assembly kit. Weight: 12 kg

Mounting package MP-P for parallel P unit

For arrangement of two identical fans side by side, for highest flow rates. Scope of delivery: Extension ducts, backdraught shutter, mounting rails (2 pcs. each), mounting brackets (4 pcs.) and assembly kits. Weight: 35 kg

Double pressure

Mounting package MP-Z for two-stage Z unit
 For arrangement of two identical fans in a row, for highest pressure ratings. Scope of delivery: Extension ducts (2 pcs.) and assembly kit. Weight: 12 kg

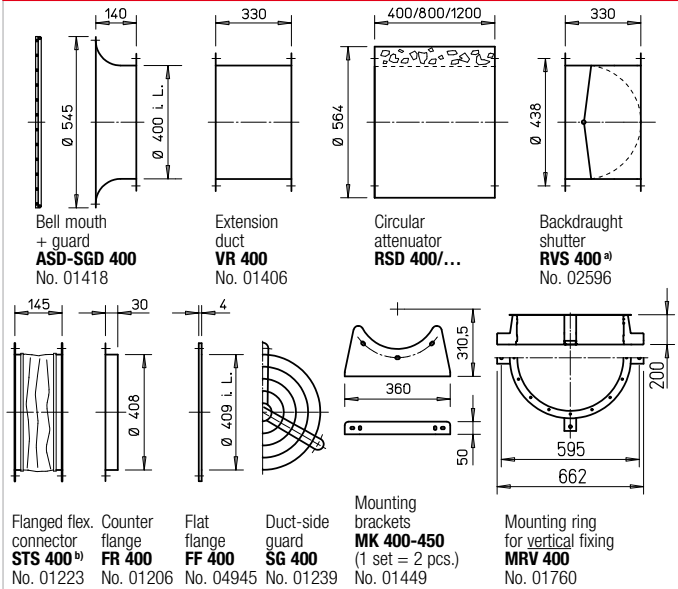
MP-Z 400 Ref. no. 04905

Double volume

Mounting package MP-P for parallel P unit
 For arrangement of two identical fans side by side, for highest flow rates. Scope of delivery: Extension ducts, backdraught shutter, mounting rails (2 pcs. each), mounting brackets (4 pcs.) and assembly kits. Weight: 35 kg

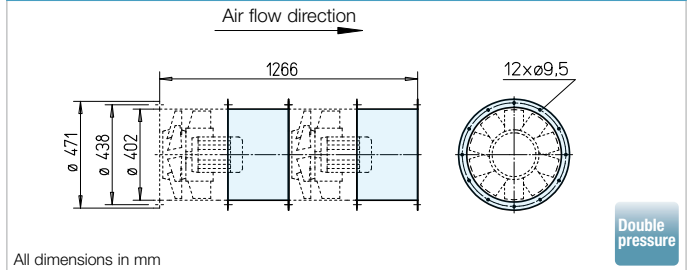
MP-P 400 Ref. no. 04889

Accessories for AMD / B AMD 400

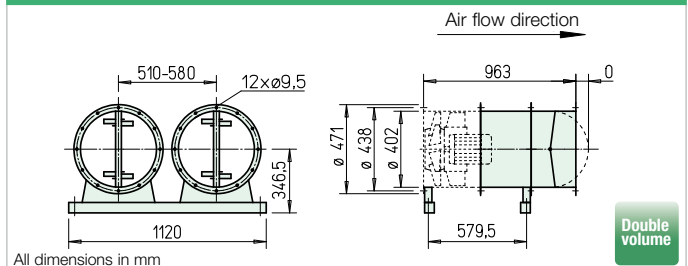


^{a)} Backdraught shutter, motorised, for ventilation, see main Helios catalogue. ^{b)} Type for B AMD: STSB 400 F400, No. 14743

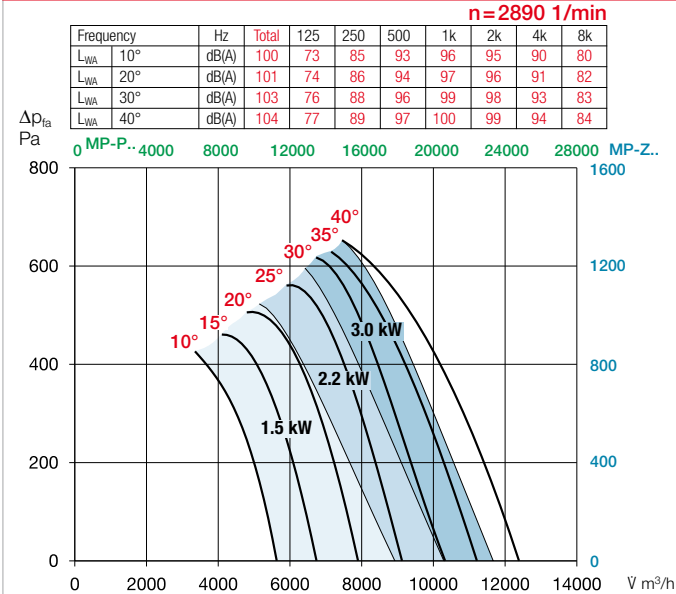
Dimensions MP-Z 400



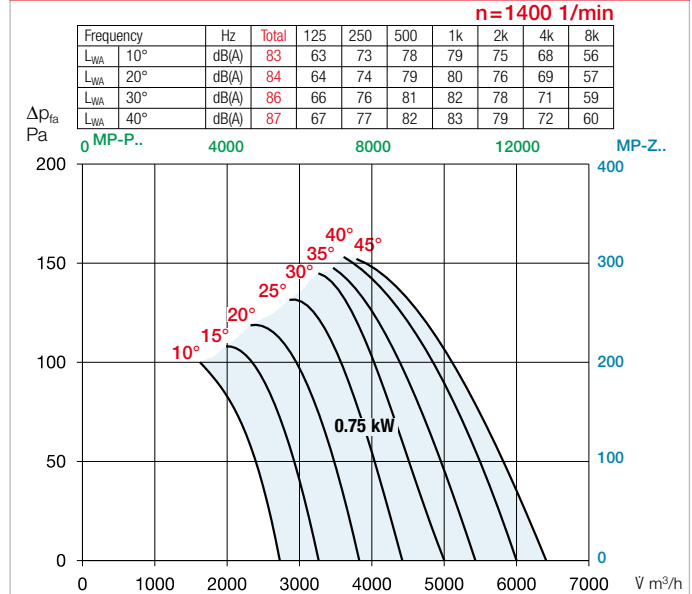
Dimensions MP-P 400



Performance curves AMD / B AMD 400/2



Performance curves AMD / B AMD 400/4



Information	Page	Accessory details	Page
Techn. description	56	Mounting accessories	161 ff.
Project planning information	13 ff.	Attenuators	166 ff.
Special designs		Gas warning systems, switch and control technology	168 ff.
Special design with inspection open. (add. cost) upon request.		Frequency inverters	178 ff.

Type	Ref. no.	Speed	Nominal motor power (output)	Nominal voltage	Nominal current	Dim. B motor protrusion	Wiring diagram	max. air flow temp. ¹⁾	Net weight approx.	Full motor protection or Smoke exhaust fan control system	Anti-vibration mounts ²⁾			
											Pressure	Tensile	Type	Ref. no.
											Type	Ref. no.	Type	Ref. no.
60° Three phase motor, 400 V, 50 Hz, protection class IP55											Full motor protection			
AMD 400/4 0.75 kW	03102	1430	0.75	400	1.8	80	796	60	32	MSA 01289	SDD 1	01452	SDZ 1	01454
AMD 400/2 1.5 kW	03098	2890	1.5	400	3.1	130	796	60	35	MSA 01289	SDD 1	01452	SDZ 1	01454
AMD 400/2 2.2 kW	03099	2890	2.2	400	4.3	150	796	60	39	MSA 01289	SDD 1	01452	SDZ 1	01454
AMD 400/2 3 kW	03100	2895	3	400 ⁴⁾	5.7	200	776	60	46	MSA 01289	SDD 1 ³⁾	01452	SDZ 1 ³⁾	01454
60° Pole-switching, 2 speed, three phase motor, Dahlander winding $\gamma/\gamma\gamma$, 400 V, 50 Hz, protection class IP55											Smoke exhaust fan control system			
AMD 400/4/2 0.4/1.9 kW	03101	1390/2850	0.4/1.9	400	1.5/4.2	130	777	60	43	—	SDD 1	01452	SDZ 1	01454
AMD 400/4/2 0.65/2.5 kW	03104	1380/2855	0.65/2.5	400	2.0/5.0	170	777	60	46	—	SDD 1 ³⁾	01452	SDZ 1 ³⁾	01454
AMD 400/4/2 0.8/3.1 kW	03105	1380/2860	0.8/3.1	400	2.1/6.1	170	777	60	46	—	SDD 1 ³⁾	01452	SDZ 1 ³⁾	01454
F300 Three phase motor, 400 V, 50 Hz, protection class IP55											Smoke exhaust fan control system			
B AMD 400/4 0.75 kW F300	03350	1430	0.75	400	1.8	59	776	60/300	34	EVS-D 001 04594	SDD 1F	01942	SDZ 1F	01943
B AMD 400/2 1.5 kW F300	03346	2890	1.5	400	3.1	78	776	60/300	38	EVS-D 001 04594	SDD 1F	01942	SDZ 1F	01943
B AMD 400/2 2.2 kW F300	03347	2890	2.2	400	4.3	103	776	60/300	40	EVS-D 001 04594	SDD 1F ³⁾	01942	SDZ 1F ³⁾	01943
B AMD 400/2 3 kW F300	03348	2895	3	400 ⁴⁾	5.7	139	776	60/300	49	EVS-SD 001 04586	SDD 1F ³⁾	01942	SDZ 1F ³⁾	01943
F300 Pole-switching, 2 speed, three phase motor, Dahlander winding $\gamma/\gamma\gamma$, 400 V, 50 Hz, protection class IP55											Smoke exhaust fan control system			
B AMD 400/4/2 0.37/1.5 kW F300	03349	1430/2875	0.37/1.5	400	1.2/3.6	78	777	60/300	38	EVS-DA 001 04548	SDD 1F	01942	SDZ 1F	01943
B AMD 400/4/2 0.5/2.2 kW F300	03351	1420/2845	0.5/2.2	400	1.5/4.6	103	777	60/300	40	EVS-DA 001 04548	SDD 1F ³⁾	01942	SDZ 1F ³⁾	01943
B AMD 400/4/2 0.8/3.1 kW F300	03352	1430/2890	0.8/3.1	400	2.0/6.2	139	777	60/300	51	EVS-DA 001 04548	SDD 1F ³⁾	01942	SDZ 1F ³⁾	01943
F400 Three phase motor, 400 V, 50 Hz, protection class IP55											Smoke exhaust fan control system			
B AMD 400/4 0.75 kW F400	03195	1430	0.75	400	1.8	59	776	60/400	33	EVS-D 001 04594	SDD 1F	01942	SDZ 1F	01943
B AMD 400/2 1.5 kW F400	03188	2890	1.5	400	3.1	78	776	60/400	39	EVS-D 001 04594	SDD 1F	01942	SDZ 1F	01943
B AMD 400/2 2.2 kW F400	03189	2890	2.2	400	4.3	103	776	60/400	39	EVS-D 001 04594	SDD 1F	01942	SDZ 1F	01943
B AMD 400/2 3 kW F400	03190	2895	3	400 ⁴⁾	5.7	139	776	60/400	52	EVS-SD 001 04586	SDD 1F ³⁾	01942	SDZ 1F ³⁾	01943
F400 Pole-switching, 2 speed, three phase motor, Dahlander winding $\gamma/\gamma\gamma$, 400 V, 50 Hz, protection class IP55											Smoke exhaust fan control system			
B AMD 400/4/2 0.37/1.5 kW F400	03191	1430/2875	0.37/1.5	400	1.2/3.6	78	777	60/400	40	EVS-DA 001 04548	SDD 1F	01942	SDZ 1F	01943
B AMD 400/4/2 0.5/2.2 kW F400	03196	1420/2845	0.5/2.2	400	1.5/4.6	102	777	60/400	45	EVS-DA 001 04548	SDD 1F	01942	SDZ 1F	01943
B AMD 400/4/2 0.8/3.1 kW F400	03197	1430/2890	0.8/3.1	400	2.0/6.2	139	777	60/400	51	EVS-DA 001 04548	SDD 1F ³⁾	01942	SDZ 1F ³⁾	01943

The flow volume and pressure increase information is required to determine the pitch angle.
²⁾ For Z/P version due to higher total weight Type allocation according to tables on page 157.

¹⁾ For ventilation / smoke extraction (once 120 min.).

³⁾ Extension duct VR.. required over the motor protrusion.

⁴⁾ γ/Δ start-up.