

AMD / B AMD 500



Description, Installation, Casing, Air flow direction, etc. see page 46.

Impeller

- Hub and blades made from corrosion-resistant aluminium alloy. Ten aerodynamically profiled blades achieve the highest level of efficiency and pressure ratings together with the guide vane.
- Dynamically balanced, quality class 6.3 for low-vibration operation.
- Blades can be steplessly adjusted in the factory.

Motor

- Series AMD: Direct through efficient IE3 standard three phase motor. Pole-switching fans with IEC standard motor. Protection class IP55, insulation class F.

- Series B AMD: Direct through efficient IE3 three phase motor (smoke extraction motors F300 or F400). Pole-switching fans with IEC standard motor. Protection class IP55. Insulation class H. Fire-resistant external cable with sheathing.

Motor protrusion

For some types, the motor protrudes over the casing. Protrusion dimension B in mm must be observed according to the type table.

Motor protection

All types have PTC resistors from the terminal box. This must be bridged in smoke extraction mode for B AMD models.

Certification

The smoke ventilation fans B AMD have been tested according to DIN EN 12101-3. Certificate of performance reliability: F300: 0036-CPR-RG05-18 F400: 0036-CPR-RG05-19

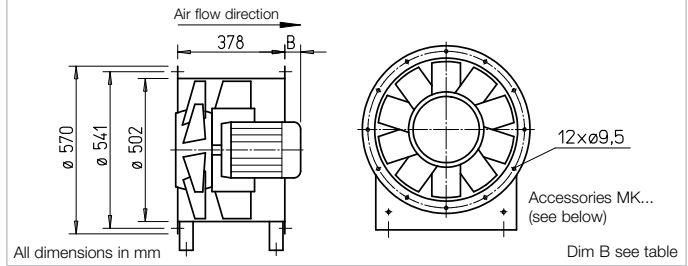
Information Page

Techn. description	56
Project planning information	13 ff.

Special designs

Special design with inspection open. (add. cost) upon request.

Dimensions AMD / B AMD 500



Electrical connection

- Series AMD: Standard plastic terminal box (protection class IP55), mounted to outside of duct.
- Series B AMD: Standard aluminium die-cast terminal box (protection class IP55), mounted to outside of duct.

Air flow temperatures

- Series AMD: Suitable for supply and extract ventilation from -20 °C to +60 °C continuous temperature. Types for higher air flow temperatures upon request.
- Series B AMD: Like series AMD, but also for smoke extraction according to the temperature classification up to 300 °C/120 min. and 400 °C/120 min.

Double pressure

Mounting package MP-Z for two-stage Z unit

For arrangement of two identical fans in a row, for highest pressure ratings. Scope of delivery: Extension ducts (2 pcs.) and assembly kit. Weight: 15 kg

MP-Z 500

Ref. no. 04907

Double volume

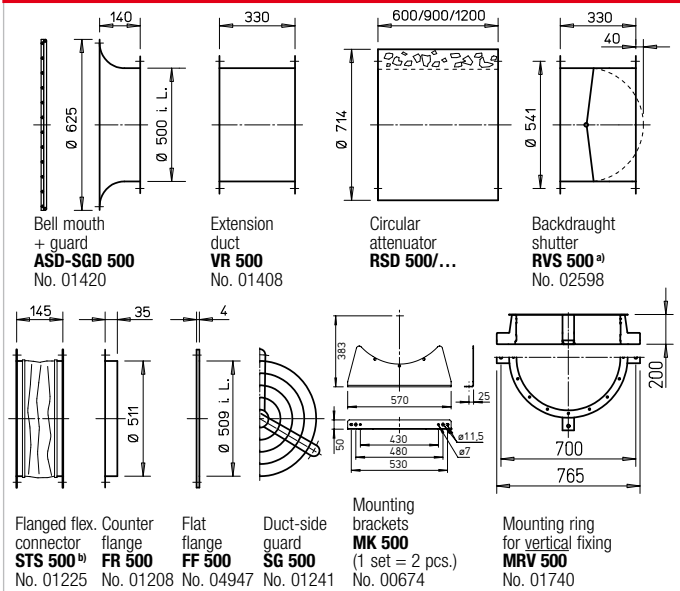
Mounting package MP-P for parallel P unit

For arrangement of two identical fans side by side, for highest flow rates. Scope of delivery: Extension ducts, backdraught shutter, mounting rails (2 pcs. each), mounting brackets (4 pcs.) and assembly kits. Weight: 55 kg

MP-P 500

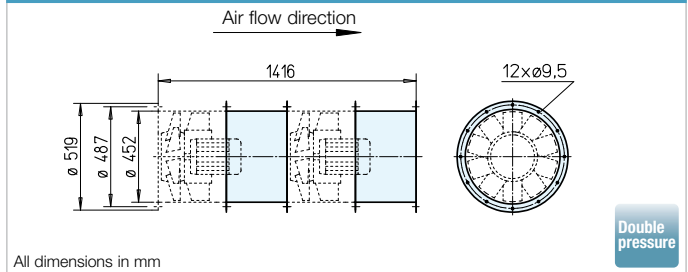
Ref. no. 04891

Accessories for AMD / B AMD 500

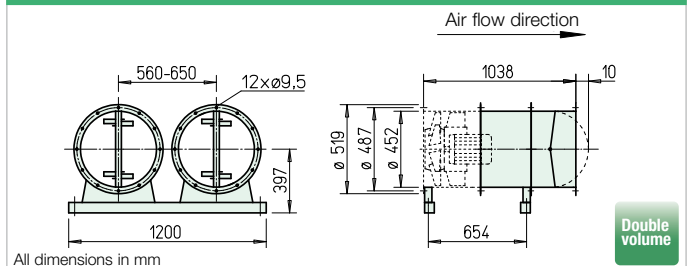


^{a)} Backdraught shutter, motorised, for ventilation, see main Helios catalogue. ^{b)} Type for B AMD: STSB 500 F400, No. 01915

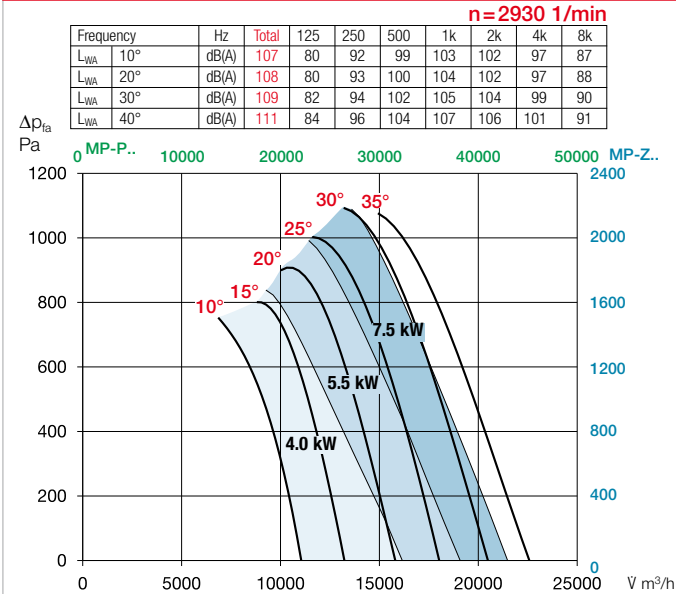
Dimensions MP-Z 500



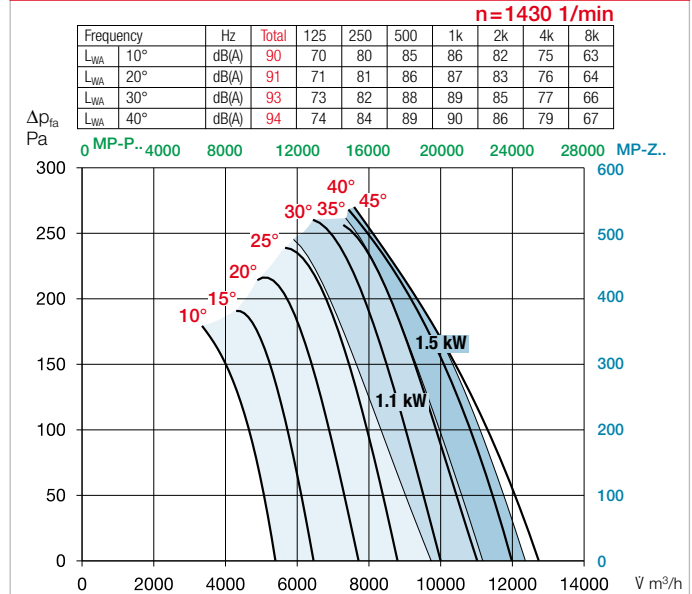
Dimensions MP-P 500



Performance curves AMD / B AMD 500/2



Performance curves AMD / B AMD 500/4



Type	Ref. no.	Speed	Nominal motor power (output)	Nominal voltage	Nominal current	Dim. B motor protrusion	Wiring diagram	max. air flow temp. ¹⁾	Net weight approx.	Full motor protection or Smoke exhaust fan control system		Anti-vibration mounts ²⁾			
										Type	Ref. no.	Pressure		Tensile	
		min ⁻¹	kW	V	A	mm	No.	+°C	kg			Type	Ref. no.	Type	Ref. no.
60° Three phase motor, 400 V, 50 Hz, protection class IP55															
AMD 500/4 0.75 kW												Full motor protection			
AMD 500/4 1.1 kW												MSA 01289			
AMD 500/4 1.5 kW												MSA 01289			
AMD 500/2 4 kW												MSA 01289			
AMD 500/2 5.5 kW												MSA 01289			
AMD 500/2 7.5 kW												MSA 01289			
60° Pole-switching, 2 speed, three phase motor, Dahlander winding Y/YY, 400 V, 50 Hz, protection class IP55															
AMD 500/8/4 0.22/1.0 kW												—			
AMD 500/8/4 0.3/1.5 kW												—			
AMD 500/4/2 1.4/5.9 kW												—			
AMD 500/4/2 2.0/8.0 kW												—			
F300 Three phase motor, 400 V, 50 Hz, protection class IP55												Smoke exhaust fan control system			
B AMD 500/4 0.75 kW F300												EVS-D 001 04594			
B AMD 500/4 1.1 kW F300												EVS-D 001 04594			
B AMD 500/4 1.5 kW F300												EVS-D 001 04594			
B AMD 500/2 4 kW F300												EVS-SD 001 04586			
B AMD 500/2 5.5 kW F300												EVS-SD 002 04585			
B AMD 500/2 7.5 kW F300												EVS-SD 003 04584			
F300 Pole-switching, 2 speed, three phase motor, Dahlander winding Y/YY, 400 V, 50 Hz, protection class IP55															
B AMD 500/8/4 0.3/1.2 kW F300												EVS-DA 001 04548			
B AMD 500/8/4 0.55/2.2 kW F300												EVS-DA 001 04548			
B AMD 500/4/2 1.1/4.4 kW F300												EVS-DA 053 04192			
B AMD 500/4/2 2.0/8.0 kW F300												EVS-DA 054 04194			
F400 Three phase motor, 400 V, 50 Hz, protection class IP55															
B AMD 500/4 0.75 kW F400												EVS-D 001 04594			
B AMD 500/4 1.1 kW F400												EVS-D 001 04594			
B AMD 500/4 1.5 kW F400												EVS-D 001 04594			
B AMD 500/2 4 kW F400												EVS-SD 001 04586			
B AMD 500/2 5.5 kW F400												EVS-SD 002 04585			
B AMD 500/2 7.5 kW F400												EVS-SD 003 04584			
F400 Pole-switching, 2 speed, three phase motor, Dahlander winding Y/YY, 400 V, 50 Hz, protection class IP55															
B AMD 500/8/4 0.3/1.2 kW F400												EVS-DA 001 04548			
B AMD 500/8/4 0.55/2.2 kW F400												EVS-DA 001 04548			
B AMD 500/4/2 1.1/4.4 kW F400												EVS-DA 053 04192			
B AMD 500/4/2 2.0/8.0 kW F400												EVS-DA 054 04194			

The flow volume and pressure increase information is required to determine the pitch angle.
²⁾ For Z/P version due to higher total weight Type allocation according to tables on page 157.
⁴⁾ Extension duct VR.. required over the motor protrusion.

¹⁾ For ventilation / smoke extraction (once 120 min.).
³⁾ Y/Δ start-up.