

AMD / B AMD 560



Description, Installation, Casing, Air flow direction, etc. see page 46.

Impeller

- Hub and blades made from corrosion-resistant aluminium alloy. Ten aerodynamically profiled blades achieve the highest level of efficiency and pressure ratings together with the guide vane.
- Dynamically balanced, quality class 6.3 for low-vibration operation.
- Blades can be steplessly adjusted in the factory.

Motor

- Series AMD: Direct through efficient IE3 standard three phase motor. Pole-switching fans with IEC standard motor. Protection class IP55, insulation class F.

- Series B AMD: Direct through efficient IE3 three phase motor (smoke extraction motors F300 or F400). Pole-switching fans with IEC standard motor. Protection class IP55. Insulation class H. Fire-resistant external cable with sheathing.

Motor protrusion

For some types, the motor protrudes over the casing. Protrusion dimension B in mm must be observed according to the type table.

Motor protection

All types have PTC resistors from the terminal box. This must be bridged in smoke extraction mode for B AMD models.

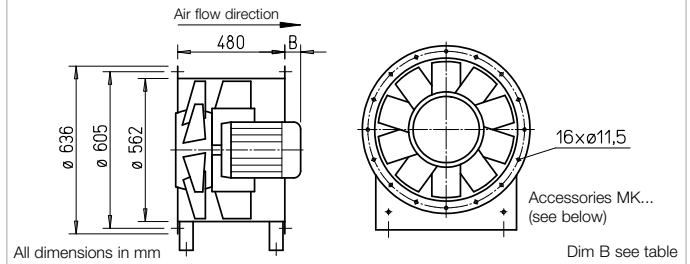
Certification

The smoke ventilation fans B AMD have been tested according to DIN EN 12101-3. Certificate of performance reliability: F300: 0036-CPR-RG05-18 F400: 0036-CPR-RG05-19

Information Page

Techn. description	56
Project planning information	13 ff.
Special designs	
Special design with inspection open. (add. cost) upon request.	

Dimensions AMD / B AMD 560



Description, Installation, Casing, Air flow direction, etc. see page 46.

Impeller

- Hub and blades made from corrosion-resistant aluminium alloy. Ten aerodynamically profiled blades achieve the highest level of efficiency and pressure ratings together with the guide vane.
- Dynamically balanced, quality class 6.3 for low-vibration operation.
- Blades can be steplessly adjusted in the factory.

Motor

- Series AMD: Direct through efficient IE3 standard three phase motor. Pole-switching fans with IEC standard motor. Protection class IP55, insulation class F.

- Series B AMD: Direct through efficient IE3 three phase motor (smoke extraction motors F300 or F400). Pole-switching fans with IEC standard motor. Protection class IP55. Insulation class H. Fire-resistant external cable with sheathing.

Motor protrusion

For some types, the motor protrudes over the casing. Protrusion dimension B in mm must be observed according to the type table.

Motor protection

All types have PTC resistors from the terminal box. This must be bridged in smoke extraction mode for B AMD models.

Electrical connection

- Series AMD: Standard plastic terminal box (protection class IP55), mounted to outside of duct.
- Series B AMD: Standard aluminium die-cast terminal box (protection class IP55), mounted to outside of duct.

Air flow temperatures

- Series AMD: Suitable for supply and extract ventilation from -20 °C to +60 °C continuous temperature. Types for higher air flow temperatures upon request.
- Series B AMD: Like series AMD, but also for smoke extraction according to the temperature classification up to 300 °C/120 min. and 400 °C/120 min.

Double pressure

Mounting package MP-Z for two-stage Z unit

For arrangement of two identical fans in a row, for highest pressure ratings. Scope of delivery: Extension ducts (2 pcs.) and assembly kit. Weight: 32 kg

MP-Z 560

Ref. no. 04908

Double volume

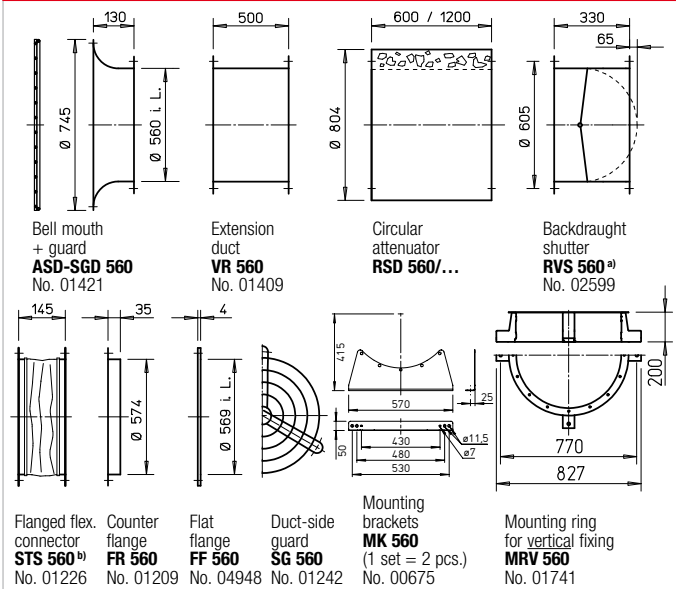
Mounting package MP-P for parallel P unit

For arrangement of two identical fans side by side, for highest flow rates. Scope of delivery: Extension ducts, backdraught shutter, mounting rails (2 pcs. each), mounting brackets (4 pcs.) and assembly kits. Weight: 82 kg

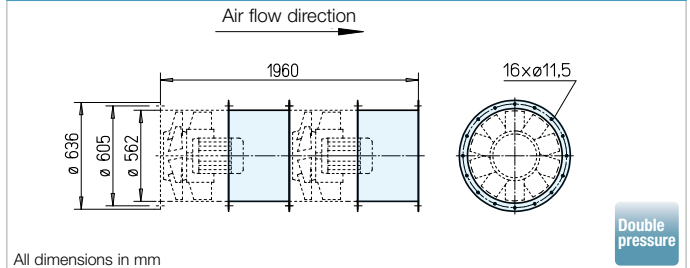
MP-P 560

Ref. no. 04892

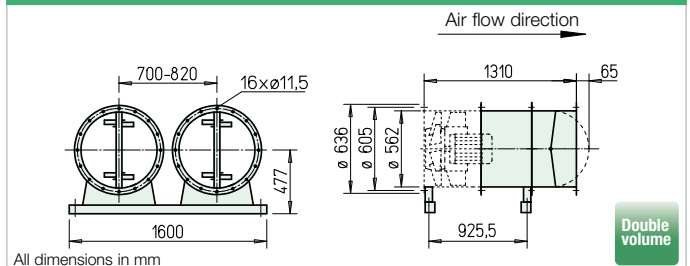
Accessories for AMD / B AMD 560



Dimensions MP-Z 560

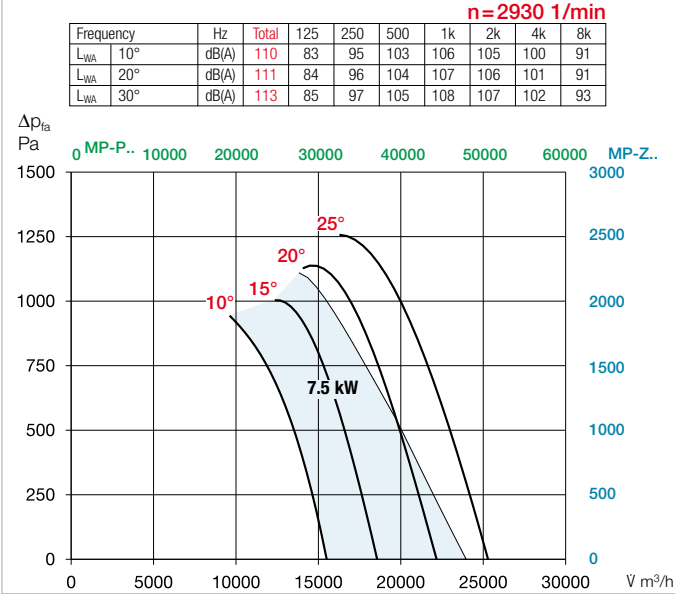


Dimensions MP-P 560

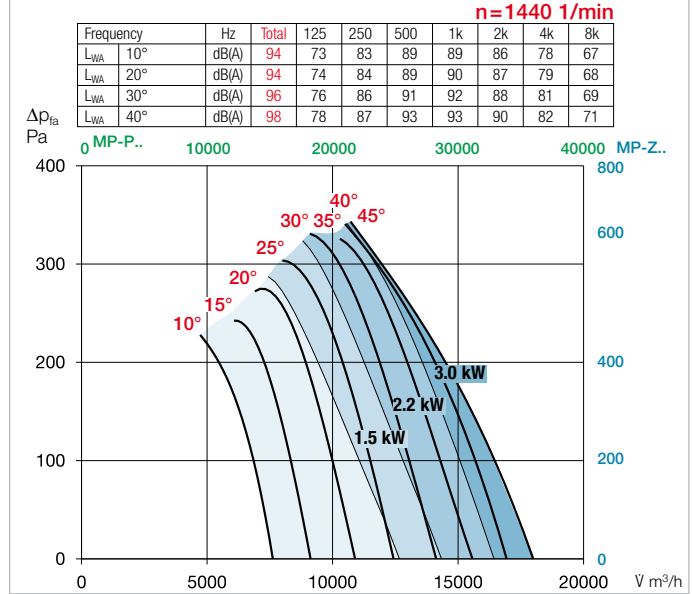


^{a)} Backdraught shutter, motorised, for ventilation, see main Helios catalogue. ^{b)} Type for B AMD: STSB 560 F400, No. 01916

Performance curves AMD / B AMD 560/2



Performance curves AMD / B AMD 560/4



Type	Ref. no.	Speed	Nominal motor power (output)	Nominal voltage	Nominal current	Dim. B motor protrusion	Wiring diagram	max. air flow temp. ¹⁾	Net weight approx.	Full motor protection or Smoke exhaust fan control system		Anti-vibration mounts ²⁾			
										Type	Ref. no.	Type	Ref. no.	Type	Ref. no.
60° Three phase motor, 400 V, 50 Hz, protection class IP55												Full motor protection			
AMD 560/4 1.1 kW	03281	1440	1.1	400	2.5	0	796	60	61	MSA	01289	SDD 1	01452	SDZ 2	01455
AMD 560/4 1.5 kW	03282	1440	1.5	400	3.3	0	796	60	64	MSA	01289	SDD 1	01452	SDZ 2	01455
AMD 560/4 2.2 kW	03285	1455	2.2	400	4.5	40	796	60	74	MSA	01289	SDD 1	01452	SDZ 2	01455
AMD 560/4 3 kW	03286	1455	3	400 ³⁾	6.0	40	776	60	80	MSA	01289	SDD 2	01453	SDZ 2	01455
AMD 560/2 7.5 kW	03279	2930	7.5	400 ³⁾	14.1	100	776	60	123	MSA	01289	SDD 2	01453	SDZ 2	01455
60° Pole-switching, 2 speed, three phase motor, Dahlander winding $\gamma/\gamma\gamma$, 400 V, 50 Hz, protection class IP55															
AMD 560/8/4 0.55/2.0 kW	03272	680/1410	0.55/2.0	400	2.0/4.5	0	777	60	79	—	—	SDD 2	01453	SDZ 2	01455
AMD 560/8/4 0.65/2.4 kW	03290	680/1410	0.65/2.4	400	2.5/5.5	40	777	60	79	—	—	SDD 2	01453	SDZ 2	01455
AMD 560/4/2 2.0/8.0 kW	03287	1410/2900	2.0/8.0	400	4.7/14.9	100	777	60	149	—	—	SDD 2	01453	SDZ 2	01455
F300 Three phase motor, 400 V, 50 Hz, protection class IP55												Smoke exhaust fan control system			
B AMD 560/4 1.1 kW F300	03391	1440	1.1	400	2.5	0	776	60/300	65	EVS-D 001	04594	SDD 1F	01942	SDZ 1F	01943
B AMD 560/4 1.5 kW F300	03392	1440	1.5	400	3.3	0	776	60/300	68	EVS-D 001	04594	SDD 1F	01942	SDZ 1F	01943
B AMD 560/4 2.2 kW F300	03393	1455	2.2	400	4.5	0	776	60/300	74	EVS-D 001	04594	SDD 1F	01942	SDZ 1F	01943
B AMD 560/4 3 kW F300	03394	1455	3	400 ³⁾	6.0	12	776	60/300	77	EVS-SD 001	04586	SDD 4	01944	SDZ 4	01945
B AMD 560/2 7.5 kW F300	03389	2930	7.5	400 ³⁾	14.1	67	776	60/300	140	EVS-SD 003	04584	SDD 5	01924	SDZ 5	01925
F300 Pole-switching, 2 speed, three phase motor, Dahlander winding $\gamma/\gamma\gamma$, 400 V, 50 Hz, protection class IP55															
B AMD 560/8/4 0.4/1.6 kW F300	03396	700/1440	0.4/1.6	400	1.7/4.0	0	777	60/300	67	EVS-DA 001	04548	SDD 1F	01942	SDZ 1F	01943
B AMD 560/8/4 0.55/2.2 kW F300	03397	700/1430	0.55/2.2	400	2.0/4.8	12	777	60/300	74	EVS-DA 001	04548	SDD 1F	01942	SDZ 1F	01943
B AMD 560/8/4 0.7/2.8 kW F300	03398	710/1440	0.7/2.8	400	2.5/6.0	12	777	60/300	77	EVS-DA 001	04548	SDD 4	01944	SDZ 4	01945
B AMD 560/4/2 2.0/8.0 kW F300	03395	1470/2930	2.0/8.0	400	4.8/15.3	105	777	60/300	138	EVS-DA 054	04194	SDD 5	01924	SDZ 5	01925
F400 Three phase motor, 400 V, 50 Hz, protection class IP55															
B AMD 560/4 1.1 kW F400	03222	1440	1.1	400	2.5	0	776	60/400	66	EVS-D 001	04594	SDD 1F	01942	SDZ 1F	01943
B AMD 560/4 1.5 kW F400	03223	1440	1.5	400	3.3	0	776	60/400	68	EVS-D 001	04594	SDD 1F	01942	SDZ 1F	01943
B AMD 560/4 2.2 kW F400	03224	1455	2.2	400	4.5	0	776	60/400	76	EVS-D 001	04594	SDD 4	01944	SDZ 4	01945
B AMD 560/4 3 kW F400	03225	1455	3	400 ³⁾	6.0	12	776	60/400	78	EVS-SD 001	04586	SDD 4	01944	SDZ 4	01945
B AMD 560/2 7.5 kW F400	03220	2930	7.5	400 ³⁾	14.1	67	776	60/400	144	EVS-SD 003	04584	SDD 5	01924	SDZ 5	01925
F400 Pole-switching, 2 speed, three phase motor, Dahlander winding $\gamma/\gamma\gamma$, 400 V, 50 Hz, protection class IP55															
B AMD 560/8/4 0.4/1.6 kW F400	03227	700/1440	0.4/1.6	400	1.7/4.0	0	777	60/400	67	EVS-DA 001	04548	SDD 1F	01942	SDZ 1F	01943
B AMD 560/8/4 0.55/2.2 kW F400	03228	700/1430	0.55/2.2	400	2.0/4.8	12	777	60/400	74	EVS-DA 001	04548	SDD 1F	01942	SDZ 1F	01943
B AMD 560/8/4 0.7/2.8 kW F400	03229	710/1440	0.7/2.8	400	2.5/6.0	12	777	60/400	77	EVS-DA 001	04548	SDD 4	01944	SDZ 4	01945
B AMD 560/4/2 2.0/8.0 kW F400	03226	1470/2930	2.0/8.0	400	4.8/15.3	105	777	60/400	138	EVS-DA 054	04194	SDD 5	01924	SDZ 5	01925

The flow volume and pressure increase information is required to determine the pitch angle.
²⁾ For Z/P version due to higher total weight Type allocation according to tables on page 157.

¹⁾ For ventilation / smoke extraction (once 120 min.).
³⁾ γ/Δ start-up.