

AMD / B AMD 630



Description, Installation, Casing, Air flow direction, etc. see page 46.

Impeller

- Hub and blades made from corrosion-resistant aluminium alloy. Ten aerodynamically profiled blades achieve the highest level of efficiency and pressure ratings together with the guide vane.
- Dynamically balanced, quality class 6.3 for low-vibration operation.
- Blades can be steplessly adjusted in the factory.

Motor

- Series AMD: Direct through efficient IE3 standard three phase motor. Pole-switching fans with IEC standard motor. Protection class IP55, insulation class F.

- Series B AMD: Direct through efficient IE3 three phase motor (smoke extraction motors F300 or F400). Pole-switching fans with IEC standard motor. Protection class IP55. Insulation class H. Fire-resistant external cable with sheathing.

Motor protrusion

For some types, the motor protrudes over the casing. Protrusion dimension B in mm must be observed according to the type table.

Motor protection

All types have PTC resistors from the terminal box. This must be bridged in smoke extraction mode for B AMD models.

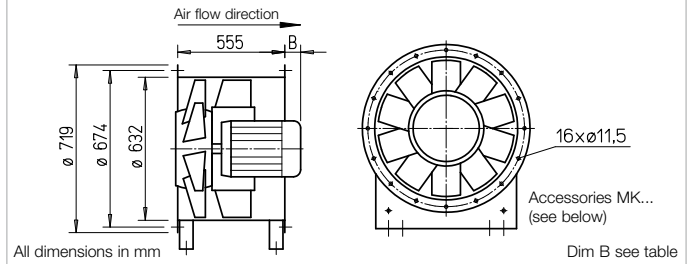
Certification

The smoke ventilation fans B AMD have been tested according to DIN EN 12101-3. Certificate of performance reliability: F300: 0036-CPR-RG05-18 F400: 0036-CPR-RG05-19

Accessory details

Accessory details	Page
Mounting accessories	161 ff.
Attenuators	166 ff.
Gas warning systems, switch and control technology	168 ff.
Frequency inverters	178 ff.

Dimensions AMD / B AMD 630



Description, Installation, Casing, Air flow direction, etc. see page 46.

Impeller

- Hub and blades made from corrosion-resistant aluminium alloy. Ten aerodynamically profiled blades achieve the highest level of efficiency and pressure ratings together with the guide vane.
- Dynamically balanced, quality class 6.3 for low-vibration operation.
- Blades can be steplessly adjusted in the factory.

Motor

- Series AMD: Direct through efficient IE3 standard three phase motor. Pole-switching fans with IEC standard motor. Protection class IP55, insulation class F.

- Series B AMD: Direct through efficient IE3 three phase motor (smoke extraction motors F300 or F400). Pole-switching fans with IEC standard motor. Protection class IP55. Insulation class H. Fire-resistant external cable with sheathing.

Motor protrusion

For some types, the motor protrudes over the casing. Protrusion dimension B in mm must be observed according to the type table.

Motor protection

All types have PTC resistors from the terminal box. This must be bridged in smoke extraction mode for B AMD models.

Electrical connection

- Series AMD: Standard plastic terminal box (protection class IP55), mounted to outside of duct.
- Series B AMD: Standard aluminium die-cast terminal box (protection class IP55), mounted to outside of duct.

Air flow temperatures

- Series AMD: Suitable for supply and extract ventilation from -20 °C to +60 °C continuous temperature. Types for higher air flow temperatures upon request.
- Series B AMD: Like series AMD, but also for smoke extraction according to the temperature classification up to 300 °C/120 min. and 400 °C/120 min.

Double pressure

Mounting package MP-Z for two-stage Z unit

For arrangement of two identical fans in a row, for highest pressure ratings. Scope of delivery: Extension ducts (2 pcs.) and assembly kit. Weight: 36 kg

MP-Z 630

Ref. no. 04909

Double volume

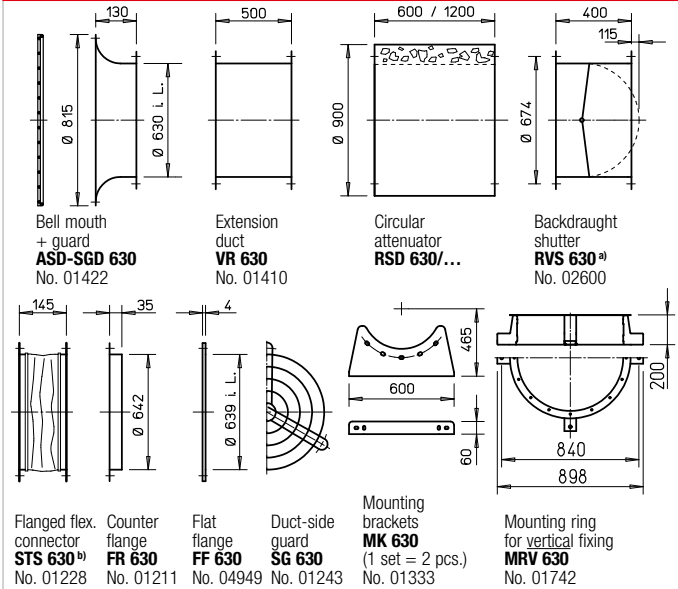
Mounting package MP-P for parallel P unit

For arrangement of two identical fans side by side, for highest flow rates. Scope of delivery: Extension ducts, backdraught shutter, mounting rails (2 pcs. each), mounting brackets (4 pcs.) and assembly kits. Weight: 110 kg

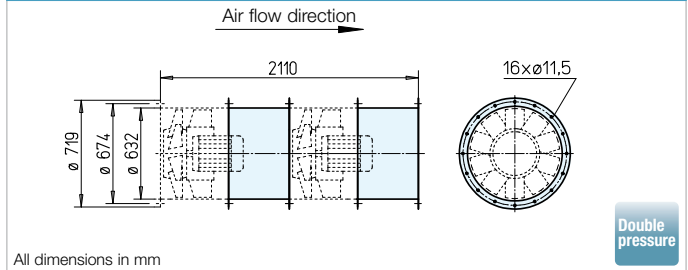
MP-P 630

Ref. no. 04893

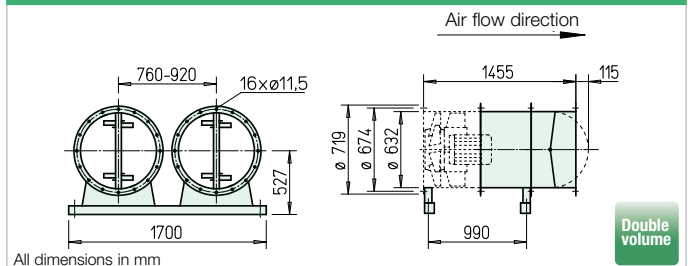
Accessories for AMD / B AMD 630



Dimensions MP-Z 630

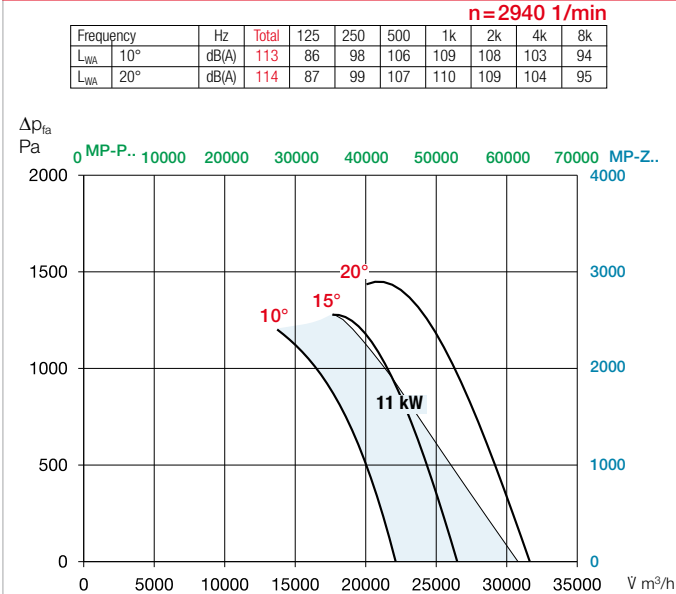


Dimensions MP-P 630

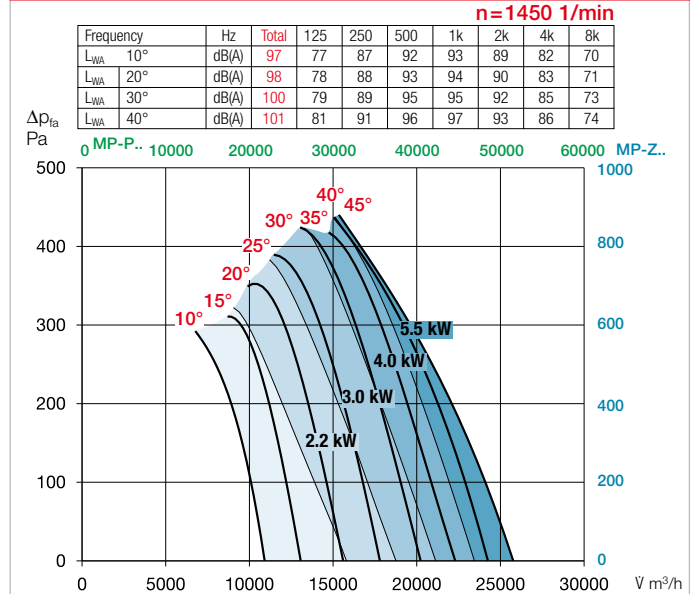


^{a)} Backdraught shutter, motorised, for ventilation, see main Helios catalogue. ^{b)} Type for B AMD: STSB 630 F400, No. 01917

Performance curves AMD / B AMD 630/2



Performance curves AMD / B AMD 630/4



Information	Page	Special designs
Techn. description	56	Special design with inspection open. (add. cost) upon request.
Project planning information	13 ff.	

Type	Ref. no.	Speed min ⁻¹	Nominal motor power (output) kW	Nominal voltage V	Nominal current A	Dim. B motor protrusion mm	Wiring diagram No.	max. air flow temp. ¹⁾ +°C	Net weight approx. kg	Full motor protection or Smoke exhaust fan control system	Anti-vibration mounts ²⁾			
											Pressure		Tensile	
											Type	Ref. no.	Type	Ref. no.
60° Three phase motor, 400 V, 50 Hz, protection class IP55											Full motor protection			
AMD 630/2 11 kW	03376	2945	11.0	400 ³⁾	20.0	145	776	60	210	MSA 01289	SDD 3	01367	SDZ 3	01366
AMD 630/4 1.5 kW	03291	1440	1.5	400	3.3	0	796	60	84	MSA 01289	SDD 2	01453	SDZ 2	01455
AMD 630/4 2.2 kW	03292	1455	2.2	400	4.5	0	796	60	84	MSA 01289	SDD 2	01453	SDZ 2	01455
AMD 630/4 3 kW	03293	1455	3	400 ³⁾	6.0	0	776	60	99	MSA 01289	SDD 2	01453	SDZ 2	01455
AMD 630/4 4 kW	03294	1500	4	400 ³⁾	7.4	30	776	60	94	MSA 01289	SDD 2	01453	SDZ 2	01455
AMD 630/4 5.5 kW	03295	1470	5.5	400 ³⁾	10.7	40	776	60	115	MSA 01289	SDD 2	01453	SDZ 2	01455
60° Pole-switching, 2 speed, three phase motor, Dahlander winding Y/YY, 400 V, 50 Hz, protection class IP55											Smoke exhaust fan control system			
AMD 630/8/4 0.55/2.0 kW	03297	680/1410	0.55/2.0	400	2.0/4.5	0	777	60	98	—	SDD 2	01453	SDZ 2	01455
AMD 630/8/4 0.9/3.2 kW	03298	680/1420	0.9/3.2	400	3.2/7.1	30	777	60	104	—	SDD 2	01453	SDZ 2	01455
AMD 630/8/4 1.1/4.5 kW	03299	680/1435	1.1/4.5	400	3.6/9.3	40	777	60	130	—	SDD 2	01453	SDZ 2	01455
F300 Three phase motor, 400 V, 50 Hz, protection class IP55											Smoke exhaust fan control system			
B AMD 630/2 11 kW F300	05913	2945	11.0	400 ³⁾	20.0	128	776	60/300	195	EVS-SD 004 04583	SDD 6	01926	SDZ 6	01927
B AMD 630/4 1.5 kW F300	03399	1440	1.5	400	3.3	0	776	60/300	88	EVS-D 001 04594	SDD 4	01944	SDZ 4	01945
B AMD 630/4 2.2 kW F300	03400	1455	2.2	400	4.5	0	776	60/300	93	EVS-D 001 04594	SDD 4	01944	SDZ 4	01945
B AMD 630/4 3 kW F300	03401	1455	3	400 ³⁾	6.0	0	776	60/300	96	EVS-SD 001 04586	SDD 4	01944	SDZ 4	01945
B AMD 630/4 4 kW F300	03402	1460	4	400 ³⁾	7.9	0	776	60/300	110	EVS-SD 001 04586	SDD 4	01944	SDZ 4	01945
B AMD 630/4 5.5 kW F300	03403	1470	5.5	400 ³⁾	10.7	11	776	60/300	125	EVS-SD 002 04585	SDD 5	01924	SDZ 5	01925
F300 Pole-switching, 2 speed, three phase motor, Dahlander winding Y/YY, 400 V, 50 Hz, protection class IP55											Smoke exhaust fan control system			
B AMD 630/8/4 0.4/1.6 kW F300	03404	700/1440	0.4/1.6	400	1.7/4.0	0	777	60/300	86	EVS-DA 001 04548	SDD 4	01944	SDZ 4	01945
B AMD 630/8/4 0.55/2.2 kW F300	03405	700/1430	0.55/2.2	400	2.0/4.9	0	777	60/300	93	EVS-DA 001 04548	SDD 4	01944	SDZ 4	01945
B AMD 630/8/4 0.7/2.8 kW F300	03406	710/1440	0.7/2.8	400	2.5/6.0	0	777	60/300	96	EVS-DA 001 04548	SDD 4	01944	SDZ 4	01945
B AMD 630/8/4 1.0/3.8 kW F300	03407	710/1440	1.0/3.8	400	2.9/7.9	0	777	60/300	106	EVS-DA 001 04548	SDD 4	01944	SDZ 4	01945
B AMD 630/8/4 1.3/5.0 kW F300	03408	735/1475	1.3/5.0	400	3.8/10.4	11	777	60/300	131	EVS-DA 053 04192	SDD 5	01924	SDZ 5	01925
F400 Three phase motor, 400 V, 50 Hz, protection class IP55											Smoke exhaust fan control system			
B AMD 630/4 1.5 kW F400	03230	1440	1.5	400	3.3	0	776	60/400	88	EVS-D 001 04594	SDD 4	01944	SDZ 4	01945
B AMD 630/4 2.2 kW F400	03231	1455	2.2	400	4.5	0	776	60/400	95	EVS-D 001 04594	SDD 4	01944	SDZ 4	01945
B AMD 630/4 3 kW F400	03232	1455	3	400 ³⁾	6.0	0	776	60/400	97	EVS-SD 001 04586	SDD 4	01944	SDZ 4	01945
B AMD 630/4 4 kW F400	03233	1460	4	400 ³⁾	7.9	0	776	60/400	110	EVS-SD 001 04586	SDD 4	01944	SDZ 4	01945
B AMD 630/4 5.5 kW F400	03234	1470	5.5	400 ³⁾	10.7	11	776	60/400	127	EVS-SD 002 04585	SDD 5	01924	SDZ 5	01925
F400 Pole-switching, 2 speed, three phase motor, Dahlander winding Y/YY, 400 V, 50 Hz, protection class IP55											Smoke exhaust fan control system			
B AMD 630/8/4 0.4/1.6 kW F400	03235	700/1440	0.4/1.6	400	1.7/4.0	0	777	60/400	86	EVS-DA 001 04548	SDD 4	01944	SDZ 4	01945
B AMD 630/8/4 0.55/2.2 kW F400	03236	700/1430	0.55/2.2	400	2.0/4.8	0	777	60/400	93	EVS-DA 001 04548	SDD 4	01944	SDZ 4	01945
B AMD 630/8/4 0.7/2.8 kW F400	03237	690/1440	0.7/2.8	400	2.5/6.0	0	777	60/400	96	EVS-DA 001 04548	SDD 4	01944	SDZ 4	01945
B AMD 630/8/4 1.0/3.8 kW F400	03238	710/1440	1.0/3.8	400	2.9/7.9	0	777	60/400	107	EVS-DA 001 04548	SDD 4	01944	SDZ 4	01945
B AMD 630/8/4 1.3/5.0 kW F400	03239	735/1475	1.3/5.0	400	3.8/10.4	11	777	60/400	131	EVS-DA 053 04192	SDD 5	01924	SDZ 5	01925

The flow volume and pressure increase information is required to determine the pitch angle.
²⁾ For Z/P version due to higher total weight Type allocation according to tables on page 157.
¹⁾ For ventilation / smoke extraction (once 120 min.).
³⁾ Y/Δ start-up.