

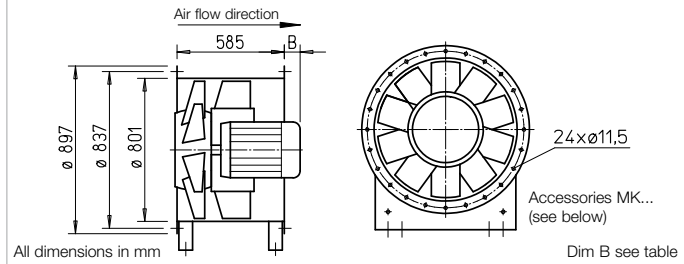
AMD / B AMD 800



Certification

The smoke ventilation fans B AMD have been tested according to DIN EN 12101-3. Certificate of performance reliability: F300: 0036-CPR-RG05-18 F400: 0036-CPR-RG05-19

Dimensions AMD / B AMD 800



Description, Installation, Casing, Air flow direction, etc. see page 46.

Impeller

- Hub and blades made from corrosion-resistant aluminium alloy. Ten aerodynamically profiled blades achieve the highest level of efficiency and pressure ratings together with the guide vane.
- Dynamically balanced, quality class 6.3 for low-vibration operation.
- Blades can be steplessly adjusted in the factory.

Motor

- Series AMD: Direct through efficient IE3 standard three phase motor. Pole-switching fans with IEC standard motor. Protection class IP55, insulation class F.

- Series B AMD: Direct through efficient IE3 three phase motor (smoke extraction motors F300 or F400). Pole-switching fans with IEC standard motor. Protection class IP55. Insulation class H. Fire-resistant external cable with sheathing.

Motor protrusion

For some types, the motor protrudes over the casing. Protrusion dimension B in mm must be observed according to the type table.

Motor protection

All types have PTC resistors from the terminal box. This must be bridged in smoke extraction mode for B AMD models.

Electrical connection

- Series AMD: Standard plastic terminal box (protection class IP55), mounted to outside of duct.
- Series B AMD: Standard aluminium die-cast terminal box (protection class IP55), mounted to outside of duct.

Air flow temperatures

- Series AMD: Suitable for supply and extract ventilation from -20 °C to +60 °C continuous temperature. Types for higher air flow temperatures upon request.
- Series B AMD: Like series AMD, but also for smoke extraction according to the temperature classification up to 300 °C/120 min. and 400 °C/120 min.

Double pressure

Mounting package MP-Z for two-stage Z unit

For arrangement of two identical fans in a row, for highest pressure ratings. Scope of delivery: Extension ducts (2 pcs.) and assembly kit. Weight: 60 kg

MP-Z 800

Ref. no. 04911

Double volume

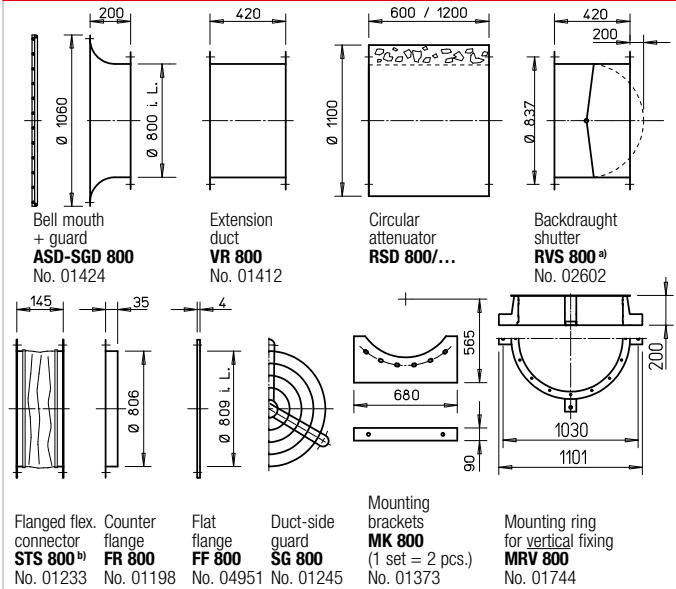
Mounting package MP-P for parallel P unit

For arrangement of two identical fans side by side, for highest flow rates. Scope of delivery: Extension ducts, backdraught shutter, mounting rails (2 pcs. each), mounting brackets (4 pcs.) and assembly kits. Weight: 205 kg

MP-P 800

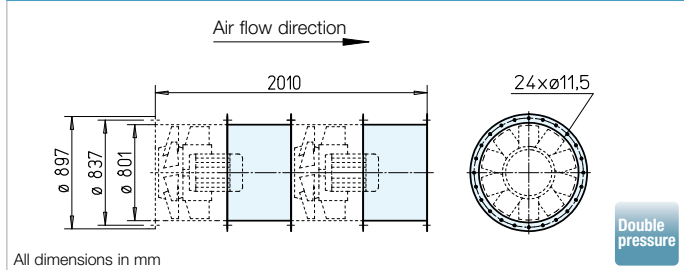
Ref. no. 04895

Accessories for AMD / B AMD 800

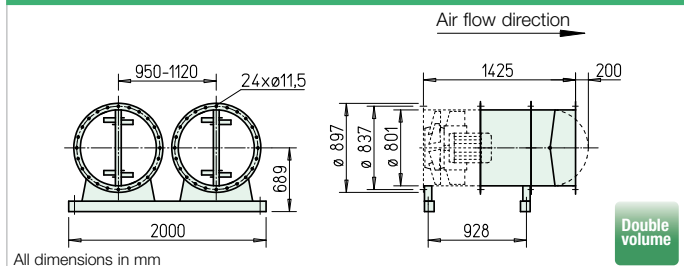


^{a)} Backdraught shutter, motorised, for ventilation, see main Helios catalogue. ^{b)} Type for B AMD: STSB 800 F400, No. 01919

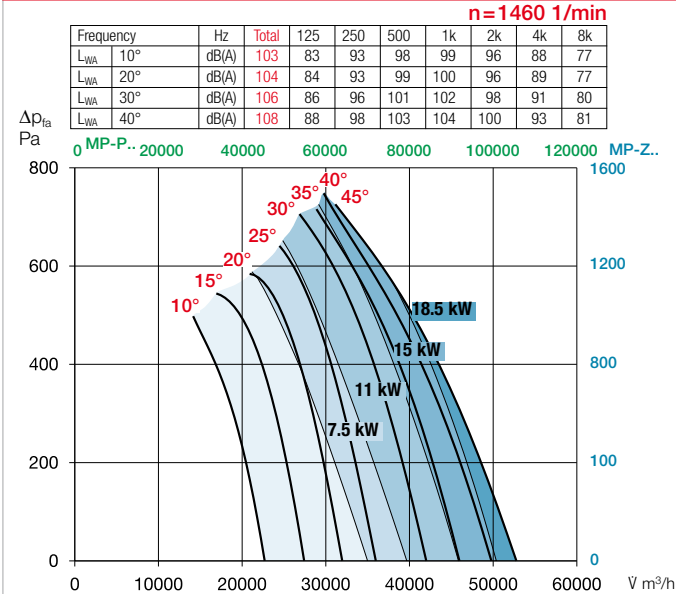
Dimensions MP-Z 800



Dimensions MP-P 800



Performance curves AMD / B AMD 800/4



Information	Page	Accessory details	Page
Techn. description	56	Mounting accessories	161 ff.
Project planning information	13 ff.	Attenuators	166 ff.
Special designs		Gas warning systems, switch and control technology	168 ff.
Special design with inspection open. (add. cost) upon request.		Frequency inverters	178 ff.

Type	Ref. no.	Speed	Nominal motor power (output)	Nominal voltage	Nominal current	Dim. B motor protrusion	Wiring diagram	max. air flow temp. ¹⁾	Net weight approx.	Full motor protection or Smoke exhaust fan control system		Anti-vibration mounts ²⁾			
										Type	Ref. no.	Pressure		Tensile	
		min ⁻¹	kW	V	A	mm	No.	+°C	kg	Type	Ref. no.	Type	Ref. no.	Type	Ref. no.
60° Three phase motor, 400 V, 50 Hz, protection class IP55											Full motor protection				
AMD 800/4 5.5 kW	03311	1470	5.5	400 ³⁾	10.7	65	776	60	174	MSA	01289	SDD 3	01367	SDZ 3	01366
AMD 800/4 7.5 kW	03312	1460	7.5	400 ³⁾	14.2	100	776	60	185	MSA	01289	SDD 3	01367	SDZ 3	01366
AMD 800/4 11 kW	03313	1470	11	400 ³⁾	20.9	165	776	60	260	MSA	01289	SDD 3	01367	SDZ 3	01366
AMD 800/4 15 kW	03314	1465	15	400 ³⁾	27.9	210	776	60	270	MSA	01289	SDD 3 ⁴⁾	01367	SDZ 6 ⁴⁾	01927
AMD 800/4 18.5 kW	03315	1470	18.5	400 ³⁾	35.1	250	776	60	290	MSA	01289	SDD 3 ⁴⁾	01367	SDZ 6 ⁴⁾	01927
60° Pole-switching, 2 speed, three phase motor, Dahlander winding Y/Y, 400 V, 50 Hz, protection class IP55															
AMD 800/8/4 1.5/6.3 kW	03316	680/1440	1.5/6.3	400	4.5/12.3	100	777	60	200	—	—	SDD 3	01367	SDZ 3	01366
AMD 800/8/4 2.0/8.9 kW	03317	690/1450	2.0/8.9	400	5.3/17.8	165	777	60	270	—	—	SDD 3	01367	SDZ 3	01366
AMD 800/8/4 2.7/12 kW	03318	700/1460	2.7/12	400	7.1/24.0	210	777	60	280	—	—	SDD 3 ⁴⁾	01367	SDZ 6 ⁴⁾	01927
AMD 800/8/4 4.0/16 kW	03319	720/1460	4.0/16.0	400	10.6/30.9	250	777	60	310	—	—	SDD 3 ⁴⁾	01367	SDZ 7 ⁴⁾	01929
F300 Three phase motor, 400 V, 50 Hz, protection class IP55											Smoke exhaust fan control system				
B AMD 800/4 5.5 kW F300	03514	1470	5.5	400 ³⁾	10.7	34	776	60/300	183	EVS-SD 002	04585	SDD 5	01924	SDZ 5	01925
B AMD 800/4 7.5 kW F300	03515	1460	7.5	400 ³⁾	14.2	73	776	60/300	191	EVS-SD 003	04584	SDD 5	01924	SDZ 5	01925
B AMD 800/4 11 kW F300	03516	1470	11	400 ³⁾	20.9	151	776	60/300	230	EVS-SD 004	04583	SDD 6	01926	SDZ 6	01927
B AMD 800/4 15 kW F300	03517	1465	15	400 ³⁾	27.9	195	776	60/300	240	EVS-SD 005	04582	SDD 6 ⁴⁾	01926	SDZ 6 ⁴⁾	01927
B AMD 800/4 18.5 kW F300	03518	1470	18.5	400 ³⁾	35.1	217	776	60/300	300	EVS-SD 006	04581	SDD 6 ⁴⁾	01926	SDZ 6 ⁴⁾	01927
F300 Pole-switching, 2 speed, three phase motor, Dahlander winding Y/Y, 400 V, 50 Hz, protection class IP55															
B AMD 800/8/4 1.3/5.0 kW F300	03519	735/1475	1.3/5.0	400	3.8/10.4	34	777	60/300	190	EVS-DA 053	04192	SDD 5	01924	SDZ 5	01925
B AMD 800/8/4 1.8/7.2 kW F300	03520	735/1475	1.8/7.2	400	5.3/15.0	73	777	60/300	210	EVS-DA 002	04547	SDD 6	01926	SDZ 6	01927
B AMD 800/8/4 3.0/11 kW F300	03521	730/1470	3.0/11.0	400	7.0/21.7	195	777	60/300	240	EVS-DA 054	04194	SDD 6 ⁴⁾	01926	SDZ 6 ⁴⁾	01927
B AMD 800/8/4 4.3/17 kW F300	03522	730/1475	4.3/17.0	400	12.7/33.4	217	777	60/300	290	EVS-DA 055	04196	SDD 6 ⁴⁾	01926	SDZ 6 ⁴⁾	01927
F400 Three phase motor, 400 V, 50 Hz, protection class IP55															
B AMD 800/4 5.5 kW F400	03255	1470	5.5	400 ³⁾	10.7	34	776	60/400	185	EVS-SD 002	04585	SDD 5	01924	SDZ 5	01925
B AMD 800/4 7.5 kW F400	03256	1460	7.5	400 ³⁾	14.2	73	776	60/400	192	EVS-SD 003	04584	SDD 5	01924	SDZ 5	01925
B AMD 800/4 11 kW F400	03257	1470	11	400 ³⁾	20.9	151	776	60/400	240	EVS-SD 004	04583	SDD 6	01926	SDZ 6	01927
B AMD 800/4 15 kW F400	03258	1465	15	400 ³⁾	27.9	195	776	60/400	250	EVS-SD 005	04582	SDD 6 ⁴⁾	01926	SDZ 6 ⁴⁾	01927
B AMD 800/4 18.5 kW F400	03259	1470	18.5	400 ³⁾	35.1	217	776	60/400	300	EVS-SD 006	04581	SDD 6 ⁴⁾	01926	SDZ 6 ⁴⁾	01927
F400 Pole-switching, 2 speed, three phase motor, Dahlander winding Y/Y, 400 V, 50 Hz, protection class IP55															
B AMD 800/8/4 1.3/5.0 kW F400	03260	735/1475	1.3/5.0	400	3.8/10.4	34	777	60/400	190	EVS-DA 053	04192	SDD 5	01924	SDZ 5	01925
B AMD 800/8/4 1.8/7.2 kW F400	03261	735/1475	1.8/7.2	400	5.3/15.0	73	777	60/400	210	EVS-DA 002	04547	SDD 6	01926	SDZ 6	01927
B AMD 800/8/4 3.0/11 kW F400	03262	730/1470	3.0/11.0	400	7.0/21.7	195	777	60/400	240	EVS-DA 054	04194	SDD 6 ⁴⁾	01926	SDZ 6 ⁴⁾	01927
B AMD 800/8/4 4.3/17 kW F400	03263	730/1475	4.3/17.0	400	12.7/33.4	217	777	60/400	290	EVS-DA 055	04196	SDD 6 ⁴⁾	01926	SDZ 6 ⁴⁾	01927

The flow volume and pressure increase information is required to determine the pitch angle.
²⁾ For Z/P version due to higher total weight Type allocation according to tables on page 157.
⁴⁾ Extension duct VR.. required over the motor protrusion.

¹⁾ For ventilation / smoke extraction (once 120 min.).
³⁾ Y/Δ start-up.