

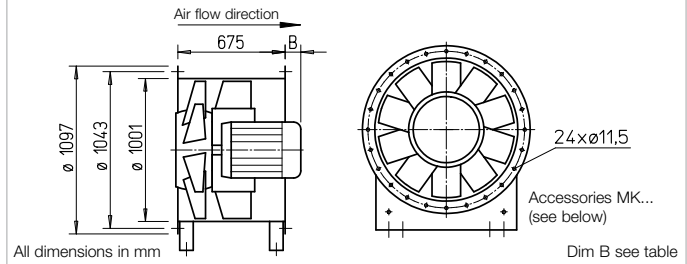
AMD / B AMD 1000



Certification

The smoke ventilation fans B AMD have been tested according to DIN EN 12101-3. Certificate of performance reliability: F300: 0036-CPR-RG05-18 F400: 0036-CPR-RG05-19

Dimensions AMD / B AMD 1000



Description, Installation, Casing, Air flow direction, etc. see page 46.

Impeller

- Hub and blades made from corrosion-resistant aluminium alloy. Ten aerodynamically profiled blades achieve the highest level of efficiency and pressure ratings together with the guide vane.
- Dynamically balanced, quality class 6.3 for low-vibration operation.
- Blades can be steplessly adjusted in the factory.

Motor

- Series AMD: Direct through efficient IE3 standard three phase motor. Pole-switching fans with IEC standard motor. Protection class IP55, insulation class F.

- Series B AMD: Direct through efficient IE3 three phase motor (smoke extraction motors F300 or F400). Pole-switching fans with IEC standard motor. Protection class IP55. Insulation class H. Fire-resistant external cable with sheathing.

Motor protrusion

For some types, the motor protrudes over the casing. Protrusion dimension B in mm must be observed according to the type table.

Motor protection

All types have PTC resistors from the terminal box. This must be bridged in smoke extraction mode for B AMD models.

Electrical connection

- Series AMD: Standard plastic terminal box (protection class IP55), mounted to outside of duct.
- Series B AMD: Standard aluminium die-cast terminal box (protection class IP55), mounted to outside of duct.

Air flow temperatures

- Series AMD: Suitable for supply and extract ventilation from -20 °C to +60 °C continuous temperature. Types for higher air flow temperatures upon request.
- Series B AMD: Like series AMD, but also for smoke extraction according to the temperature classification up to 300 °C/120 min. and 400 °C/120 min.

Double pressure

Mounting package MP-Z for two-stage Z unit

For arrangement of two identical fans in a row, for highest pressure ratings. Scope of delivery: Extension ducts (2 pcs.) and assembly kit. Weight: 75 kg

MP-Z 1000

Ref. no. 04913

Double volume

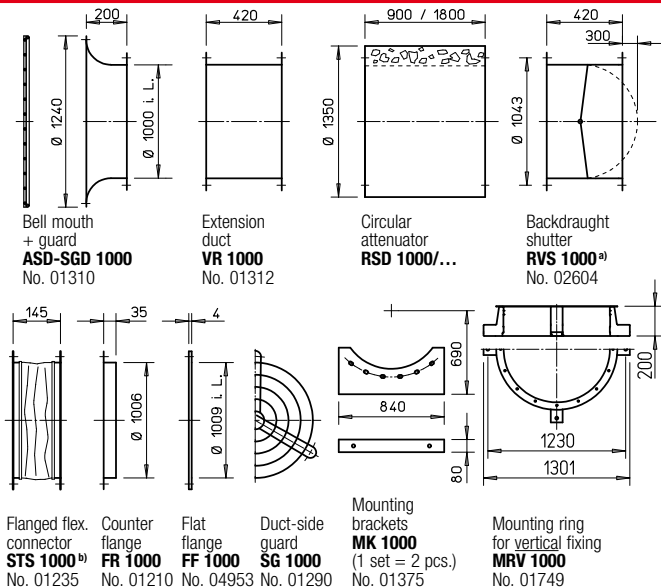
Mounting package MP-P for parallel P unit

For arrangement of two identical fans side by side, for highest flow rates. Scope of delivery: Extension ducts, backdraught shutter, mounting rails (2 pcs. each), mounting brackets (4 pcs.) and assembly kits. Weight: 255 kg

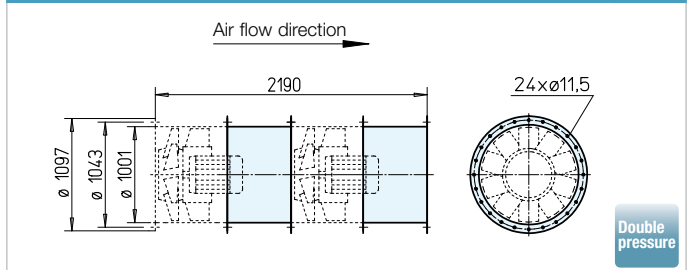
MP-P 1000

Ref. no. 04897

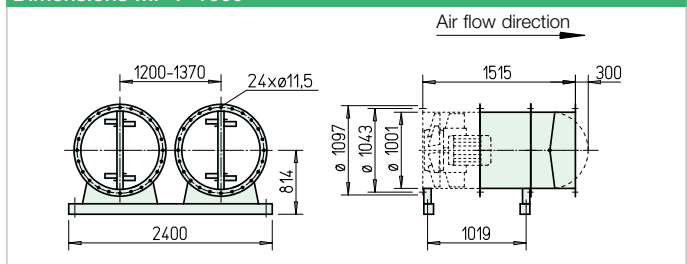
Accessories for AMD / B AMD 1000



Dimensions MP-Z 1000

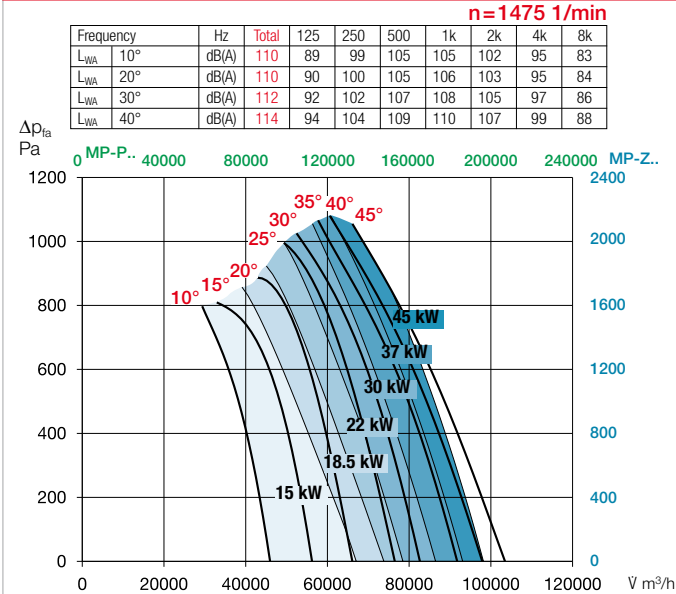


Dimensions MP-P 1000



^{a)} Backdraught shutter, motorised, for ventilation, see main Helios catalogue. ^{b)} Type for B AMD: STSB 1000 F400, No. 01921

Performance curves AMD / B AMD 1000/4



Information	Page	Accessory details	Page
Techn. description	56	Mounting accessories	161 ff.
Project planning information	13 ff.	Attenuators	166 ff.
Special designs		Gas warning systems, switch and control technology	168 ff.
Special design with inspection open. (add. cost) upon request.		Frequency inverters	178 ff.

Type	Ref. no.	Speed	Nominal motor power (output)	Nominal voltage	Nominal current	Dim. B motor protrusion	Wiring diagram	max. air flow temp. ¹⁾	Net weight approx.	Full motor protection or Smoke exhaust fan control system		Anti-vibration mounts ²⁾			
										Type	Ref. no.	Pressure	Tensile	Type	Ref. no.
		min ⁻¹	kW	V	A	mm	No.	+°C	kg	Type	Ref. no.	Type	Ref. no.	Type	Ref. no.
60° Three phase motor, 400 V, 50 Hz, protection class IP55											Full motor protection				
AMD 1000/4 15 kW	03667	1465	15	400 ³⁾	27.9	160	776	60	360	MSA	01289	SDD 3	01367	SDZ 7	01929
AMD 1000/4 18.5 kW	03668	1470	18.5	400 ³⁾	35.1	195	776	60	370	MSA	01289	SDD 3	01367	SDZ 7	01929
AMD 1000/4 22 kW	03669	1470	22	400 ³⁾	41.0	235	776	60	390	MSA	01289	SDD 3	01367	SDZ 7	01929
AMD 1000/4 30 kW	03670	1480	30	400 ³⁾	57.1	290	776	60	450	MSA	01289	SDD 3 ⁴⁾	01367	SDZ 7 ⁴⁾	01929
AMD 1000/4 37 kW	03671	1480	37	400 ³⁾	66.8	300	776	60	460	MSA	01289	SDD 3 ⁴⁾	01367	SDZ 7 ⁴⁾	01929
AMD 1000/4 45 kW	03672	1475	45	400 ³⁾	80.9	325	776	60	490	MSA	01289	SDD 3 ⁴⁾	01367	SDZ 8 ⁴⁾	01931
60° Pole-switching, 2 speed, three phase motor, Dahlander winding γ/Δ, 400 V, 50 Hz, protection class IP55											Smoke exhaust fan control system				
AMD 1000/8/4 4.0/16 kW	03674	720/1460	4.0/16.0	400	10.6/30.9	195	777	60	390	—	—	SDD 3	01367	SDZ 7	01929
AMD 1000/8/4 5.0/19.5 kW	03675	720/1470	5.0/19.5	400	12.9/37.2	235	777	60	410	—	—	SDD 3	01367	SDZ 7	01929
AMD 1000/8/4 7.5/29 kW	03676	720/1470	7.5/29.5	400	18.9/54.7	325	777	60	470	—	—	SDD 3 ⁴⁾	01367	SDZ 8 ⁴⁾	01931
AMD 1000/8/4 9.5/40 kW	03677	725/1475	9.5/40.0	400	24.3/72.1	300	777	60	530	—	—	SDD 3 ⁴⁾	01367	SDZ 8 ⁴⁾	01931
F300 Three phase motor, 400 V, 50 Hz, protection class IP55											Smoke exhaust fan control system				
B AMD 1000/4 15 kW F300	03630	1465	15	400 ³⁾	27.9	150	776	60/300	330	EVS-SD 005	04582	SDD 6	01926	SDZ 6	01927
B AMD 1000/4 18.5 kW F300	03631	1470	18.5	400 ³⁾	35.1	210	776	60/300	380	EVS-SD 006	04581	SDD 7	01928	SDZ 7	01929
B AMD 1000/4 22 kW F300	03632	1470	22	400 ³⁾	41.0	210	776	60/300	390	EVS-SD 007	04580	SDD 7	01928	SDZ 7	01929
B AMD 1000/4 30 kW F300	03633	1480	30	400 ³⁾	57.1	275	776	60/300	460	EVS-SD 008	04579	SDD 7 ⁴⁾	01928	SDZ 7 ⁴⁾	01929
B AMD 1000/4 37 kW F300	03634	1480	37	400 ³⁾	66.8	325	776	60/300	560	EVS-SD 009	04578	SDD 8 ⁴⁾	01930	SDZ 8 ⁴⁾	01931
B AMD 1000/4 45 kW F300	03635	1475	45	400 ³⁾	80.9	325	776	60/300	590	EVS-SD 009	04578	SDD 8 ⁴⁾	01930	SDZ 8 ⁴⁾	01931
F300 Pole-switching, 2 speed, three phase motor, Dahlander winding γ/Δ, 400 V, 50 Hz, protection class IP55											Smoke exhaust fan control system				
B AMD 1000/8/4 4.3/17 kW F300	03636	730/1475	4.3/17.0	400	12.7/33.4	170	777	60/300	370	EVS-DA 055	04196	SDD 7	01928	SDZ 7	01929
B AMD 1000/8/4 5.0/20 kW F300	03637	730/1470	5.0/20.0	400	14.1/38.6	210	777	60/300	390	EVS-DA 004	04545	SDD 7	01928	SDZ 7	01929
B AMD 1000/8/4 6.5/28 kW F300	03638	735/1480	6.5/28.0	400	18.0/52.0	275	777	60/300	450	EVS-DA 056	04202	SDD 7 ⁴⁾	01928	SDZ 7 ⁴⁾	01929
B AMD 1000/8/4 9.2/37 kW F300	03639	740/1485	9.2/37.0	400	25.4/74.2	325	777	60/300	570	EVS-DA 057	04209	SDD 8 ⁴⁾	01930	SDZ 8 ⁴⁾	01931
B AMD 1000/8/4 11/44 kW F300	03640	740/1480	11.0/44.0	400	27.2/84.1	325	777	60/300	630	EVS-DA 057	04209	SDD 8 ⁴⁾	01930	SDZ 8 ⁴⁾	01931
F400 Three phase motor, 400 V, 50 Hz, protection class IP55											Smoke exhaust fan control system				
B AMD 1000/4 15 kW F400	03580	1465	15	400 ³⁾	27.9	150	776	60/400	330	EVS-SD 005	04582	SDD 6	01926	SDZ 6	01927
B AMD 1000/4 18.5 kW F400	03581	1470	18.5	400 ³⁾	35.1	210	776	60/400	390	EVS-SD 006	04581	SDD 7	01928	SDZ 7	01929
B AMD 1000/4 22 kW F400	03582	1470	22	400 ³⁾	41.0	210	776	60/400	390	EVS-SD 007	04580	SDD 7	01928	SDZ 7	01929
B AMD 1000/4 30 kW F400	03583	1480	30	400 ³⁾	57.1	275	776	60/400	460	EVS-SD 008	04579	SDD 7 ⁴⁾	01928	SDZ 7 ⁴⁾	01929
B AMD 1000/4 37 kW F400	03584	1480	37	400 ³⁾	66.8	325	776	60/400	590	EVS-SD 009	04578	SDD 8 ⁴⁾	01930	SDZ 8 ⁴⁾	01931
B AMD 1000/4 45 kW F400	03585	1475	45	400 ³⁾	80.9	325	776	60/400	590	EVS-SD 009	04578	SDD 8 ⁴⁾	01930	SDZ 8 ⁴⁾	01931
F400 Pole-switching, 2 speed, three phase motor, Dahlander winding γ/Δ, 400 V, 50 Hz, protection class IP55											Smoke exhaust fan control system				
B AMD 1000/8/4 4.3/17 kW F400	03597	730/1475	4.3/17.0	400	12.7/33.4	170	777	60/400	370	EVS-DA 055	04196	SDD 7	01928	SDZ 7	01929
B AMD 1000/8/4 5.0/20 kW F400	03598	730/1470	5.0/20.0	400	14.1/38.6	210	777	60/400	390	EVS-DA 004	04545	SDD 7	01928	SDZ 7	01929
B AMD 1000/8/4 6.5/28 kW F400	03599	735/1480	6.5/28.0	400	18.0/52.0	275	777	60/400	442	EVS-DA 056	04202	SDD 7 ⁴⁾	01928	SDZ 7 ⁴⁾	01929
B AMD 1000/8/4 9.2/37 kW F400	03600	740/1485	9.2/37.0	400	25.4/74.2	325	777	60/400	567	EVS-DA 057	04209	SDD 8 ⁴⁾	01930	SDZ 8 ⁴⁾	01931
B AMD 1000/8/4 11/44 kW F400	03601	740/1480	11.0/44.0	400	27.2/84.1	325	777	60/400	632	EVS-DA 057	04209	SDD 8 ⁴⁾	01930	SDZ 8 ⁴⁾	01931

The flow volume and pressure increase information is required to determine the pitch angle.
²⁾ For Z/P version due to higher total weight Type allocation according to tables on page 157.
⁴⁾ Extension duct VR.. required over the motor protrusion.
¹⁾ For ventilation / smoke extraction (once 120 min.).
³⁾ γ/Δ start-up.