

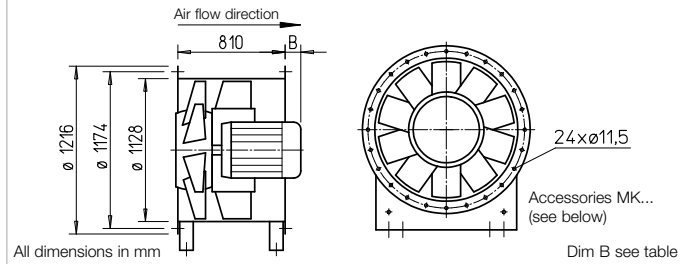
AMD / B AMD 1120



**Certification**

The smoke ventilation fans B AMD have been tested according to DIN EN 12101-3. Certificate of performance reliability: F300: 0036-CPR-RG05-18 F400: 0036-CPR-RG05-19

Dimensions AMD / B AMD 1120



**Description, Installation, Casing, Air flow direction, etc.** see page 46.

**Impeller**

- Hub and blades made from corrosion-resistant aluminium alloy. Ten aerodynamically profiled blades achieve the highest level of efficiency and pressure ratings together with the guide vane.
- Dynamically balanced, quality class 6.3 for low-vibration operation.
- Blades can be steplessly adjusted in the factory.

**Motor**

- Series AMD: Direct through efficient IE3 standard three phase motor. Pole-switching fans with IEC standard motor. Protection class IP55, insulation class F.

- Series B AMD: Direct through efficient IE3 three phase motor (smoke extraction motors F300 or F400). Pole-switching fans with IEC standard motor. Protection class IP55. Insulation class H. Fire-resistant external cable with sheathing.

**Motor protrusion**

For some types, the motor protrudes over the casing. Protrusion dimension B in mm must be observed according to the type table.

**Motor protection**

All types have PTC resistors from the terminal box. This must be bridged in smoke extraction mode for B AMD models.

**Electrical connection**

- Series AMD: Standard plastic terminal box (protection class IP55), mounted to outside of duct.
- Series B AMD: Standard aluminium die-cast terminal box (protection class IP55), mounted to outside of duct.

**Air flow temperatures**

- Series AMD: Suitable for supply and extract ventilation from -20 °C to +60 °C continuous temperature. Types for higher air flow temperatures upon request.
- Series B AMD: Like series AMD, but also for smoke extraction according to the temperature classification up to 300 °C/120 min. and 400 °C/120 min.

Double pressure

**Mounting package MP-Z for two-stage Z unit**

For arrangement of two identical fans in a row, for highest pressure ratings. Scope of delivery: Extension ducts (2 pcs.) and assembly kit. Weight: 85 kg

MP-Z 1120

Ref. no. 04914

Double volume

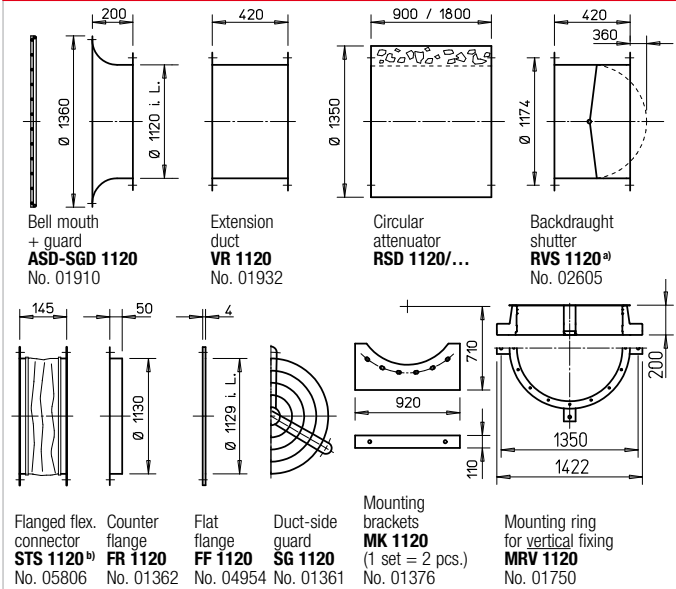
**Mounting package MP-P for parallel P unit**

For arrangement of two identical fans side by side, for highest flow rates. Scope of delivery: Extension ducts, backdraught shutter, mounting rails (2 pcs. each), mounting brackets (4 pcs.) and assembly kits. Weight: 290 kg

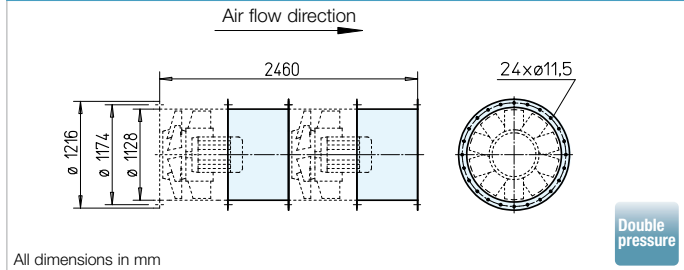
MP-P 1120

Ref. no. 04898

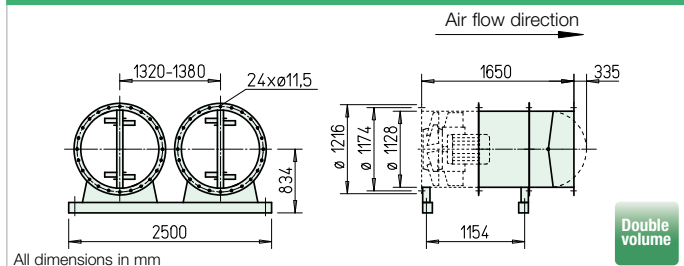
Accessories for AMD / B AMD 1120



Dimensions MP-Z 1120



Dimensions MP-P 1120



<sup>a)</sup> Backdraught shutter, motorised, for ventilation, see main Helios catalogue. <sup>b)</sup> Type for B AMD: STSB 1120 F400, No. 01922

