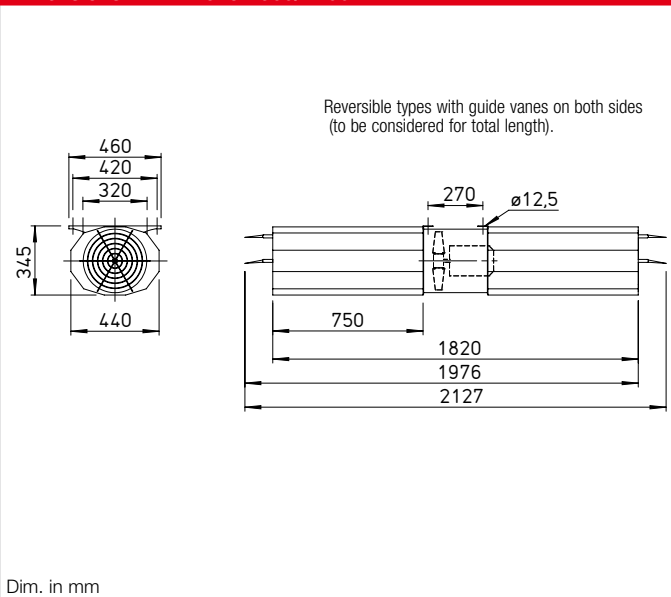


B IVAD 315 F300/F400



Dimensions B IVAD 315 F300/F400



High-quality, high-performance jet fans with optimal dimensions for minimum space requirement. Suitable for supply and extract ventilation of car parks. Temperature range optional 300 °C/120 min. or 400 °C/ 120 min. (in smoke extraction operation) or 60 °C in permanent operation.

Special features

- Low noise emission.
- Maximum thrust.
- Easy and fast to install due to low weight (aluminium construction).
- Direct driven, axial.
- Optional 100% reversible (types B IVAD R).

Casing

Duct casing made from corrosion-resistant aluminium with motor support and ceiling suspension. Aerodynamically shaped inlet with guard, outlet nozzle with adjustable guide vane. Reversible types with adjustable guide vanes on both sides (to be considered for total length).

Impeller

High-performance impeller for unidirectional and reversible operation. Dynamically balanced, quality class 6.3. With flow-optimised blades made from corrosion-resistant aluminium alloy, adjustable in standstill.

Motor

Direct via efficient IE 3 three phase motor. Pole-switching fans with IEC standard motor. Protection class IP55 and temperature-resistant design.

Motor protection

All types are equipped with PTC resistors from the terminal boxes. Thus, efficient motor protection is possible by means of full motor protection device (type MSA, Ref. no. 01289, Accessories) or FU (Accessories). For the smoke extraction function, all full motor protection devices and speed controllers (FU) for the smoke extraction fan must be bridged to achieve the required output and max. operating duration.

Noise insulation

Polygon attenuators mounted on both sides, whose aluminium casings are fully lined with abrasion-resistant mineral wool and galvanised perforated plate according to DIN 4102 (non-flammable).

Installation

With integrated mounting rails as standard, which are fixed directly to the ceiling using temperature-resistant plugs (Accessories, on-site) at four fixing points. In order to prevent vibration transmission, the use of anti-vibration mounts is recommended (SDZ, Accessories, see table).

Electrical connection

Aluminium die-cast terminal box (protection class IP55) as standard, outside on casing. On-site cabling with temperature-resistant connection cable.

Certification

- Structural tolerances according to DIN 2768
 - Performance measurement according to DIN 24163
 - The jet fans B IVAD have been tested according to DIN EN 12101-3.
- EC certificate of compliance:
F300: 0036-CPR-RG05-15
F400: 0036-CPR-RG05-16

Accessories

Anti-vibration mounts for tensile loading (1 set = 4 pcs.)

SDZ 1 F



Type	Ref. no.	Thrust	Discharge speed	Max. output	Nominal speed	Reversible	Sound pressure level ¹⁾	Nominal motor power (output)	Nominal motor current		Wiring diagram	Max. air flow temperature	Net weight approx.	Anti-vibration mount (1 set = 4 pcs.)	
									Operation	Start-up				No.	+ °C
F300 Three phase motor, 400 V, 50 Hz, protection class IP55															
B IVAD 315/2 R F300	04118	23	15.3	4400	2830	Yes	59	1.10	2.3	17.2	776	60/300	41	SDZ 1 F	01943
B IVAD 315/2 F300	04126	25	15.8	4500	2830	No	58	1.10	2.3	17.2	776	60/300	41	SDZ 1 F	01943
F300 Pole-switching, 2 speed, three phase motor, Dahlander winding $\gamma/\gamma\gamma$, 400 V, 50 Hz, protection class IP55															
B IVAD 315/4/2 R F300	04117	6/23	7.6/15.3	2200/4400	1390/2810	Yes	40/60	0.25/1.10	0.8/2.5	3.4/14.9	777	60/300	40	SDZ 1 F	01943
B IVAD 315/4/2 F300	04125	7/25	7.9/15.7	2300/4500	1390/2810	No	39/58	0.25/1.10	0.8/2.5	3.4/14.9	777	60/300	40	SDZ 1 F	01943
F400 Three phase motor, 400 V, 50 Hz, protection class IP55															
B IVAD 315/2 R F400	04134	23	15.3	4400	2830	Yes	59	1.10	2.33	17.2	776	60/400	42	SDZ 1 F	01943
B IVAD 315/2 F400	04142	25	15.8	4500	2830	No	58	1.10	2.33	17.2	776	60/400	42	SDZ 1 F	01943
F400 Pole-switching, 2 speed, three phase motor, Dahlander winding $\gamma/\gamma\gamma$, 400 V, 50 Hz, protection class IP55															
B IVAD 315/4/2 R F400	04133	6/23	7.6/15.3	2200/4400	1390/2810	Yes	39/59	0.25/1.10	0.8/2.4	2.9/14.4	777	60/400	43	SDZ 1 F	01943
B IVAD 315/4/2 F400	04141	7/25	7.9/15.7	2300/4500	1390/2810	No	37/58	0.25/1.10	0.8/2.4	2.9/14.4	777	60/400	43	SDZ 1 F	01943

¹⁾ measured in freefield conditions below 45°, at distance of 3 m

²⁾ For ventilation / smoke extraction (one-off 120 min.)