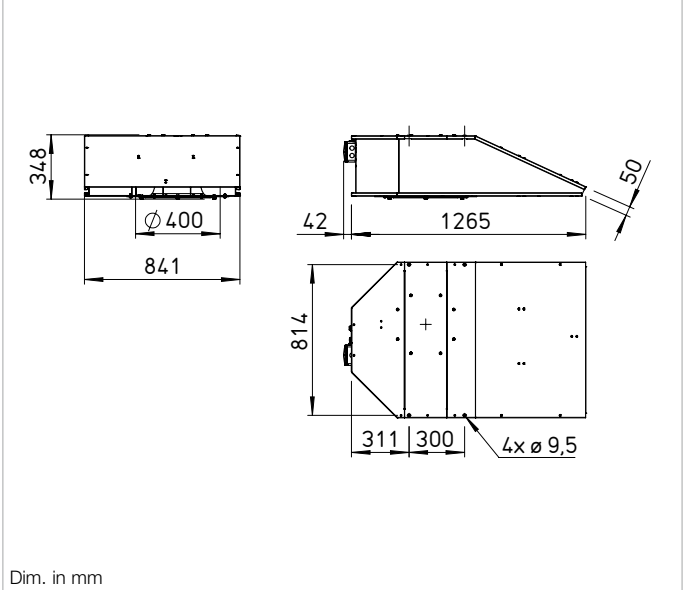


IVRW EC 400



Dimensions IVRW EC 400



High-quality, powerful jet fans with optimal dimensions for the smallest space requirements. Latest EC technology for economical ventilation solutions in garages and commercial applications. Suitable for supply and extract ventilation with air flow temperatures of up to 40 °C.

■ **Special features**

- Low noise emission.
- Highly efficient motor with EC technology.
- Variable control via 0 – 10 Volt signal.
- Maximum thrust.
- Aluminium casing in lightweight construction for high efficiency level.
- Quick and easy to install due to low weight.
- Centrifugal impeller powered directly from EC external rotor motor.
- Alternating current version.
- With internal potentiometer for setting the control voltage as standard. This allows any fan speed within the type specification.

■ **Casing**

Casing made of corrosion-resistant aluminium in compact design. Aerodynamically designed inlet nozzle.

■ **Impeller**

High-performance centrifugal impeller with backward curved blades. Dynamically balanced, quality class 6.3.

■ **Drive**

Highly efficient EC motor. In alternating current version (IVRW). Protection category IP54.

■ **Motor protection**

The integrated motor protection is fed to the casing terminal box for evaluation (250 V~/2 A). The fault signal is fed to the terminals. This allows effective motor protection.

■ **Installation**

With integrated mounting holes in the casing seam as standard for easy mounting to four attachment points directly on the ceiling (on-site mounting material). The use of anti-vibration mounts are recommended to prevent vibration transmission (SDZ, Accessories).

■ **Electrical connection**

Standard terminal box made of plastic (protection category IP55), outside on casing.

■ **Installation**

The Federal, state and regional rules and regulations must be observed for installation.

■ **Accessories**

Anti-vibration mounts for tensile loading (1 set = 4 pcs.)

SDZ 1 Ref. no. 01454
 Vibration dampers for tensile load for vibration and noise-insulating fan suspension. Details see page 169.

Five-step speed switch

SA-5 10 Ref. no. 40229
 Five-step switch for surface mounting. For five-step control of EC fans or frequency inverters. Steps from 2 to 10 V can be set via off-set. Protection class IP54.

SDZ 1



SA-5 10



Information	Page
Techn. description	148 f.
Accessory details	Page
Anti-vibration mounts	169

Type	Ref. no.	Thrust	Discharge speed	Max. output	Nominal speed	Sound pressure level ¹⁾ L _{PA}	Nominal motor power (output)	Nominal motor current	Wiring diagram	Max. air flow temperature	Net weight approx.	Anti-vibration mount (1 set = 4 pcs.)
		N	m/s	Ṃ m³/h	min ⁻¹	dB(A)	kW	A	No.	+ °C	kg	Type Ref. no.
40° Alternating current, 230 V, 50/60 Hz, protection category IP54												
IVRW EC 400	09802	50	33.0	4700	1950	64	1.3	6.40	1300	40	28	SDZ 1 01454

¹⁾ measured in freefield conditions below 45°, at distance of 3 m