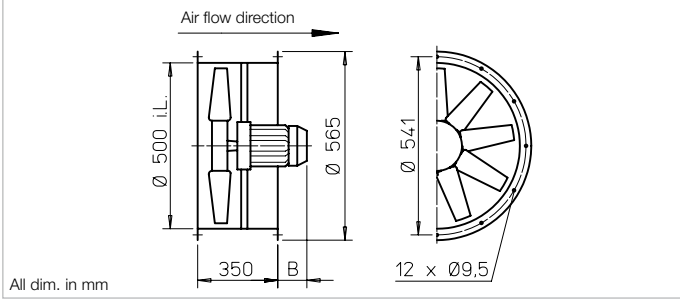


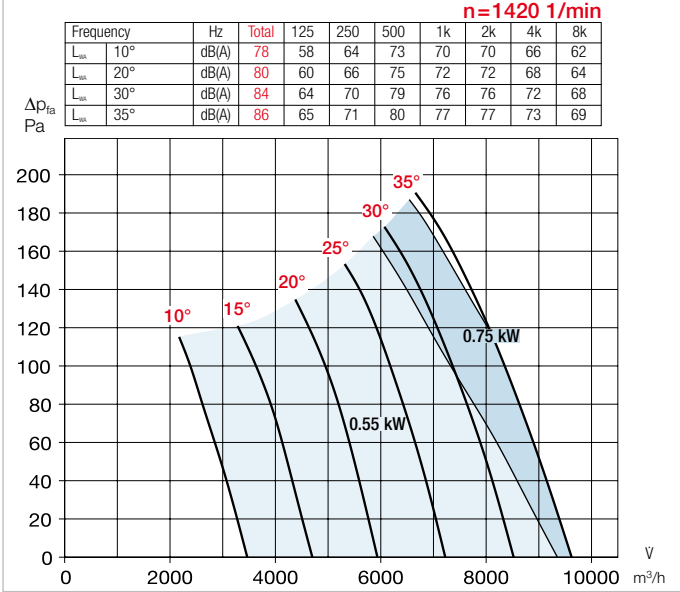
**B AVD 500**



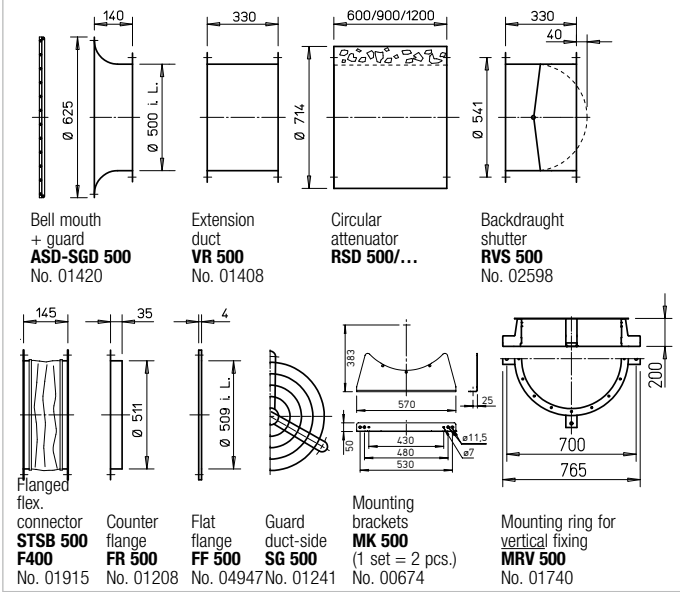
**Dimensions B AVD 500**



**Performance curves B AVD 500/4**



**Accessories for B AVD 500**



**Certification**

The smoke and heat exhaust fans B AVD have been tested according to DIN EN 12101-3.  
 Certificate of conformity:  
 F300: 0036-CPR-RG05-03  
 F400: 0036-CPR-RG05-06

**Information Page**

Techn. description	26 f.
Project planning information	13 ff.
<b>Accessory details</b>	
Mounting accessories	158 ff.
Attenuators	166
Gas warning systems, switch and control technology	168 ff.

Type	Ref. no.	Speed	Air flow volume (FID)	Motor pow. nom. (output)	No-minal voltage	Power consum. nom.	Pitch angle	Wiring diagram	Max. air flow temp. <sup>1)</sup>	Dim. B Motor protrusion	Net weight approx.	Pole switch surface-mounted		Anti-vibration mounts NG			
												Type	Ref. no.	Pressure	Tensile	Type	Ref. no.
		min <sup>-1</sup>	V m <sup>3</sup> /h	kW	V	A	°	No.	+°C	mm	kg	Type	Ref. no.	Type	Ref. no.	Type	Ref. no.
<b>F300</b> 3 phase motor, 50 Hz, protection class IP54																	
<b>B AVD 500/4 0.55 kW F300</b>	02315	1420	9360	0.55	400	1.23	*	776	40 / 300	41	36	<b>EVS-D 001</b>	04594	<b>SDD 1F</b>	01942	<b>SDZ 1F</b>	01943
<b>B AVD 500/4 0.75 kW F300</b>	02316	1420	9360	0.75	400	1.62	*	776	40 / 300	41	38	<b>EVS-D 001</b>	04594	<b>SDD 1F</b>	01942	<b>SDZ 1F</b>	01943
<b>F300</b> Pole-switching, 2 speed (Dahlander winding Y/Y), 3 phase motor, 50 Hz, protection class IP54																	
<b>B AVD 500/8/4 0.2/0.8 kW F300</b>	02319	690/1415	4680/9360	0.2/0.8	400	0.88/1.99	*	777	40 / 300	41	39	<b>on demand</b>		<b>SDD 1F</b>	01942	<b>SDZ 1F</b>	01943
<b>F400</b> 3 phase motor, 50 Hz, protection class IP54																	
<b>B AVD 500/4 0.55 kW F400</b>	02401	1420	9360	0.55	400	1.23	*	776	40 / 400	41	36	<b>EVS-D 001</b>	04594	<b>SDD 1F</b>	01942	<b>SDZ 1F</b>	01943
<b>B AVD 500/4 0.75 kW F400</b>	02402	1420	9360	0.75	400	1.62	*	776	40 / 400	41	38	<b>EVS-D 001</b>	04594	<b>SDD 1F</b>	01942	<b>SDZ 1F</b>	01943
<b>F400</b> Pole-switching, 2 speed (Dahlander winding Y/Y), 3 phase motor, 50 Hz, protection class IP54																	
<b>B AVD 500/8/4 0.2/0.8 kW F400</b>	02403	690/1415	4680/9360	0.2/0.8	400	0.88/1.99	*	777	40 / 400	41	39	<b>on demand</b>		<b>SDD 1F</b>	01942	<b>SDZ 1F</b>	01943

\* The flow volume and pressure increase information is required to determine the pitch angle.  
 1) For ventilation operation / smoke extraction (one time 120 min. at 300 °C or 120 min. at 400 °C).