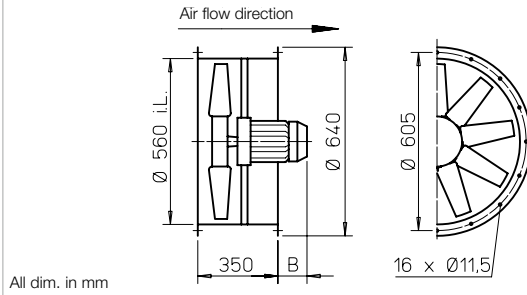


B AVD 560

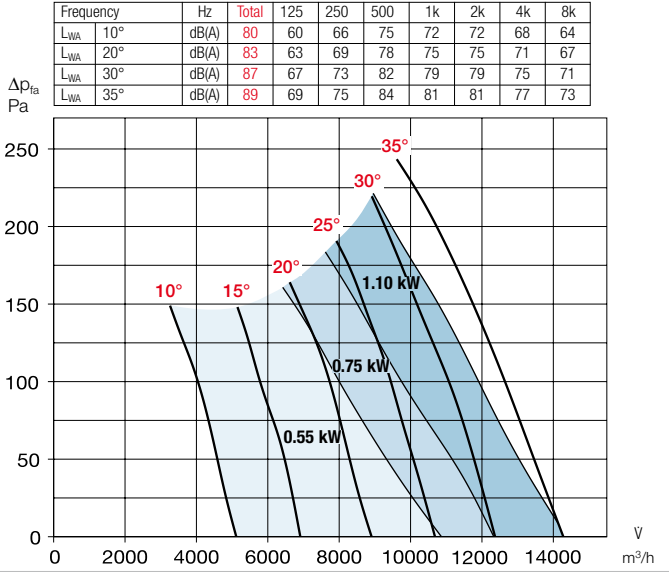


Dimensions B AVD 560

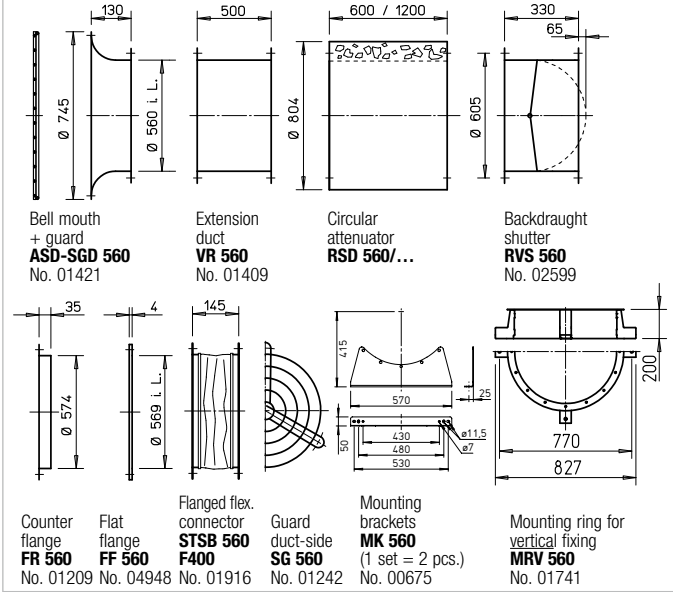


Performance curves B AVD 560/4

n = 1420 1/min



Accessories for B AVD 560



Certification

The smoke and heat exhaust fans B AVD have been tested according to DIN EN 12101-3. Certificate of conformity: F300: 0036-CPR-RG05-03 F400: 0036-CPR-RG05-06

Information

Information	Page
Techn. description	26 f.
Project planning information	13 ff.
Accessory details	
Mounting accessories	158 ff.
Attenuators	166
Gas warning systems, switch and control technology	168 ff.

Type	Ref. no.	Speed	Air flow volume (FID)	Motor pow. nom. (output)	No-minal voltage	Power consum. nom.	Pitch angle	Wiring diagram	Max. air flow temp. ¹⁾	Dim. B Motor protrusion	Net weight approx.	Pole switch surface-mounted		Anti-vibration mounts NG			
												Type	Ref. no.	Pressure	Tensile	Type	Ref. no.
F300 3 phase motor, 50 Hz, protection class IP54																	
B AVD 560/4 0.55 kW F300	02525	1420	10870	0.55	400	1.23	*	776	40 / 300	41	39	EVS-D 001	04594	SDD 1F	01942	SDZ 1F	01943
B AVD 560/4 0.75 kW F300	02324	1420	12340	0.75	400	1.62	*	776	40 / 300	41	41	EVS-D 001	04594	SDD 1F	01942	SDZ 1F	01943
B AVD 560/4 1.1 kW F300	02325	1455	14280	1.1	400	2.35	*	776	40 / 300	59	46	EVS-D 001	04594	SDD 1F	01942	SDZ 1F	01943
F300 Pole-switching, 2 speed (Dahlander winding), 3 phase motor, 50 Hz, protection class IP54																	
B AVD 560/8/4 0.15/0.6 kW F300	02526	710/1440	5570/11140	0.15/0.6	400	0.76/1.76	*	777	40 / 300	41	42	on demand		SDD 1F	01942	SDZ 1F	01943
B AVD 560/8/4 0.2/0.8 kW F300	02327	690/1415	6380/12760	0.2/0.8	400	0.88/1.99	*	777	40 / 300	41	42	on demand		SDD 1F	01942	SDZ 1F	01943
B AVD 560/8/4 0.3/1.2 kW F300	02328	705/1430	7140/14280	0.3/1.2	400	1.29/2.92	*	777	40 / 300	59	46	on demand		SDD 1F	01942	SDZ 1F	01943
B AVD 560/8/4 0.4/1.6 kW F300	02329	700/1420	7140/14280	0.4/1.6	400	1.69/3.80	*	777	40 / 300	84	48	on demand		SDD 1F	01942	SDZ 1F	01943
F400 3 phase motor, 50 Hz, protection class IP54																	
B AVD 560/4 0.55 kW F400	02556	1420	10870	0.55	400	1.23	*	776	40 / 400	41	39	EVS-D 001	04594	SDD 1F	01942	SDZ 1F	01943
B AVD 560/4 0.75 kW F400	02406	1420	12340	0.75	400	1.62	*	776	40 / 400	41	41	EVS-D 001	04594	SDD 1F	01942	SDZ 1F	01943
B AVD 560/4 1.1 kW F400	02407	1455	14280	1.1	400	2.35	*	776	40 / 400	59	46	EVS-D 001	04594	SDD 1F	01942	SDZ 1F	01943
F400 Pole-switching, 2 speed (Dahlander winding), 3 phase motor, 50 Hz, protection class IP54																	
B AVD 560/8/4 0.15/0.6 kW F400	02557	710/1440	5570/11140	0.15/0.6	400	0.76/1.76	*	777	40 / 400	41	42	on demand		SDD 1F	01942	SDZ 1F	01943
B AVD 560/8/4 0.2/0.8 kW F400	02409	690/1415	6380/12760	0.2/0.8	400	0.88/1.99	*	777	40 / 400	41	42	on demand		SDD 1F	01942	SDZ 1F	01943
B AVD 560/8/4 0.3/1.2 kW F400	02410	705/1430	7140/14280	0.3/1.2	400	1.29/2.92	*	777	40 / 400	59	46	on demand		SDD 1F	01942	SDZ 1F	01943
B AVD 560/8/4 0.4/1.6 kW F400	02411	700/1420	7140/14280	0.4/1.6	400	1.69/3.80	*	777	40 / 400	84	48	on demand		SDD 1F	01942	SDZ 1F	01943

* The flow volume and pressure increase information is required to determine the pitch angle.

¹⁾ For ventilation operation / smoke extraction (one time 120 min. at 300 °C or 120 min. at 400 °C).