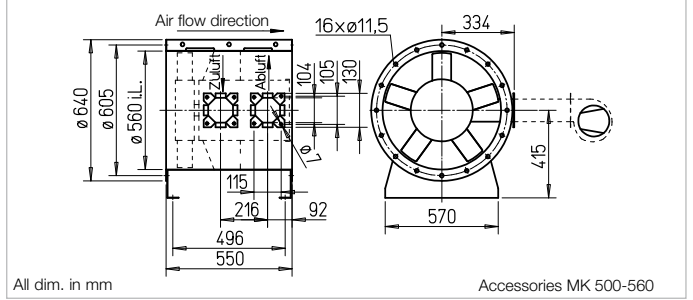


B AVD 560



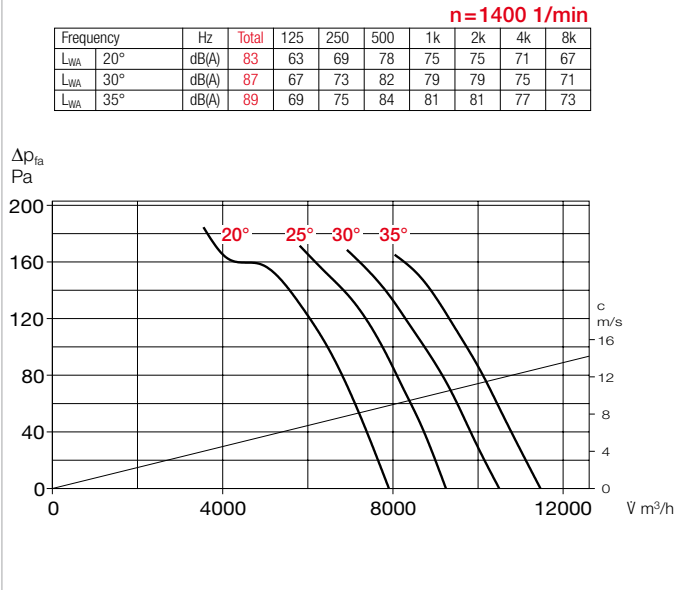
Dimensions B AVD 560



All dim. in mm

Accessories MK 500-560

Performance curves B AVD 560/4



Accessories for B AVD 560

Bell mouth + guard
ASD-SGD 560
 No. 01421

Extension duct
VR 560
 No. 01409

Flanged flex. connector
STSB 560 F600
 No. 02004

Counter flange
FR 560
 No. 0120904948

Flat flange
FF 560
 No. 01242

Guard duct-side
SG 560
 No. 01242

Mounting brackets
MK 560
 (1 set = 2 pcs.)
 No. 00675

Backdraught shutter
RVS 560
 No. 02599

Centrifugal cooling air fan
B KLG 500
 No. 02798

SD.. 1F
SD.. 4 - 10

Anti vibration mounts for tensile loading
SDZ* (1 set = 4 pcs.)
 Anti vibration mounts for pressure loading
SDD* (1 set = 4 pcs.)

* Type assignment see table, last column

■ Certification

The smoke and heat exhaust fans B AVD have been tested according to DIN EN 12101-3. Certificate of conformity: F600: 0036-CPR-RG05-04

■ Information Page

Techn. description	26 ff.
Project planning information	13 ff.
■ Accessory details	
Mounting accessories	158 ff.
Centrif. cooling air fan	160
Gas warning systems, switch and control technology	168 ff.

Type	Ref. no.	Speed	Air flow volume (FID)	Motor pow. nom. (output)	No-minal voltage	Power consum. nom.	Pitch angle	Wiring diagram	Max. air flow temp. ¹⁾	Dim. B Motor protrusion	Net weight approx.	Pole switch surface-mounted		Anti-vibration mounts NG			
												Type	Ref. no.	Pressure	Tensile ²⁾	Type	Ref. no.
		min ⁻¹	V m ³ /h	kW	V	A	°	No.	+°C	mm	kg	Type	Ref. no.	Type	Ref. no.	Type	Ref. no.
F600 3 phase motor, 50 Hz, protection class IP54																	
B AVD 560/4-20 F600	02819	1420	7960	0.55	400	1.23	20	776	600	—	71	EVS-D 007	04587	SDD 1F	01942	SDZ 1F	01943
B AVD 560/4-25 F600	02820	1420	9310	0.75	400	1.62	25	776	600	—	74	EVS-D 007	04587	SDD 1F	01942	SDZ 1F	01943
B AVD 560/4-30 F600	02821	1420	10570	0.75	400	1.62	30	776	600	—	74	EVS-D 007	04587	SDD 1F	01942	SDZ 1F	01943
B AVD 560/4-35 F600	02822	1455	11630	1.10	400	2.35	35	776	600	—	79	EVS-D 007	04587	SDD 1F	01942	SDZ 1F	01943

¹⁾ Smoke extraction (one time 120 min.). ²⁾ Types SDZ not permitted for installation in fire zone.