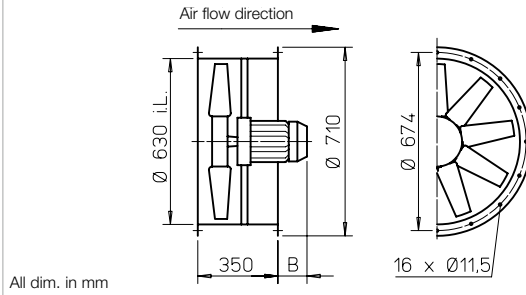


B AVD 630



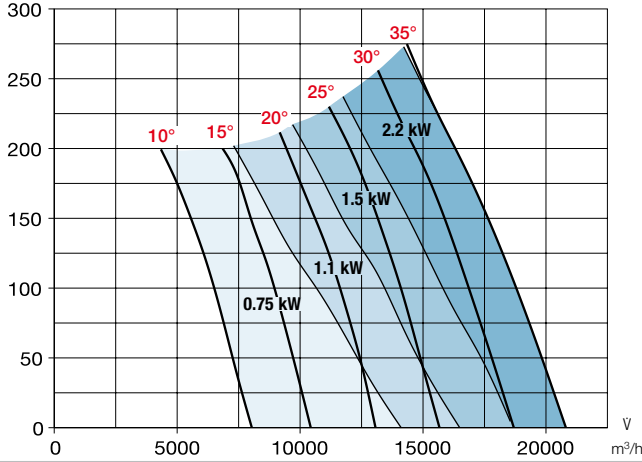
Dimensions B AVD 630



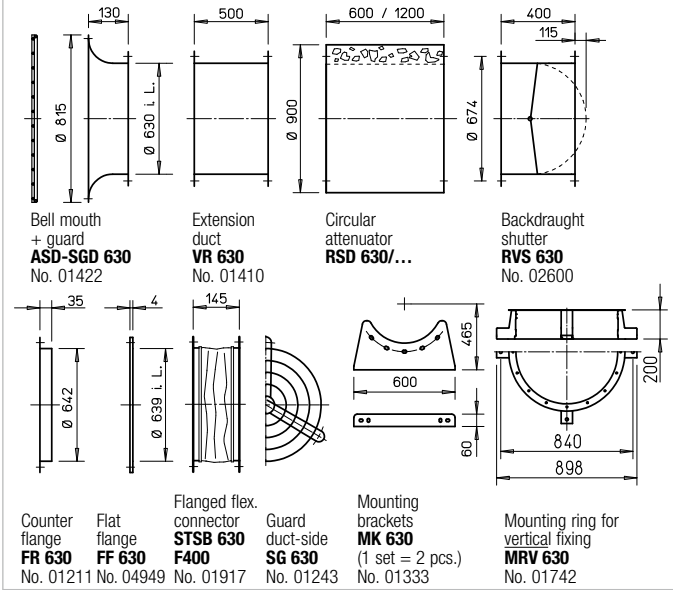
Performance curves B AVD 630/4

n = 1420 1/min

| Frequency | Hz | Total | 125 | 250 | 500 | 1k | 2k | 4k | 8k |
|---------------------|-------|-------|-----|-----|-----|----|----|----|----|
| L _{WA} 10° | dB(A) | 83 | 63 | 69 | 78 | 75 | 75 | 71 | 67 |
| L _{WA} 20° | dB(A) | 86 | 66 | 72 | 81 | 78 | 78 | 74 | 70 |
| L _{WA} 30° | dB(A) | 90 | 70 | 76 | 85 | 82 | 82 | 78 | 74 |
| L _{WA} 35° | dB(A) | 92 | 72 | 78 | 87 | 84 | 84 | 80 | 76 |



Accessories for B AVD 630



Certification

The smoke and heat exhaust fans B AVD have been tested according to DIN EN 12101-3. Certificate of conformity: F300: 0036-CPR-RG05-03 F400: 0036-CPR-RG05-06

Information

| Page | |
|--|---------|
| Techn. description | 26 f. |
| Project planning information | 13 ff. |
| Accessory details | |
| Mounting accessories | 158 ff. |
| Attenuators | 166 |
| Gas warning systems, switch and control technology | 168 ff. |

| Type | Ref. no. | Speed min ⁻¹ | Air flow volume (FID) V m ³ /h | Motor pow. nom. (output) kW | No-minal voltage V | Power consum. nom. A | Pitch angle ° | Wiring diagram No. | Max. air flow temp. ¹⁾ +°C | Dim. B Motor protrusion mm | Net weight approx. kg | Pole switch surface-mounted | | Anti-vibration mounts NG | | | | | |
|--|----------|-------------------------|---|-----------------------------|--------------------|----------------------|---------------|--------------------|---------------------------------------|----------------------------|-----------------------|-----------------------------|----------|--------------------------|----------|--------------|----------|--|--|
| | | | | | | | | | | | | Type | Ref. no. | Pressure Type | Ref. no. | Tensile Type | Ref. no. | | |
| F300 3 phase motor, 50 Hz, protection class IP54 | | | | | | | | | | | | | | | | | | | |
| B AVD 630/4 0.75 kW F300 | 02527 | 1420 | 14110 | 0.75 | 400 | 1.62 | * | 776 | 40 / 300 | 41 | 43 | EVS-D 001 | 04594 | SDD 1F | 01942 | SDZ 1F | 01943 | | |
| B AVD 630/4 1.1 kW F300 | 02335 | 1455 | 16500 | 1.1 | 400 | 2.35 | * | 776 | 40 / 300 | 59 | 48 | EVS-D 001 | 04594 | SDD 1F | 01942 | SDZ 1F | 01943 | | |
| B AVD 630/4 1.5 kW F300 | 02336 | 1450 | 18700 | 1.5 | 400 | 3.17 | * | 776 | 40 / 300 | 84 | 52 | EVS-D 001 | 04594 | SDD 1F | 01942 | SDZ 1F | 01943 | | |
| B AVD 630/4 2.2 kW F300 | 02337 | 1435 | 21030 | 2.2 | 400 | 4.56 | * | 776 | 40 / 300 | 121 | 61 | EVS-D 001 | 04594 | SDD 1F | 01942 | SDZ 1F | 01943 | | |
| F300 Pole-switching, 2 speed (Dahlander winding Y/Y), 3 phase motor, 50 Hz, protection class IP54 | | | | | | | | | | | | | | | | | | | |
| B AVD 630/8/4 0.2/0.8 kW F300 | 02338 | 690/1415 | 7210/14420 | 0.2/0.8 | 400 | 0.88/1.99 | * | 777 | 40 / 300 | 41 | 44 | on demand | | SDD 1F | 01942 | SDZ 1F | 01943 | | |
| B AVD 630/8/4 0.3/1.2 kW F300 | 02339 | 705/1430 | 8510/17020 | 0.3/1.2 | 400 | 1.29/2.92 | * | 777 | 40 / 300 | 59 | 49 | on demand | | SDD 1F | 01942 | SDZ 1F | 01943 | | |
| B AVD 630/8/4 0.4/1.6 kW F300 | 02528 | 700/1420 | 9520/19040 | 0.4/1.6 | 400 | 1.69/3.80 | * | 777 | 40 / 300 | 84 | 50 | on demand | | SDD 1F | 01942 | SDZ 1F | 01943 | | |
| B AVD 630/8/4 0.55/2.2 kW F300 | 02340 | 700/1430 | 10410/20810 | 0.55/2.2 | 400 | 2.00/4.84 | * | 777 | 40 / 300 | 121 | 55 | on demand | | SDD 1F | 01942 | SDZ 1F | 01943 | | |
| F400 3 phase motor, 50 Hz, protection class IP54 | | | | | | | | | | | | | | | | | | | |
| B AVD 630/4 0.75 kW F400 | 02558 | 1420 | 14110 | 0.75 | 400 | 1.62 | * | 776 | 40 / 400 | 41 | 43 | EVS-D 001 | 04594 | SDD 1F | 01942 | SDZ 1F | 01943 | | |
| B AVD 630/4 1.1 kW F400 | 02417 | 01455 | 16500 | 1.1 | 400 | 2.35 | * | 776 | 40 / 400 | 59 | 48 | EVS-D 001 | 04594 | SDD 1F | 01942 | SDZ 1F | 01943 | | |
| B AVD 630/4 1.5 kW F400 | 02418 | 1450 | 18700 | 1.5 | 400 | 3.17 | * | 776 | 40 / 400 | 84 | 52 | EVS-D 001 | 04594 | SDD 1F | 01942 | SDZ 1F | 01943 | | |
| B AVD 630/4 2.2 kW F400 | 02419 | 1435 | 20810 | 2.2 | 400 | 4.56 | * | 776 | 40 / 400 | 121 | 61 | EVS-D 001 | 04594 | SDD 1F | 01942 | SDZ 1F | 01943 | | |
| F400 Pole-switching, 2 speed (Dahlander winding Y/Y), 3 phase motor, 50 Hz, protection class IP54 | | | | | | | | | | | | | | | | | | | |
| B AVD 630/8/4 0.2/0.8 kW F400 | 02420 | 690/1415 | 7210/14420 | 0.2/0.8 | 400 | 0.88/1.99 | * | 777 | 40 / 400 | 41 | 44 | on demand | | SDD 1F | 01942 | SDZ 1F | 01943 | | |
| B AVD 630/8/4 0.3/1.2 kW F400 | 02421 | 705/1430 | 8510/17020 | 0.3/1.2 | 400 | 1.29/2.92 | * | 777 | 40 / 400 | 59 | 49 | on demand | | SDD 1F | 01942 | SDZ 1F | 01943 | | |
| B AVD 630/8/4 0.4/1.6 kW F400 | 02559 | 700/1420 | 9520/19040 | 0.4/1.6 | 400 | 1.69/3.80 | * | 777 | 40 / 400 | 84 | 50 | on demand | | SDD 1F | 01942 | SDZ 1F | 01943 | | |
| B AVD 630/8/4 0.55/2.2 kW F400 | 02422 | 700/1430 | 10410/20810 | 0.55/2.2 | 400 | 2.00/4.84 | * | 777 | 40 / 400 | 121 | 55 | on demand | | SDD 1F | 01942 | SDZ 1F | 01943 | | |

* The flow volume and pressure increase information is required to determine the pitch angle.

¹⁾ For ventilation operation / smoke extraction (one time 120 min. at 300 °C or 120 min. at 400 °C).