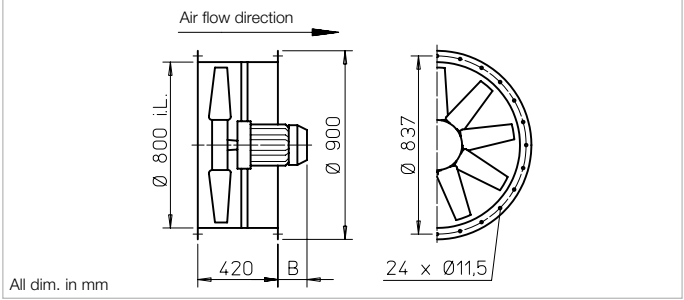


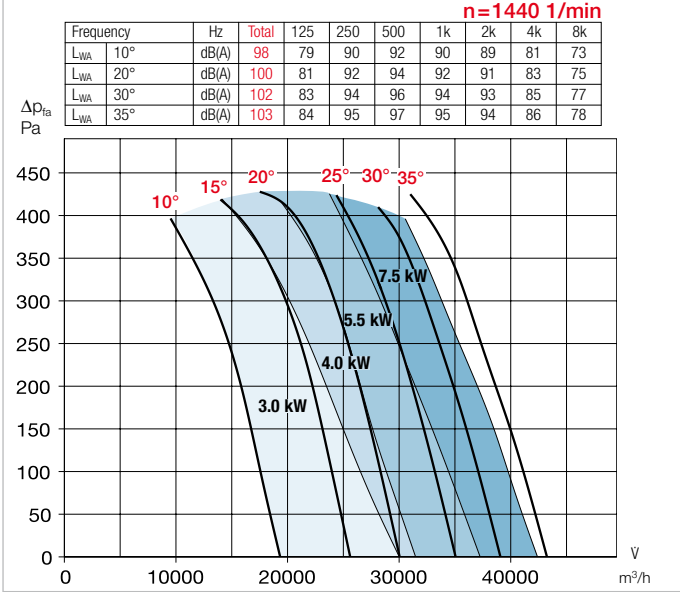
B AVD 800



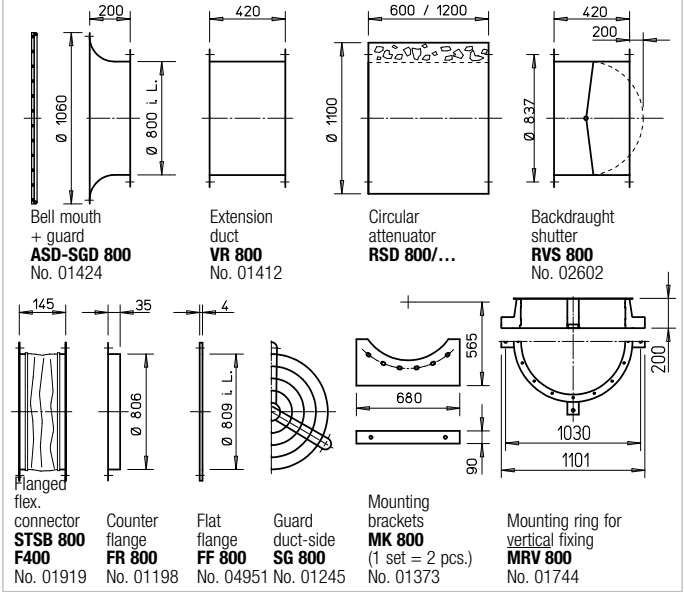
Dimensions B AVD 800



Performance curves B AVD 800/4



Accessories for B AVD 800



■ Certification

The B AVD have been tested according to DIN EN 12101-3. Certificate of conformity: F300: 0036-CPR-RG05-03 F400: 0036-CPR-RG05-06

■ Information

Page
Techn. description 26 ff.
Project planning information 13 ff.
■ Accessory details
Mounting accessories 158 ff.
Attenuators 166
Gas warning systems, switch and control technology 168 ff.

Type	Ref. no.	Speed min ⁻¹	Air flow volume (FD) V m ³ /h	Motor pow. nom. (output) kW	No-minal voltage V	Power consum. nom. A	Pitch angle °	Wiring diagram No.	Max. air flow temp. ¹⁾ +°C	Dim. B Motor protrusion mm	Net weight approx. kg	Pole switch surface-mounted Type	Anti-vibration mounts NG						
													Pressure		Tensile				
F300 3 phase motor, 50 Hz, protection class IP54																			
B AVD 800/4 3.0 kW F300	02352	1440	30020	3.0	400	6.15	*	776	40 / 300	211	89	EVS-SD 001 04586	SDD 5 1924	SDZ 5 01925					
B AVD 800/4 4.0 kW F300	02353	1450	31480	4.0	400	8.03	*	776	40 / 300	228	98	EVS-SD 001 04586	SDD 5 1924	SDZ 5 01925					
B AVD 800/4 5.5 kW F300	02354	1460	37300	5.5	400	10.40	*	776	40 / 300	267	126	EVS-SD 002 04585	SDD 5 1924	SDZ 5 01925					
B AVD 800/4 7.5 kW F300	02355	1460	42400	7.5	400	13.90	*	776	40 / 300	305	135	EVS-SD 003 04584	SDD 5 1924	SDZ 5 01925					
F300 Pole-switching, 2 speed (Dahlander winding Y/Y), 3 phase motor, 50 Hz, protection class IP54																			
B AVD 800/8/4 0.7/2.8 kW F300	02356	690/1410	14440/28880	0.7/2.8	400	2.41/6.01	*	777	40 / 300	211	89	on demand	SDD 5 1924	SDZ 5 01925					
B AVD 800/8/4 1.0/3.8 kW F300	02357	710/1440	15330/30660	1.0/3.8	400	2.75/8.26	*	777	40 / 300	228	98	on demand	SDD 5 1924	SDZ 5 01925					
B AVD 800/8/4 1.3/5.0 kW F300	02358	730/1440	17960/35920	1.3/5.0	400	3.50/10.4	*	777	40 / 300	267	128	on demand	SDD 5 1924	SDZ 5 01925					
B AVD 800/8/4 1.8/7.2 kW F300	02359	725/1430	20855/41710	1.8/7.2	400	4.64/14.4	*	777	40 / 300	305	140	on demand	SDD 5 1924	SDZ 5 01925					
F400 3 phase motor, 50 Hz, protection class IP54																			
B AVD 800/4 3.0 kW F400	02436	1440	30020	3.0	400	6.15	*	776	40 / 400	211	89	EVS-SD 001 04586	SDD 5 1924	SDZ 5 01925					
B AVD 800/4 4.0 kW F400	02437	1450	31480	4.0	400	8.03	*	776	40 / 400	228	103	EVS-SD 001 04586	SDD 5 1924	SDZ 5 01925					
B AVD 800/4 5.5 kW F400	02438	1460	37300	5.5	400	10.40	*	776	40 / 400	267	126	EVS-SD 002 04585	SDD 5 1924	SDZ 5 01925					
B AVD 800/4 7.5 kW F400	02439	1460	42400	7.5	400	13.90	*	776	40 / 400	305	135	EVS-SD 003 04584	SDD 5 1924	SDZ 5 01925					
F400 Pole-switching, 2 speed (Dahlander winding Y/Y), 3 phase motor, 50 Hz, protection class IP54																			
B AVD 800/8/4 0.7/2.8 kW F400	02440	690/1410	14440/28880	0.7/2.8	400	2.41/6.01	*	777	40 / 400	211	89	on demand	SDD 5 1924	SDZ 5 01925					
B AVD 800/8/4 1.0/3.8 kW F400	02441	710/1440	15330/30660	1.0/3.8	400	2.75/8.26	*	777	40 / 400	228	103	on demand	SDD 5 1924	SDZ 5 01925					
B AVD 800/8/4 1.3/5.0 kW F400	02442	730/1440	17960/35920	1.3/5.0	400	3.50/10.4	*	777	40 / 400	267	128	on demand	SDD 5 1924	SDZ 5 01925					
B AVD 800/8/4 1.8/7.2 kW F400	02443	725/1430	20855/41710	1.8/7.2	400	4.64/14.4	*	777	40 / 400	305	140	on demand	SDD 5 1924	SDZ 5 01925					

* The flow volume and pressure increase information is required to determine the pitch angle.
 1) For ventilation operation / smoke extraction (one time 120 min. at 300 °C or 120 min. at 400 °C).