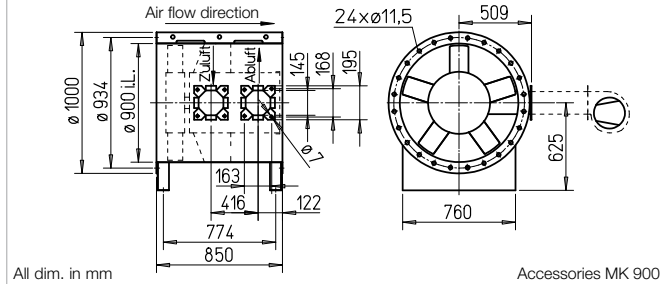


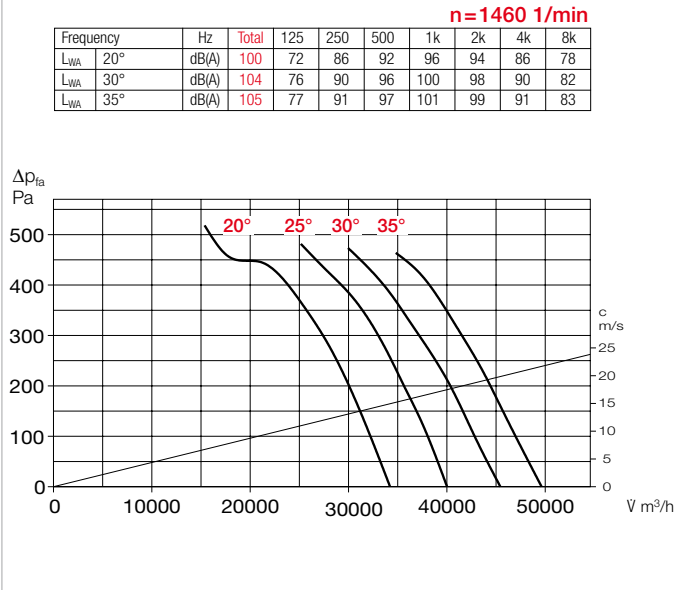
B AVD 900



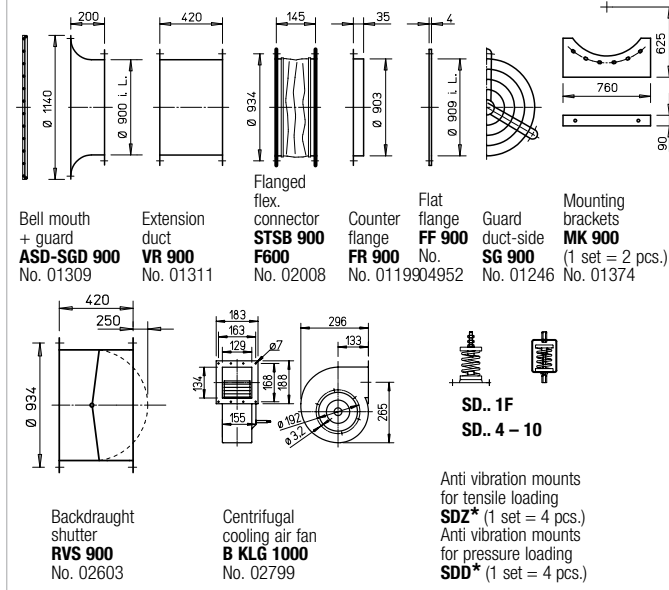
Dimensions B AVD 900



Performance curves B AVD 900/4



Accessories for B AVD 900



* Type assignment see table, last column

■ Certification

The smoke and heat exhaust fans B AVD have been tested according to DIN EN 12101-3. Certificate of conformity: F600: 0036-CPR-RG05-04

■ Information Page

Techn. description	26 f.
Project planning information	13 ff.
■ Accessory details	
Mounting accessories	158 ff.
Centrif. cooling air fan	160
Gas warning systems, switch and control technology	168 ff.

Type	Ref. no.	Speed min ⁻¹	Air flow volume (FID) V m ³ /h	Motor pow. nom. (output) kW	Nominal voltage V	Power consum. nom. A	Pitch angle °	Wiring diagram No.	Max. air flow temp. ¹⁾ +°C	Dim. B Motor protrusion mm	Net weight approx. kg	Pole switch surface-mounted		Anti-vibration mounts NG			
												Type	Ref. no.	Pressure Type	Ref. no.	Tensile ²⁾ Type	Ref. no.
F600 3 phase motor, 50 Hz, protection class IP54																	
B AVD 900/4-20 F600	02865	1460	34220	5.50	400	10.40	20	776	600	—	210	EVS-SD 028	04559	SDD 5	01924	SDZ 5	01925
B AVD 900/4-25 F600	02866	1460	39880	7.50	400	13.90	25	776	600	—	219	EVS-SD 029	04558	SDD 6	01926	SDZ 6	01927
B AVD 900/4-30 F600	02867	1470	45750	11.0	400	20.90	30	776	600	—	252	EVS-SD 030	04557	SDD 6	01926	SDZ 6	01927
B AVD 900/4-35 F600	02868	1465	50180	15.0	400	27.90	35	776	600	—	272	EVS-SD 031	04556	SDD 6	01926	SDZ 6	01927

¹⁾ Smoke extraction (one time 120 min.). ²⁾ Types SDZ not permitted for installation in fire zone.