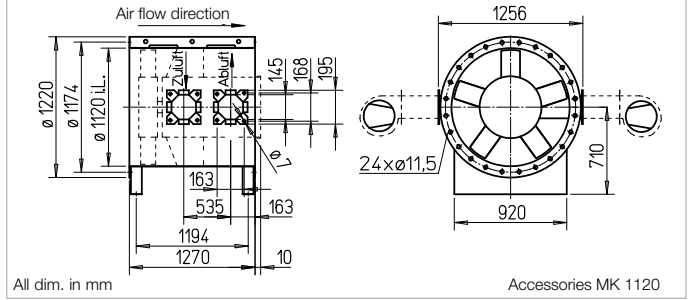


Dimensions B AVD 1120



Dimensions B AVD 1120



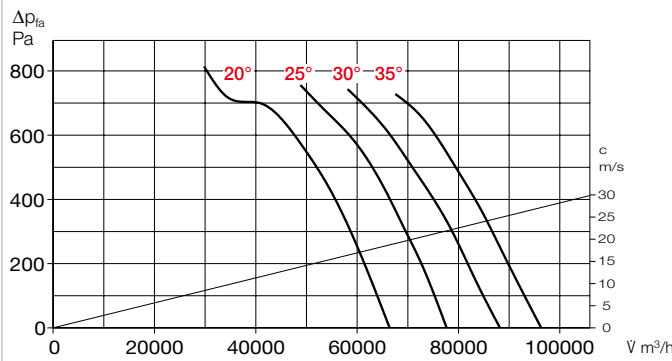
All dim. in mm

Accessories MK 1120

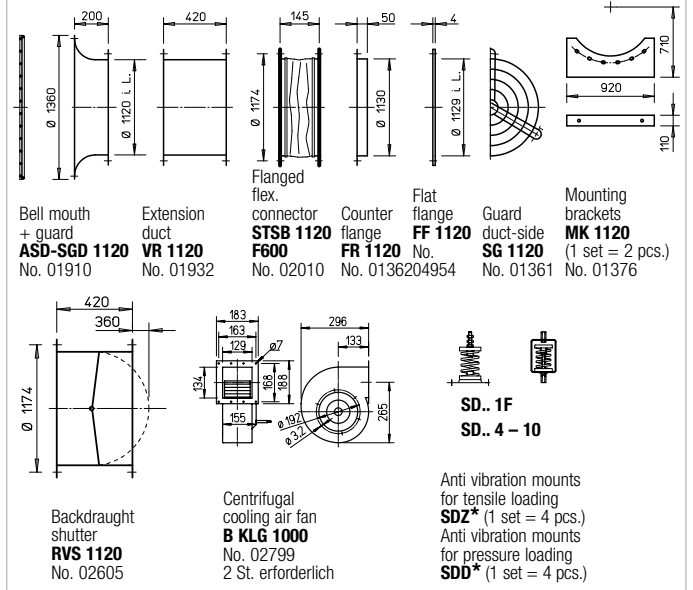
Performance curves B AVD 1120/4

Frequency		Hz	Total	125	250	500	1k	2k	4k	8k
L <sub>WA</sub>	20°	dB(A)	<b>107</b>	78	95	101	102	97	92	87
L <sub>WA</sub>	30°	dB(A)	<b>110</b>	81	98	104	105	100	95	90
L <sub>WA</sub>	35°	dB(A)	<b>112</b>	83	100	106	107	102	96	92

**n=1470 1/min**



Accessories for B AVD 1120



**■ Certification**

The smoke and heat exhaust fans B AVD have been tested according to DIN EN 12101-3. Certificate of conformity: F600: 0036-CPR-RG05-04

**■ Information** Page

Techn. description	26 f.
Project planning information	13 ff.
<b>■ Accessory details</b>	
Mounting accessories	158 ff.
Centrif. cooling air fan	160
Gas warning systems, switch and control technology	168 ff.

Type	Ref. no.	Speed min <sup>-1</sup>	Air flow volume (FID) V m <sup>3</sup> /h	Motor pow. nom. (output) kW	Nominal voltage V	Power consum. nom. A	Pitch angle °	Wiring diagram No.	Max. air flow temp. <sup>1)</sup> +°C	Dim. B Motor protrusion mm	Net weight approx. kg	Pole switch surface-mounted		Anti-vibration mounts NG			
												Type	Ref. no.	Pressure Type	Ref. no.	Tensile <sup>2)</sup> Type	Ref. no.
<b>F600 3 phase motor, 50 Hz, protection class IP54</b>																	
B AVD 1120/4-20 F600	02885	1470	66180	18.5	400	35.10	20	776	600	—	446	EVS-SD 033	04554	SDD 7	01928	SDZ 7	01929
B AVD 1120/4-25 F600	02886	1470	77390	22.0	400	41.0	25	776	600	—	468	EVS-SD 034	04552	SDD 7	01928	SDZ 7	01929
B AVD 1120/4-30 F600	02887	1480	88180	30.0	400	57.10	30	776	600	—	504	EVS-SD 035	04551	SDD 7	01928	SDZ 7	01929
B AVD 1120/4-35 F600	02888	1480	97370	37.0	400	66.80	35	776	600	10	645	EVS-SD 036	04550	SDD 8	01930	SDZ 8	01931

<sup>1)</sup> Smoke extraction (one time 120 min.). <sup>2)</sup> Types SDZ not permitted for installation in fire zone.