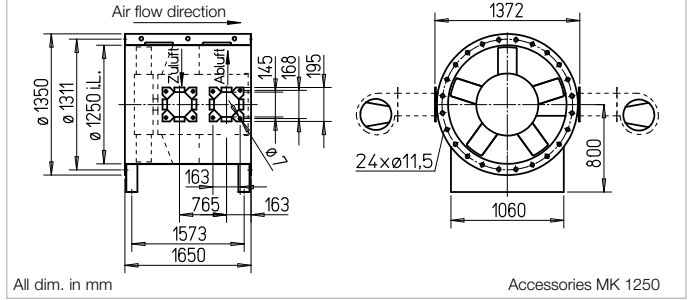


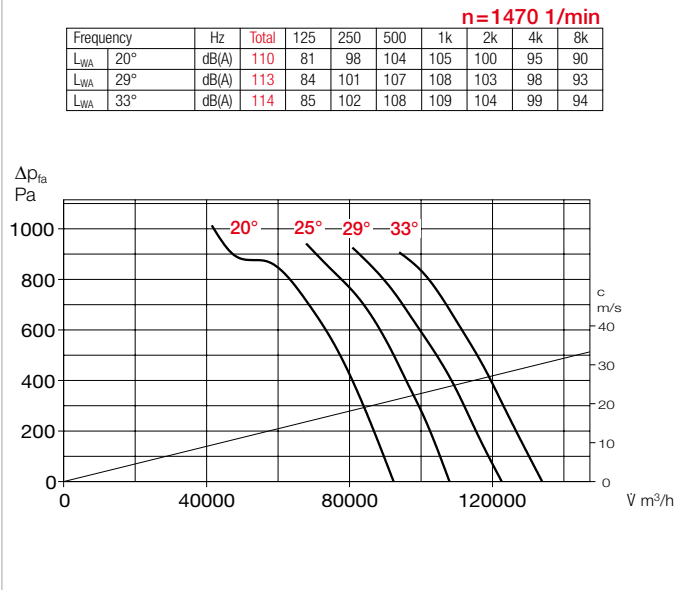
B AVD 1250



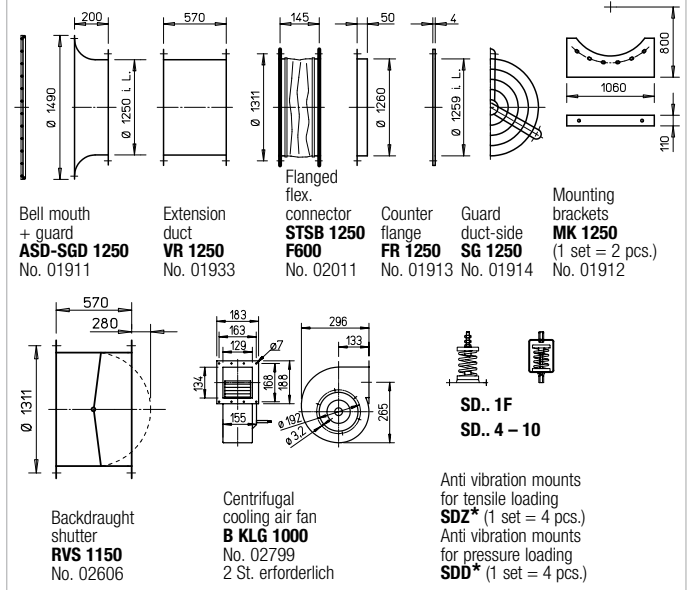
Dimensions B AVD 1250



Performance curves B AVD 1250/4



Accessories for B AVD 500



* Type assignment see table, last column

■ Certification

The smoke and heat exhaust fans B AVD have been tested according to DIN EN 12101-3. Certificate of conformity: F600: 0036-CPR-RG05-04

■ Information Page

Techn. description	26 f.
Project planning information	13 ff.
■ Accessory details	
Mounting accessories	158 ff.
Centrif. cooling air fan	160
Gas warning systems, switch and control technology	168 ff.

Type	Ref. no.	Speed min ⁻¹	Air flow volume (FID) V m ³ /h	Motor pow. nom. (output) kW	No-minal voltage V	Power consum. nom. A	Pitch angle °	Wiring diagram No.	Max. air flow temp. ¹⁾ +°C	Dim. B Motor protrusion mm	Net weight approx. kg	Pole switch surface-mounted		Anti-vibration mounts NG			
												Type	Ref. no.	Pressure Type	Ref. no.	Tensile ²⁾ Type	Ref. no.
F600 3 phase motor, 50 Hz, protection class IP54																	
B AVD 1250/4-20 F600	02893	1480	92320	30	400	57.10	20	776	600	—	595	EVS-SD 035	04551	SDD 8	01930	SDZ 8	01931
B AVD 1250/4-25 F600	02894	1480	108330	37	400	66.80	25	776	600	—	715	EVS-SD 036	04550	SDD 8	01930	SDZ 8	01931
B AVD 1250/4-29 F600	02895	1475	123000	45	400	80.90	29	776	600	—	736	EVS-SD 036	04550	SDD 8	01930	SDZ 8	01931
B AVD 1250/4-33 F600	02896	1480	135830	55	400	98.60	33	776	600	—	850	EVS-SD 037	04549	SDD 8	01930	SDZ 8	01931

¹⁾ Smoke extraction (one time 120 min.). ²⁾ Types SDZ not permitted for installation in fire zone.