

AMD / B AMD 500



Description, Installation, Casing, Air flow direction, etc. see page 46.

Impeller

- Hub and blades made from corrosion-resistant aluminium alloy. Ten aerodynamically profiled blades achieve the highest level of efficiency and pressure ratings together with the guide vane.
- Dynamically balanced, quality class 6.3 for low-vibration operation.
- Blades can be steplessly adjusted in the factory.

Motor

- Series AMD: Direct through efficient IE3 standard three phase motor. Pole-switching fans with IEC standard motor. Protection class IP55, insulation class F.

- Series B AMD: Direct through efficient IE3 three phase motor (smoke extraction motors F300 or F400). Pole-switching fans with IEC standard motor. Protection class IP55. Insulation class H. Fire-resistant external cable with sheathing.

Motor protrusion

For some types, the motor protrudes over the casing. Protrusion dimension B in mm must be observed according to the type table.

Motor protection

All types have PTC resistors from the terminal box. This must be bridged in smoke extraction mode for B AMD models.

Certification

The smoke ventilation fans B AMD have been tested according to DIN EN 12101-3. Certificate of performance reliability: F300: 0036-CPR-RG05-18 F400: 0036-CPR-RG05-19

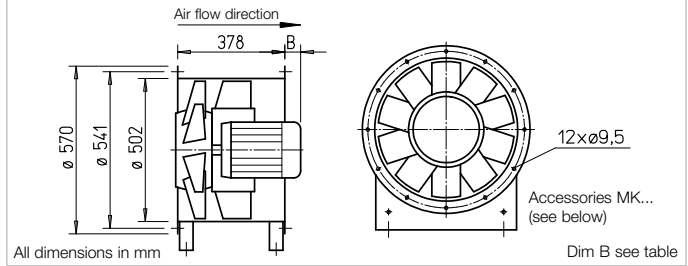
Information Page

| | |
|------------------------------|--------|
| Techn. description | 56 |
| Project planning information | 13 ff. |

Special designs

Special design with inspection open. (add. cost) upon request.

Dimensions AMD / B AMD 500



Description, Installation, Casing, Air flow direction, etc. see page 46.

Impeller

- Hub and blades made from corrosion-resistant aluminium alloy. Ten aerodynamically profiled blades achieve the highest level of efficiency and pressure ratings together with the guide vane.
- Dynamically balanced, quality class 6.3 for low-vibration operation.
- Blades can be steplessly adjusted in the factory.

Motor

- Series AMD: Direct through efficient IE3 standard three phase motor. Pole-switching fans with IEC standard motor. Protection class IP55, insulation class F.

- Series B AMD: Direct through efficient IE3 three phase motor (smoke extraction motors F300 or F400). Pole-switching fans with IEC standard motor. Protection class IP55. Insulation class H. Fire-resistant external cable with sheathing.

Motor protrusion

For some types, the motor protrudes over the casing. Protrusion dimension B in mm must be observed according to the type table.

Motor protection

All types have PTC resistors from the terminal box. This must be bridged in smoke extraction mode for B AMD models.

Electrical connection

- Series AMD: Standard plastic terminal box (protection class IP55), mounted to outside of duct.
- Series B AMD: Standard aluminium die-cast terminal box (protection class IP55), mounted to outside of duct.

Air flow temperatures

- Series AMD: Suitable for supply and extract ventilation from -20 °C to +60 °C continuous temperature. Types for higher air flow temperatures upon request.
- Series B AMD: Like series AMD, but also for smoke extraction according to the temperature classification up to 300 °C/120 min. and 400 °C/120 min.

Double pressure

Mounting package MP-Z for two-stage Z unit

For arrangement of two identical fans in a row, for highest pressure ratings. Scope of delivery: Extension ducts (2 pcs.) and assembly kit. Weight: 15 kg

MP-Z 500

Ref. no. 04907

Double volume

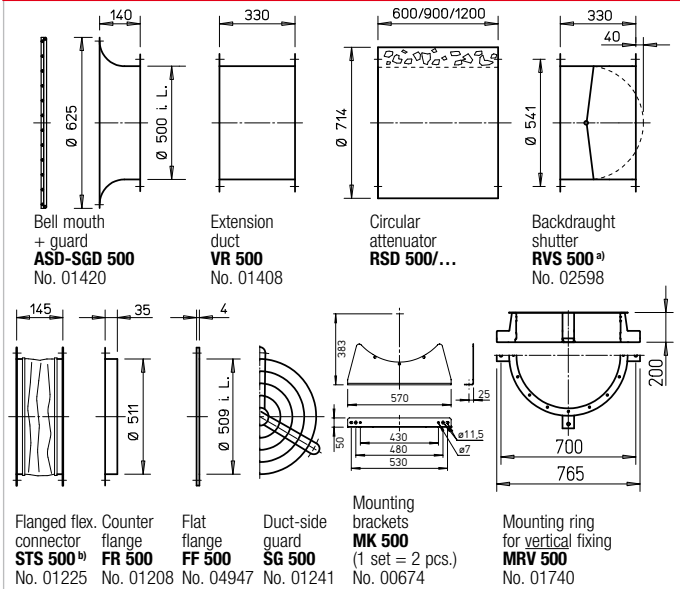
Mounting package MP-P for parallel P unit

For arrangement of two identical fans side by side, for highest flow rates. Scope of delivery: Extension ducts, backdraught shutter, mounting rails (2 pcs. each), mounting brackets (4 pcs.) and assembly kits. Weight: 55 kg

MP-P 500

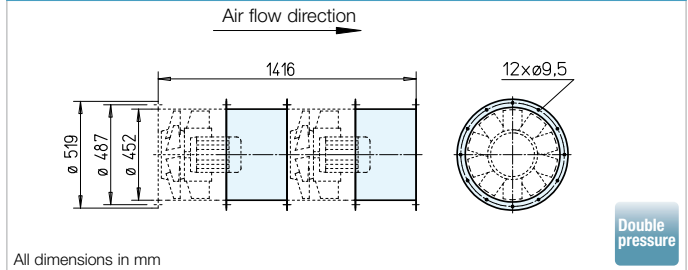
Ref. no. 04891

Accessories for AMD / B AMD 500

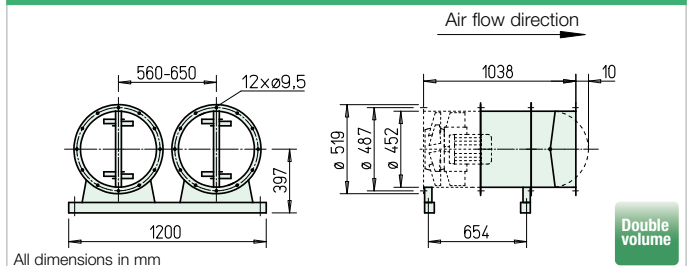


^{a)} Backdraught shutter, motorised, for ventilation, see main Helios catalogue. ^{b)} Type for B AMD: STSB 500 F400, No. 01915

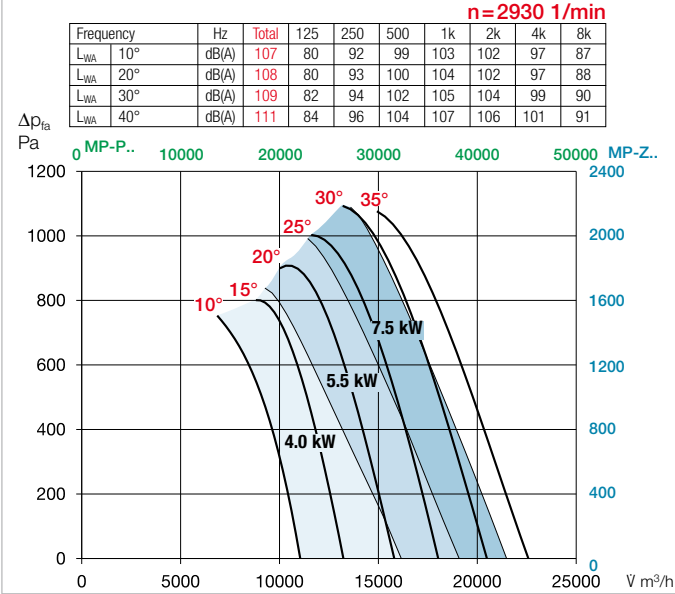
Dimensions MP-Z 500



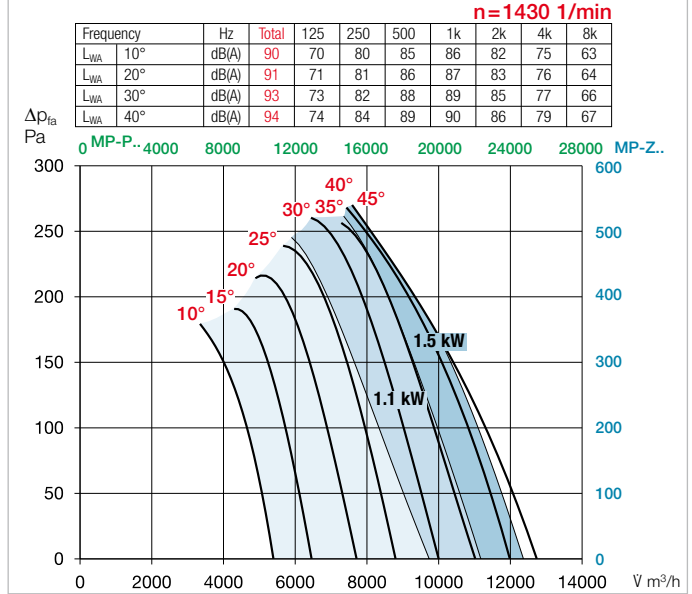
Dimensions MP-P 500



Performance curves AMD / B AMD 500/2



Performance curves AMD / B AMD 500/4



| Type | Ref. no. | Speed | Nominal motor power (output) | Nominal voltage | Nominal current | Dim. B motor protrusion | Wiring diagram | max. air flow temp. ¹⁾ | Net weight approx. | Full motor protection or Smoke exhaust fan control system | | Anti-vibration mounts ²⁾ | | | |
|---|----------|-----------|------------------------------|-------------------|-----------------|-------------------------|----------------|-----------------------------------|--------------------|---|----------------------------------|-------------------------------------|---------|---------------------|-------|
| | | | | | | | | | | Type | Ref. no. | Pressure | Tensile | | |
| | | | | | | | | | | | Type | Ref. no. | Type | Ref. no. | |
| 60° Three phase motor, 400 V, 50 Hz, protection class IP55 | | | | | | | | | | | | | | | |
| | | | | | | | | | | | Full motor protection | | | | |
| AMD 500/4 0.75 kW | 03118 | 1430 | 0.75 | 400 | 1.8 | 35 | 796 | 60 | 46 | MSA | 01289 | SDD 1 | 01452 | SDZ 1 | 01454 |
| AMD 500/4 1.1 kW | 03119 | 1440 | 1.1 | 400 | 2.5 | 60 | 796 | 60 | 50 | MSA | 01289 | SDD 1 | 01452 | SDZ 1 | 01454 |
| AMD 500/4 1.5 kW | 03122 | 1420 | 1.5 | 400 | 3.3 | 85 | 796 | 60 | 53 | MSA | 01289 | SDD 1 | 01452 | SDZ 1 | 01454 |
| AMD 500/2 4 kW | 03115 | 2910 | 4 | 400 ³⁾ | 7.4 | 175 | 776 | 60 | 83 | MSA | 01289 | SDD 1 | 01452 | SDZ 1 | 01454 |
| AMD 500/2 5.5 kW | 03116 | 2940 | 5.5 | 400 ³⁾ | 10.1 | 180 | 776 | 60 | 97 | MSA | 01289 | SDD 2 ⁴⁾ | 01453 | SDZ 2 ⁴⁾ | 01455 |
| AMD 500/2 7.5 kW | 03117 | 2930 | 7.5 | 400 ³⁾ | 14.1 | 220 | 776 | 60 | 102 | MSA | 01289 | SDD 2 ⁴⁾ | 01453 | SDZ 2 ⁴⁾ | 01455 |
| 60° Pole-switching, 2 speed, three phase motor, Dahlander winding Y/YY, 400 V, 50 Hz, protection class IP55 | | | | | | | | | | | | | | | |
| AMD 500/8/4 0.22/1.0 kW | 03275 | 645/1390 | 0.22/1.0 | 400 | 0.9/2.4 | 60 | 777 | 60 | 55 | — | — | SDD 1 | 01452 | SDZ 1 | 01454 |
| AMD 500/8/4 0.3/1.5 kW | 03276 | 645/1390 | 0.3/1.5 | 400 | 1.1/3.0 | 85 | 777 | 60 | 58 | — | — | SDD 1 | 01452 | SDZ 2 | 01455 |
| AMD 500/4/2 1.4/5.9 kW | 03273 | 1400/2900 | 1.4/5.9 | 400 | 3.6/11.4 | 180 | 777 | 60 | 118 | — | — | SDD 2 ⁴⁾ | 01453 | SDZ 2 ⁴⁾ | 01455 |
| AMD 500/4/2 2.0/8.0 kW | 03274 | 1410/2900 | 2.0/8.0 | 400 | 4.7/14.9 | 220 | 777 | 60 | 129 | — | — | SDD 2 ⁴⁾ | 01453 | SDZ 2 ⁴⁾ | 01455 |
| F300 Three phase motor, 400 V, 50 Hz, protection class IP55 | | | | | | | | | | | | | | | |
| | | | | | | | | | | | Smoke exhaust fan control system | | | | |
| B AMD 500/4 0.75 kW F300 | 03363 | 1430 | 0.75 | 400 | 1.8 | 18 | 776 | 60/300 | 48 | EVS-D 001 | 04594 | SDD 1F | 01942 | SDZ 1F | 01943 |
| B AMD 500/4 1.1 kW F300 | 03364 | 1440 | 1.1 | 400 | 2.5 | 37 | 776 | 60/300 | 54 | EVS-D 001 | 04594 | SDD 1F | 01942 | SDZ 1F | 01943 |
| B AMD 500/4 1.5 kW F300 | 03365 | 1440 | 1.5 | 400 | 3.3 | 62 | 776 | 60/300 | 57 | EVS-D 001 | 04594 | SDD 1F | 01942 | SDZ 1F | 01943 |
| B AMD 500/2 4 kW F300 | 03360 | 2910 | 4 | 400 ³⁾ | 7.4 | 116 | 776 | 60/300 | 93 | EVS-SD 001 | 04586 | SDD 4 ⁴⁾ | 01944 | SDZ 4 ⁴⁾ | 01945 |
| B AMD 500/2 5.5 kW F300 | 03361 | 2940 | 5.5 | 400 ³⁾ | 10.1 | 153 | 776 | 60/300 | 110 | EVS-SD 002 | 04585 | SDD 4 ⁴⁾ | 01944 | SDZ 4 ⁴⁾ | 01945 |
| B AMD 500/2 7.5 kW F300 | 03362 | 2930 | 7.5 | 400 ³⁾ | 14.1 | 192 | 776 | 60/300 | 118 | EVS-SD 003 | 04584 | SDD 5 ⁴⁾ | 01924 | SDZ 5 ⁴⁾ | 01925 |
| F300 Pole-switching, 2 speed, three phase motor, Dahlander winding Y/YY, 400 V, 50 Hz, protection class IP55 | | | | | | | | | | | | | | | |
| B AMD 500/8/4 0.3/1.2 kW F300 | 03368 | 715/1440 | 0.3/1.2 | 400 | 1.2/3.0 | 62 | 777 | 60/300 | 53 | EVS-DA 001 | 04548 | SDD 1F | 01942 | SDZ 1F | 01943 |
| B AMD 500/8/4 0.55/2.2 kW F300 | 03369 | 700/1430 | 0.55/2.2 | 400 | 2.0/4.8 | 98 | 777 | 60/300 | 63 | EVS-DA 001 | 04548 | SDD 1F | 01942 | SDZ 1F | 01943 |
| B AMD 500/4/2 1.1/4.4 kW F300 | 03366 | 1440/2890 | 1.1/4.4 | 400 | 2.8/8.6 | 116 | 777 | 60/300 | 94 | EVS-DA 053 | 04192 | SDD 4 ⁴⁾ | 01944 | SDZ 4 ⁴⁾ | 01945 |
| B AMD 500/4/2 2.0/8.0 kW F300 | 03367 | 1470/2930 | 2.0/8.0 | 400 | 4.8/15.3 | 153 | 777 | 60/300 | 118 | EVS-DA 054 | 04194 | SDD 5 ⁴⁾ | 01924 | SDZ 5 ⁴⁾ | 01925 |
| F400 Three phase motor, 400 V, 50 Hz, protection class IP55 | | | | | | | | | | | | | | | |
| B AMD 500/4 0.75 kW F400 | 03213 | 1430 | 0.75 | 400 | 1.63 | 18 | 776 | 60/400 | 47 | EVS-D 001 | 04594 | SDD 1F | 01942 | SDZ 1F | 01943 |
| B AMD 500/4 1.1 kW F400 | 03214 | 1440 | 1.1 | 400 | 2.4 | 37 | 776 | 60/400 | 55 | EVS-D 001 | 04594 | SDD 1F | 01942 | SDZ 1F | 01943 |
| B AMD 500/4 1.5 kW F400 | 03215 | 1440 | 1.5 | 400 | 3.26 | 62 | 776 | 60/400 | 57 | EVS-D 001 | 04594 | SDD 1F | 01942 | SDZ 1F | 01943 |
| B AMD 500/2 4 kW F400 | 03210 | 2910 | 4 | 400 ³⁾ | 7.72 | 116 | 776 | 60/400 | 95 | EVS-SD 001 | 04586 | SDD 4 ⁴⁾ | 01944 | SDZ 4 ⁴⁾ | 01945 |
| B AMD 500/2 5.5 kW F400 | 03211 | 2940 | 5.5 | 400 ³⁾ | 10.6 | 153 | 776 | 60/400 | 111 | EVS-SD 002 | 04585 | SDD 4 ⁴⁾ | 01944 | SDZ 4 ⁴⁾ | 01945 |
| B AMD 500/2 7.5 kW F400 | 03212 | 2930 | 7.5 | 400 ³⁾ | 13.9 | 192 | 776 | 60/400 | 122 | EVS-SD 003 | 04584 | SDD 5 ⁴⁾ | 01924 | SDZ 5 ⁴⁾ | 01925 |
| F400 Pole-switching, 2 speed, three phase motor, Dahlander winding Y/YY, 400 V, 50 Hz, protection class IP55 | | | | | | | | | | | | | | | |
| B AMD 500/8/4 0.3/1.2 kW F400 | 03218 | 715/1430 | 0.3/1.2 | 400 | 1.29/2.92 | 62 | 777 | 60/400 | 53 | EVS-DA 001 | 04548 | SDD 1F | 01942 | SDZ 1F | 01943 |
| B AMD 500/8/4 0.55/2.2 kW F400 | 03219 | 700/1430 | 0.55/2.2 | 400 | 2.0/4.84 | 98 | 777 | 60/400 | 63 | EVS-DA 001 | 04548 | SDD 1F | 01942 | SDZ 1F | 01943 |
| B AMD 500/4/2 1.1/4.4 kW F400 | 03216 | 1440/2890 | 1.1/4.4 | 400 | 2.79/8.59 | 116 | 777 | 60/400 | 94 | EVS-DA 053 | 04192 | SDD 4 ⁴⁾ | 01944 | SDZ 4 ⁴⁾ | 01945 |
| B AMD 500/4/2 2.0/8.0 kW F400 | 03217 | 1470/2930 | 2.0/8.0 | 400 | 4.83/15.3 | 153 | 777 | 60/400 | 118 | EVS-DA 054 | 04194 | SDD 5 ⁴⁾ | 01924 | SDZ 5 ⁴⁾ | 01925 |

The flow volume and pressure increase information is required to determine the pitch angle.
²⁾ For Z/P version due to higher total weight Type allocation according to tables on page 157.
⁴⁾ Extension duct VR.. required over the motor protrusion.

¹⁾ For ventilation / smoke extraction (once 120 min.).
³⁾ Y/Δ start-up.