

AMD / B AMD 630



■ **Description, Installation, Casing, Air flow direction, etc.** see page 46.

■ **Impeller**

- Hub and blades made from corrosion-resistant aluminium alloy. Ten aerodynamically profiled blades achieve the highest level of efficiency and pressure ratings together with the guide vane.
- Dynamically balanced, quality class 6.3 for low-vibration operation.
- Blades can be steplessly adjusted in the factory.

■ **Motor**

- Series AMD: Direct through efficient IE3 standard three phase motor. Pole-switching fans with IEC standard motor. Protection class IP55, insulation class F.

- Series B AMD: Direct through efficient IE3 three phase motor (smoke extraction motors F300 or F400). Pole-switching fans with IEC standard motor. Protection class IP55. Insulation class H. Fire-resistant external cable with sheathing.

■ **Motor protrusion**

For some types, the motor protrudes over the casing. Protrusion dimension B in mm must be observed according to the type table.

■ **Motor protection**

All types have PTC resistors from the terminal box. This must be bridged in smoke extraction mode for B AMD models.

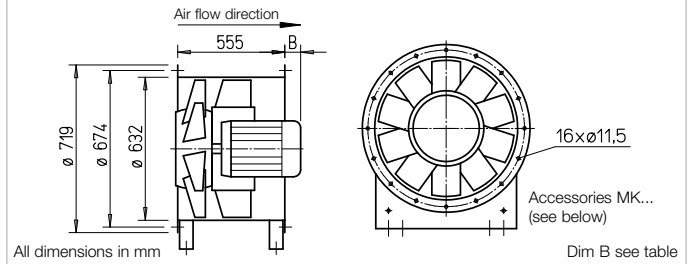
■ **Certification**

The smoke ventilation fans B AMD have been tested according to DIN EN 12101-3. Certificate of performance reliability: F300: 0036-CPR-RG05-18 F400: 0036-CPR-RG05-19

■ **Accessory details**

Accessory details	Page
Mounting accessories	161 ff.
Attenuators	166 ff.
Gas warning systems, switch and control technology	168 ff.
Frequency inverters	178 ff.

Dimensions AMD / B AMD 630



□ Series AMD: Suitable for supply and extract ventilation from -20 °C to +60 °C continuous temperature. Types for higher air flow temperatures upon request.

- Series B AMD: Like series AMD, but also for smoke extraction according to the temperature classification up to 300 °C/120 min. and 400 °C/120 min.

■ **Electrical connection**

- Series AMD: Standard plastic terminal box (protection class IP55), mounted to outside of duct.
- Series B AMD: Standard aluminium die-cast terminal box (protection class IP55), mounted to outside of duct.

■ **Air flow temperatures**

- Series AMD: Suitable for supply and extract ventilation from -20 °C to +60 °C continuous temperature. Types for higher air flow temperatures upon request.
- Series B AMD: Like series AMD, but also for smoke extraction according to the temperature classification up to 300 °C/120 min. and 400 °C/120 min.

Double pressure

■ **Mounting package MP-Z for two-stage Z unit**

For arrangement of two identical fans in a row, for highest pressure ratings. Scope of delivery: Extension ducts (2 pcs.) and assembly kit. Weight: 36 kg

MP-Z 630

Ref. no. 04909

Double volume

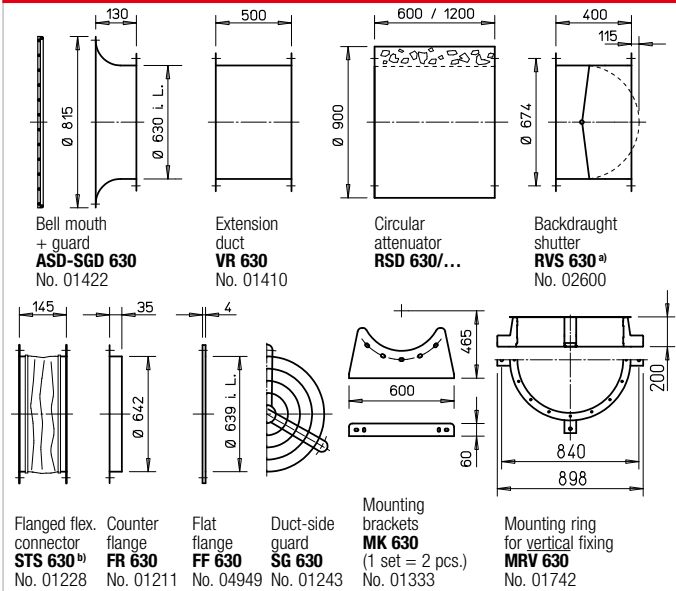
■ **Mounting package MP-P for parallel P unit**

For arrangement of two identical fans side by side, for highest flow rates. Scope of delivery: Extension ducts, backdraught shutter, mounting rails (2 pcs. each), mounting brackets (4 pcs.) and assembly kits. Weight: 110 kg

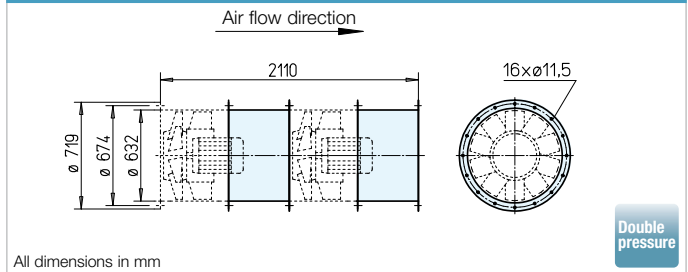
MP-P 630

Ref. no. 04893

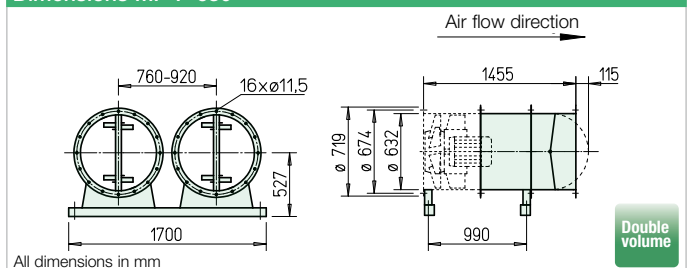
Accessories for AMD / B AMD 630



Dimensions MP-Z 630

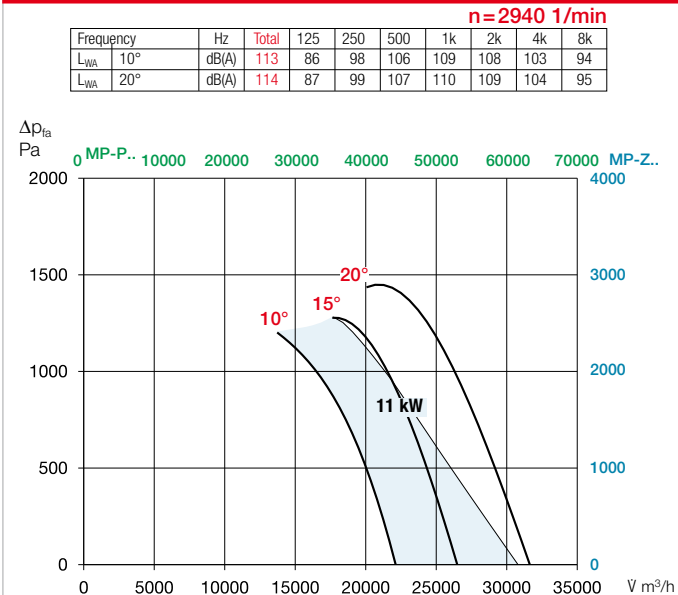


Dimensions MP-P 630

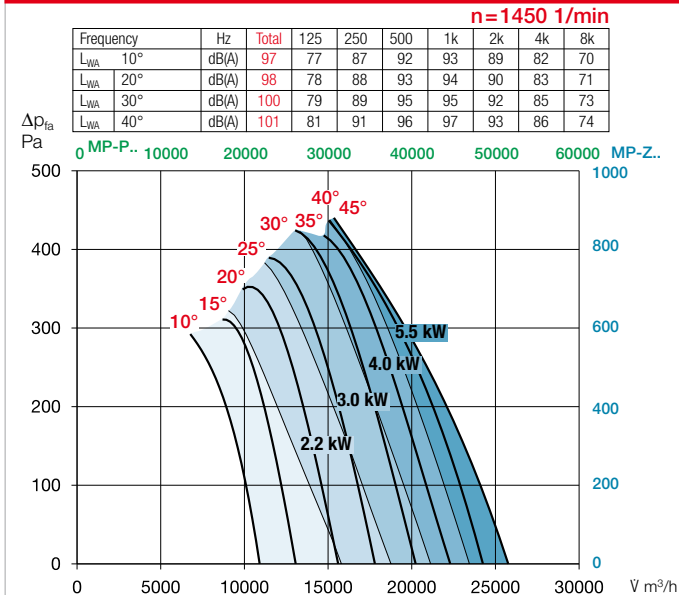


<sup>a)</sup> Backdraught shutter, motorised, for ventilation, see main Helios catalogue. <sup>b)</sup> Type for B AMD: STSB 630 F400, No. 01917

## Performance curves AMD / B AMD 630/2



## Performance curves AMD / B AMD 630/4



Information	Page	Special designs
Techn. description	56	Special design with inspection open. (add. cost) upon request.
Project planning information	13 ff.	

Type	Ref. no.	Speed	Nominal motor power (output)	Nominal voltage	Nominal current	Dim. B motor protrusion	Wiring diagram	max. air flow temp. <sup>1)</sup>	Net weight approx.	Full motor protection or Smoke exhaust fan control system	Anti-vibration mounts <sup>2)</sup>				
											min <sup>-1</sup>	kW	V	A	mm
<b>60° Three phase motor, 400 V, 50 Hz, protection class IP55</b>												Full motor protection			
AMD 630/2 11 kW	03376	2945	11.0	400 <sup>3)</sup>	20.0	145	776	60	210	MSA	01289	SDD 3	01367	SDZ 3	01366
AMD 630/4 1.5 kW	03291	1440	1.5	400	3.3	0	796	60	84	MSA	01289	SDD 2	01453	SDZ 2	01455
AMD 630/4 2.2 kW	03292	1455	2.2	400	4.5	0	796	60	84	MSA	01289	SDD 2	01453	SDZ 2	01455
AMD 630/4 3 kW	03293	1455	3	400 <sup>3)</sup>	6.0	0	776	60	99	MSA	01289	SDD 2	01453	SDZ 2	01455
AMD 630/4 4 kW	03294	1500	4	400 <sup>3)</sup>	7.4	30	776	60	94	MSA	01289	SDD 2	01453	SDZ 2	01455
AMD 630/4 5.5 kW	03295	1470	5.5	400 <sup>3)</sup>	10.7	40	776	60	115	MSA	01289	SDD 2	01453	SDZ 2	01455
<b>60° Pole-switching, 2 speed, three phase motor, Dahlander winding <math>\gamma/\gamma\gamma</math>, 400 V, 50 Hz, protection class IP55</b>												Smoke exhaust fan control system			
AMD 630/8/4 0.55/2.0 kW	03297	680/1410	0.55/2.0	400	2.0/4.5	0	777	60	98	—	—	SDD 2	01453	SDZ 2	01455
AMD 630/8/4 0.9/3.2 kW	03298	680/1420	0.9/3.2	400	3.2/7.1	30	777	60	104	—	—	SDD 2	01453	SDZ 2	01455
AMD 630/8/4 1.1/4.5 kW	03299	680/1435	1.1/4.5	400	3.6/9.3	40	777	60	130	—	—	SDD 2	01453	SDZ 2	01455
<b>F300 Three phase motor, 400 V, 50 Hz, protection class IP55</b>												Smoke exhaust fan control system			
B AMD 630/2 11 kW F300	05913	2945	11.0	400 <sup>3)</sup>	20.0	128	776	60/300	195	EVS-SD 004	04583	SDD 6	01926	SDZ 6	01927
B AMD 630/4 1.5 kW F300	03399	1440	1.5	400	3.3	0	776	60/300	88	EVS-D 001	04594	SDD 4	01944	SDZ 4	01945
B AMD 630/4 2.2 kW F300	03400	1455	2.2	400	4.5	0	776	60/300	93	EVS-D 001	04594	SDD 4	01944	SDZ 4	01945
B AMD 630/4 3 kW F300	03401	1455	3	400 <sup>3)</sup>	6.0	0	776	60/300	96	EVS-SD 001	04586	SDD 4	01944	SDZ 4	01945
B AMD 630/4 4 kW F300	03402	1460	4	400 <sup>3)</sup>	7.9	0	776	60/300	110	EVS-SD 001	04586	SDD 4	01944	SDZ 4	01945
B AMD 630/4 5.5 kW F300	03403	1470	5.5	400 <sup>3)</sup>	10.7	11	776	60/300	125	EVS-SD 002	04585	SDD 5	01924	SDZ 5	01925
<b>F300 Pole-switching, 2 speed, three phase motor, Dahlander winding <math>\gamma/\gamma\gamma</math>, 400 V, 50 Hz, protection class IP55</b>												Smoke exhaust fan control system			
B AMD 630/8/4 0.4/1.6 kW F300	03404	700/1440	0.4/1.6	400	1.7/4.0	0	777	60/300	86	EVS-DA 001	04548	SDD 4	01944	SDZ 4	01945
B AMD 630/8/4 0.55/2.2 kW F300	03405	700/1430	0.55/2.2	400	2.0/4.9	0	777	60/300	93	EVS-DA 001	04548	SDD 4	01944	SDZ 4	01945
B AMD 630/8/4 0.7/2.8 kW F300	03406	710/1440	0.7/2.8	400	2.5/6.0	0	777	60/300	96	EVS-DA 001	04548	SDD 4	01944	SDZ 4	01945
B AMD 630/8/4 1.0/3.8 kW F300	03407	710/1440	1.0/3.8	400	2.9/7.9	0	777	60/300	106	EVS-DA 001	04548	SDD 4	01944	SDZ 4	01945
B AMD 630/8/4 1.3/5.0 kW F300	03408	735/1475	1.3/5.0	400	3.8/10.4	11	777	60/300	131	EVS-DA 053	04192	SDD 5	01924	SDZ 5	01925
<b>F400 Three phase motor, 400 V, 50 Hz, protection class IP55</b>												Smoke exhaust fan control system			
B AMD 630/4 1.5 kW F400	03230	1440	1.5	400	3.3	0	776	60/400	88	EVS-D 001	04594	SDD 4	01944	SDZ 4	01945
B AMD 630/4 2.2 kW F400	03231	1455	2.2	400	4.5	0	776	60/400	95	EVS-D 001	04594	SDD 4	01944	SDZ 4	01945
B AMD 630/4 3 kW F400	03232	1455	3	400 <sup>3)</sup>	6.0	0	776	60/400	97	EVS-SD 001	04586	SDD 4	01944	SDZ 4	01945
B AMD 630/4 4 kW F400	03233	1460	4	400 <sup>3)</sup>	7.9	0	776	60/400	110	EVS-SD 001	04586	SDD 4	01944	SDZ 4	01945
B AMD 630/4 5.5 kW F400	03234	1470	5.5	400 <sup>3)</sup>	10.7	11	776	60/400	127	EVS-SD 002	04585	SDD 5	01924	SDZ 5	01925
<b>F400 Pole-switching, 2 speed, three phase motor, Dahlander winding <math>\gamma/\gamma\gamma</math>, 400 V, 50 Hz, protection class IP55</b>												Smoke exhaust fan control system			
B AMD 630/8/4 0.4/1.6 kW F400	03235	700/1440	0.4/1.6	400	1.7/4.0	0	777	60/400	86	EVS-DA 001	04548	SDD 4	01944	SDZ 4	01945
B AMD 630/8/4 0.55/2.2 kW F400	03236	700/1430	0.55/2.2	400	2.0/4.8	0	777	60/400	93	EVS-DA 001	04548	SDD 4	01944	SDZ 4	01945
B AMD 630/8/4 0.7/2.8 kW F400	03237	690/1440	0.7/2.8	400	2.5/6.0	0	777	60/400	96	EVS-DA 001	04548	SDD 4	01944	SDZ 4	01945
B AMD 630/8/4 1.0/3.8 kW F400	03238	710/1440	1.0/3.8	400	2.9/7.9	0	777	60/400	107	EVS-DA 001	04548	SDD 4	01944	SDZ 4	01945
B AMD 630/8/4 1.3/5.0 kW F400	03239	735/1475	1.3/5.0	400	3.8/10.4	11	777	60/400	131	EVS-DA 053	04192	SDD 5	01924	SDZ 5	01925

The flow volume and pressure increase information is required to determine the pitch angle.  
<sup>2)</sup> For Z/P version due to higher total weight Type allocation according to tables on page 157.

<sup>1)</sup> For ventilation / smoke extraction (once 120 min.).  
<sup>3)</sup>  $\gamma/\Delta$  start-up.