

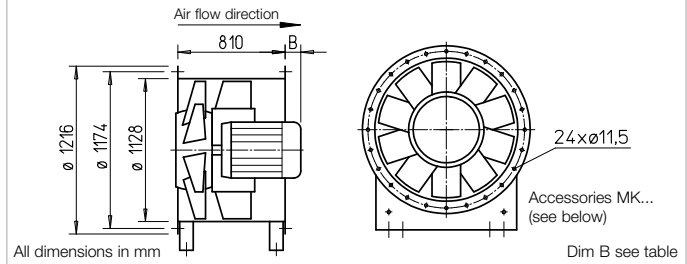
AMD / B AMD 1120



Certification

The smoke ventilation fans B AMD have been tested according to DIN EN 12101-3. Certificate of performance reliability: F300: 0036-CPR-RG05-18 F400: 0036-CPR-RG05-19

Dimensions AMD / B AMD 1120



Description, Installation, Casing, Air flow direction, etc. see page 46.

Impeller

- Hub and blades made from corrosion-resistant aluminium alloy. Ten aerodynamically profiled blades achieve the highest level of efficiency and pressure ratings together with the guide vane.
- Dynamically balanced, quality class 6.3 for low-vibration operation.
- Blades can be steplessly adjusted in the factory.

Motor

- Series AMD: Direct through efficient IE3 standard three phase motor. Pole-switching fans with IEC standard motor. Protection class IP55, insulation class F.

- Series B AMD: Direct through efficient IE3 three phase motor (smoke extraction motors F300 or F400). Pole-switching fans with IEC standard motor. Protection class IP55. Insulation class H. Fire-resistant external cable with sheathing.

Motor protrusion

For some types, the motor protrudes over the casing. Protrusion dimension B in mm must be observed according to the type table.

Motor protection

All types have PTC resistors from the terminal box. This must be bridged in smoke extraction mode for B AMD models.

Electrical connection

- Series AMD: Standard plastic terminal box (protection class IP55), mounted to outside of duct.
- Series B AMD: Standard aluminium die-cast terminal box (protection class IP55), mounted to outside of duct.

Air flow temperatures

- Series AMD: Suitable for supply and extract ventilation from -20 °C to +60 °C continuous temperature. Types for higher air flow temperatures upon request.
- Series B AMD: Like series AMD, but also for smoke extraction according to the temperature classification up to 300 °C/120 min. and 400 °C/120 min.

Double pressure

Mounting package MP-Z for two-stage Z unit

For arrangement of two identical fans in a row, for highest pressure ratings. Scope of delivery: Extension ducts (2 pcs.) and assembly kit. Weight: 85 kg

MP-Z 1120 Ref. no. 04914

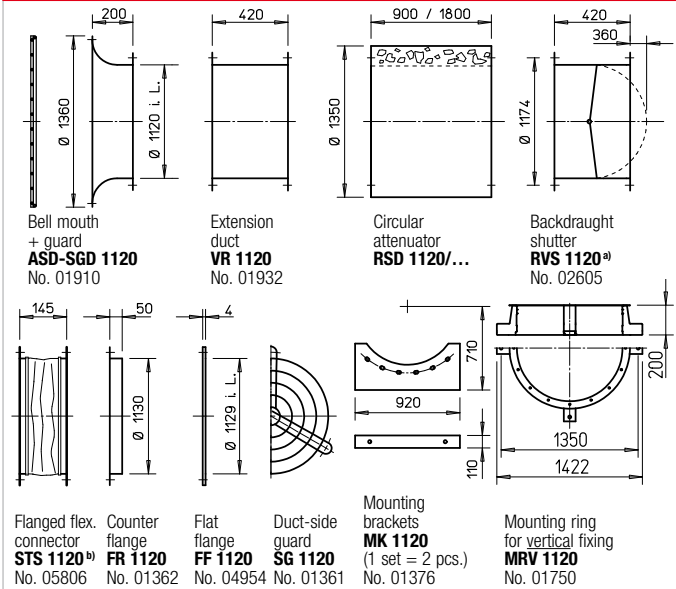
Double volume

Mounting package MP-P for parallel P unit

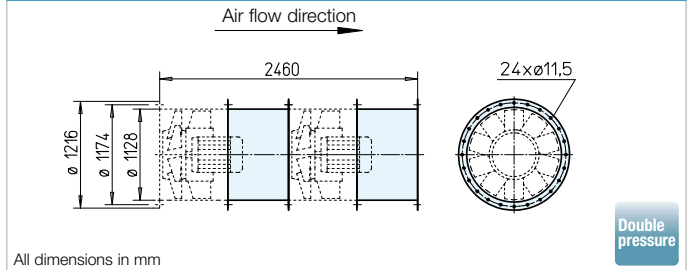
For arrangement of two identical fans side by side, for highest flow rates. Scope of delivery: Extension ducts, backdraught shutter, mounting rails (2 pcs. each), mounting brackets (4 pcs.) and assembly kits. Weight: 290 kg

MP-P 1120 Ref. no. 04898

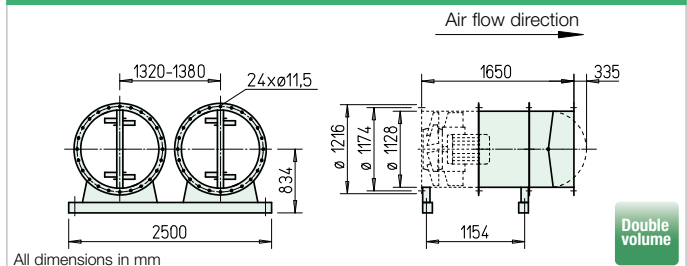
Accessories for AMD / B AMD 1120



Dimensions MP-Z 1120

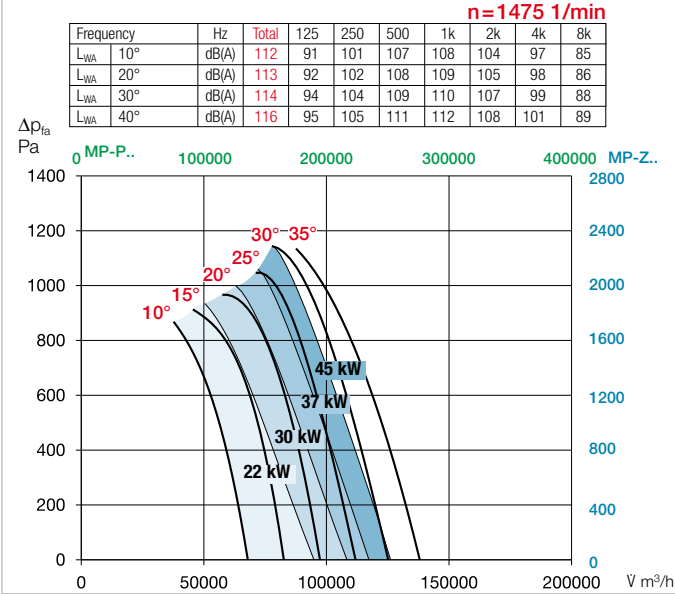


Dimensions MP-P 1120

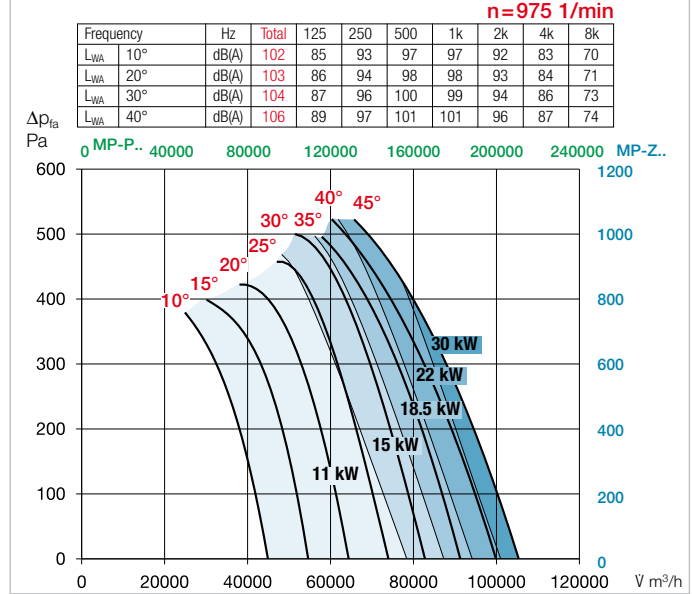


^{a)} Backdraught shutter, motorised, for ventilation, see main Helios catalogue. ^{b)} Type for B AMD: STSB 1120 F400, No. 01922

Performance curves AMD / B AMD 1120/4



Performance curves AMD / B AMD 1120/6



Information	Page
Techn. description	56
Project planning information	13 ff.

Special designs	Page
Special design with inspection open. (add. cost) upon request.	

Accessory details	Page
Mounting accessories	161 ff.
Attenuators	166 ff.
Gas warning systems, switch and control technology	168 ff.
Frequency inverters	178 ff.

Type	Ref. no.	Speed	Nominal motor power (output)	Nominal voltage	Nominal current	Dim. B motor protrusion	Wiring diagram	max. air flow temp. ¹⁾	Net weight approx.	Full motor protection or Smoke exhaust fan control system		Anti-vibration mounts ²⁾					
										Type	Ref. no.	Type	Ref. no.	Type	Ref. no.		
60° Three phase motor, 400 V, 50 Hz, protection class IP55												Full motor protection					
AMD 1120/6 11 kW	03899	975	11	400 ³⁾	21.9	25	776	60	400	MSA	01289	SDD 3	01367	SDZ 7	01929		
AMD 1120/6 15 kW	03900	975	15	400 ³⁾	28.2	100	776	60	430	MSA	01289	SDD 3	01367	SDZ 7	01929		
AMD 1120/6 18.5 kW	03901	980	18.5	400 ³⁾	35.9	150	776	60	489	MSA	01289	SDD 3	01367	SDZ 7	01929		
AMD 1120/6 22 kW	03902	980	22	400 ³⁾	42.4	150	776	60	508	MSA	01289	SDD 3	01367	SDZ 8	01931		
AMD 1120/6 30 kW	03903	985	30	400 ³⁾	56.0	190	776	60	544	MSA	01289	SDD 3	01367	SDZ 8	01931		
AMD 1120/4 22 kW	03953	1470	22	400 ³⁾	41.0	100	776	60	484	MSA	01289	SDD 3	01367	SDZ 7	01929		
AMD 1120/4 30 kW	03954	1480	30	400 ³⁾	57.1	150	776	60	535	MSA	01289	SDD 3	01367	SDZ 7	01929		
AMD 1120/4 37 kW	03955	1480	37	400 ³⁾	66.8	165	776	60	592	MSA	01289	SDD 3 ⁴⁾	01367	SDZ 8 ⁴⁾	01931		
AMD 1120/4 45 kW	03956	1475	45	400 ³⁾	80.9	190	776	60	614	MSA	01289	SDD 3 ⁴⁾	01367	SDZ 8 ⁴⁾	01931		
60° Pole-switching, 2 speed, three phase motor, Dahlander winding $\gamma/\gamma\gamma$, 400 V, 50 Hz, protection class IP55																	
AMD 1120/8/4 4.0/16.0 kW	03924	720/1460	4.0/16.0	400	10.6/30.9	60	777	60	405	—	—	SDD 3	01367	SDZ 7	01929		
AMD 1120/8/4 5.0/19.5 kW	03925	720/1470	5.0/19.5	400	12.9/37.2	100	777	60	490	—	—	SDD 3	01367	SDZ 7	01929		
AMD 1120/8/4 7.5/29.0 kW	03926	720/1470	7.5/29.5	400	18.9/54.7	150	777	60	535	—	—	SDD 3	01367	SDZ 8	01931		
AMD 1120/8/4 9.5/40.0 kW	03927	725/1475	9.5/40.0	400	24.4/72.1	190	777	60	590	—	—	SDD 3 ⁴⁾	01367	SDZ 8 ⁴⁾	01931		
F300 F400 Three phase motor, 400 V, 50 Hz, protection class IP55																	
F300/F400												F300/F400		F300/F400 Smoke exhaust fan control system			
B AMD 1120/6 11 kW	05921/03818	975	11	400 ³⁾	21.9	9/15	776	60/400	395/400	EVS-SD 004	04583	SDD 7	01928	SDZ 7	01929		
B AMD 1120/6 15 kW	05922/03819	975	15	400 ³⁾	28.2	69/75	776	60/400	440/445	EVS-SD 005	04582	SDD 7	01928	SDZ 7	01929		
B AMD 1120/6 18.5 kW	05923/03820	980	18.5	400 ³⁾	35.9	134/140	776	60/400	470/475	EVS-SD 006	04581	SDD 7	01928	SDZ 7	01929		
B AMD 1120/6 22 kW	05924/03821	980	22	400 ³⁾	42.4	134/140	776	60/400	480/485	EVS-SD 007	04580	SDD 8	01930	SDZ 8	01931		
B AMD 1120/6 30 kW	05956/03822	985	30	400 ³⁾	56.0	223/230	776	60/400	635/640	EVS-SD 008	04579	SDD 8	01930	SDZ 8	01931		
B AMD 1120/4 22 kW	05986/03619	1470	22	400 ³⁾	41.0	69/75	776	60/400	455/460	EVS-SD 007	04580	SDD 7	01928	SDZ 7	01929		
B AMD 1120/4 30 kW	05988/03620	1480	30	400 ³⁾	57.1	134/140	776	60/400	498/503	EVS-SD 008	04579	SDD 8	01930	SDZ 8	01931		
B AMD 1120/4 37 kW	05989/03621	1480	37	400 ³⁾	66.8	223/190	776	60/400	635/640	EVS-SD 009	04578	SDD 8 ⁴⁾	01930	SDZ 8 ⁴⁾	01931		
B AMD 1120/4 45 kW	05990/03622	1475	45	400 ³⁾	80.9	223/190	776	60/400	670/675	EVS-SD 009	04578	SDD 8 ⁴⁾	01930	SDZ 8 ⁴⁾	01931		
F300 F400 Pole-switching, 2 speed, three phase motor, Dahlander winding $\gamma/\gamma\gamma$, 400 V, 50 Hz, protection class IP55																	
F300/F400												F300/F400		F300/F400			
B AMD 1120/8/4 4.3/17 kW	06030/03962	730/1475	4.3/17.0	400	12.7/33.4	31/35	777	60/400	432/437	EVS-DA 055	04196	SDD 7	01928	SDZ 7	01929		
B AMD 1120/8/4 5.0/20 kW	06031/03963	730/1470	5.0/20.0	400	14.1/38.6	69/75	777	60/400	447/452	EVS-DA 004	04545	SDD 7	01928	SDZ 7	01929		
B AMD 1120/8/4 6.5/28 kW	06037/03964	735/1480	6.5/28.0	400	18.0/52.0	134	777	60/400	505/510	EVS-DA 056	04202	SDD 8	01930	SDZ 8	01931		
B AMD 1120/8/4 9.2/37 kW	06038/03965	740/1485	9.2/37.0	400	25.4/74.2	223	777	60/400	630/635	EVS-DA 057	04209	SDD 8 ⁴⁾	01930	SDZ 8 ⁴⁾	01931		
B AMD 1120/8/4 11/44 kW	06039/03966	740/1480	11.0/44.0	400	27.2/84.1	223	777	60/400	695/700	EVS-DA 057	04209	SDD 8 ⁴⁾	01930	SDZ 8 ⁴⁾	01931		

The flow volume and pressure increase information is required to determine the pitch angle.
²⁾ For Z/P version due to higher total weight Type allocation according to tables on page 157.
⁴⁾ Extension duct VR.. required over the motor protrusion.

¹⁾ For ventilation / smoke extraction (once 120 min.).
³⁾ γ/Δ start-up.