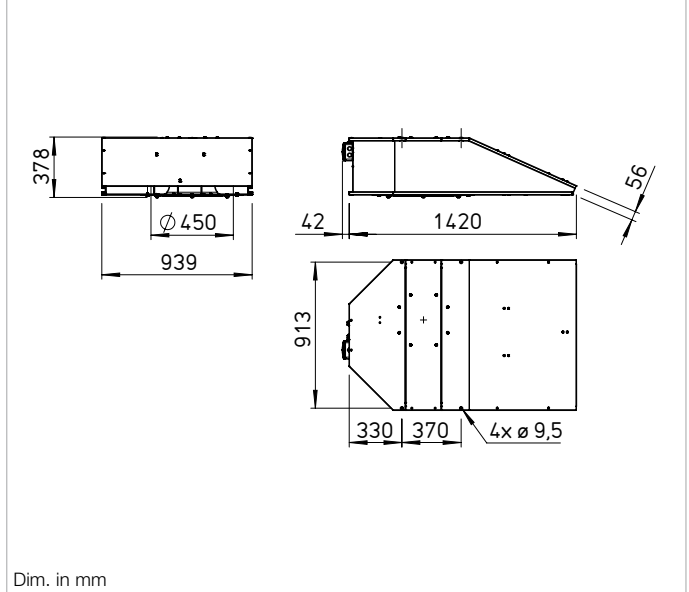


IVRD EC 450



Dimensions IVRD EC 450



Dim. in mm

High-quality, powerful jet fans with optimal dimensions for the smallest space requirements. Latest EC technology for economical ventilation solutions in garages and commercial applications. Suitable for supply and extract ventilation with air flow temperatures of up to 40 °C.

■ **Special features**

- Low noise emission.
- Highly efficient motor with EC technology.
- Variable control via 0 – 10 Volt signal.
- Maximum thrust.
- Aluminium casing in lightweight construction for top efficiency level.
- Quick and easy to install due to low weight.
- Centrifugal impeller powered directly from EC external rotor motor.
- Three-phase current version.
- With internal potentiometer for setting the control voltage as standard. This allows any fan speed within the type specification.

■ **Casing**

Casing made of corrosion-resistant aluminium in compact design. Aerodynamically designed inlet nozzle.

■ **Impeller**

High-performance centrifugal impeller with backward curved blades. Dynamically balanced, quality class 6.3.

■ **Drive**

Highly efficient EC motor. In three-phase current version (IVRD). Protection category IP54.

■ **Motor protection**

The integrated motor protection is fed to the casing terminal box for evaluation (250 V~/2 A). The fault signal is fed to the terminals. This allows effective motor protection.

■ **Installation**

With integrated mounting holes in the casing seam as standard for easy mounting to four attachment points directly on the ceiling (on-site mounting material). The use of anti-vibration mounts are recommended to prevent vibration transmission (SDZ, Accessories).

■ **Electrical connection**

Standard terminal box made of plastic (protection category IP55), outside on casing.

■ **Installation**

The Federal, state and regional rules and regulations must be observed for installation.

■ **Accessories**

Anti-vibration mounts for tensile loading (1 set = 4 pcs.)

SDZ 1



Information	Page
Techn. description	144 f.
Accessory details	Page
Anti-vibration mounts	163

Type	Ref. no.	Thrust	Discharge speed	Max. output	Nominal speed	Sound pressure level <sup>1)</sup> L <sub>PA</sub>	Nominal motor power (output)	Nominal motor current	Wiring diagram	Max. air flow temperature	Net weight approx.	Anti-vibration mount (1 set = 4 pcs.)
		N	m/s	∇ m³/h	min <sup>-1</sup>	dB(A)	kW	A	No.	+ °C	kg	Type Ref. no.
<b>Three-phase current, 400 V, 50/60 Hz, protection category IP54</b>												
IVRD EC 450	09803	75	36.0	6300	1800	68	1.8	2.90	1299	40	33	SDZ 1 01454