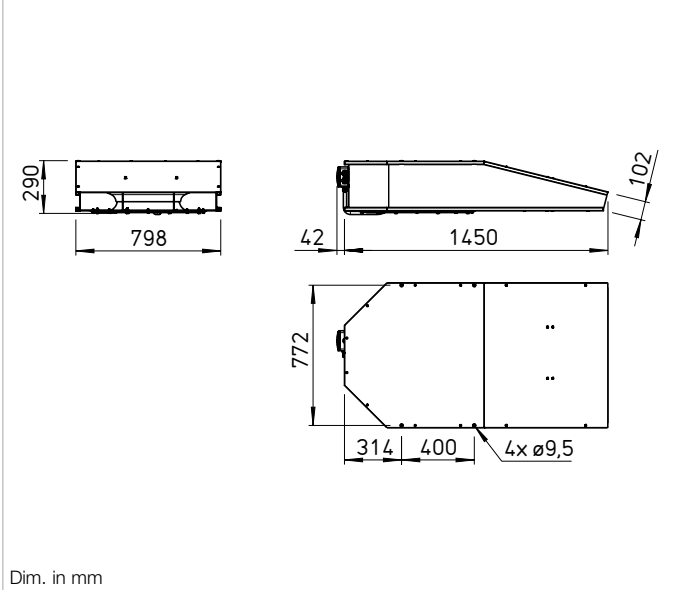


IVRD 500



Dimensions IVRD 500



Dim. in mm

High-quality, high-performance jet fans with optimal dimensions for minimum space requirement. Suitable for supply and extract ventilation of car parks with air flow temperatures up to 60 °C.

■ **Special features**

- Low noise emission.
- Maximum thrust.
- Easy and fast to install due to low weight (aluminium construction).
- Direct driven, centrifugal.

■ **Casing**

Casing made from corrosion-resistant aluminium in compact design. Aerodynamically shaped inlet nozzle. Permanent optimal surface protection through steel powder coating.

■ **Impeller**

High-performance centrifugal impeller with welded, backward curved blades. Dynamically balanced, quality class 6.3.

■ **Motor**

IEC three phase standard motor in protection class IP55.

■ **Motor protection**

All types are equipped with PTC resistors from the terminal boxes.

Thus, efficient motor protection is possible by means of full motor protection device (type MSA, Ref. no. 01289, Accessories) or FU (Accessories).

■ **Installation**

With integrated mounting brackets as standard, which are fixed directly to the ceiling using plugs (Accessories, on-site) at four fixing points. In order to prevent vibration transmission, the use of anti-vibration mounts is recommended (SDZ, Accessories, see table).

■ **Electrical connection**

Plastic terminal box (protection class IP55) as standard, outside on casing.

■ **Assembly**

The Federal, State and regional regulations and ordinances must be observed for the assembly.

■ **Accessories**

Anti-vibration mounts for tensile loading (1 set = 4 pcs.)



Information	Page
Techn. description	144 f.
Accessory details	Page
Anti-vibration mounts	163
Gas warning systems	168 f.

Type	Ref. no.	Thrust	Discharge speed	Max. output	Nominal speed	Sound pressure level ¹⁾ L _{PA}	Nominal motor power (output)	Nominal motor current		Wiring diagram	Max. air flow temperature ²⁾	Net weight approx.	Anti-vibration mount (1 set = 4 pcs.)	
								Operation	Start-up				Type	Ref. no.
		N	m/s	Ṃ m ³ /h	min ⁻¹	dB(A)	kW	A	A	No.	+ °C	kg		
Three phase motor, 400 V, 50 Hz, protection class IP55														
IVRD 500/4	04149	42	21.0	6100	1440	73	1.50	3.3	20.5	776	60	63	SDZ 2	01455
Pole-switching, 2 speed, three phase motor, Dahlander winding γ/γ, 400 V, 50 Hz, protection class IP55														
IVRD 500/8/4	04150	11/42	10.5/21.0	3000/6000	700/1420	55/73	0.40/1.60	1.7/3.8	5.4/21.7	777	60	61	SDZ 2	01455

¹⁾ measured in freefield conditions below 45°, at distance of 3 m