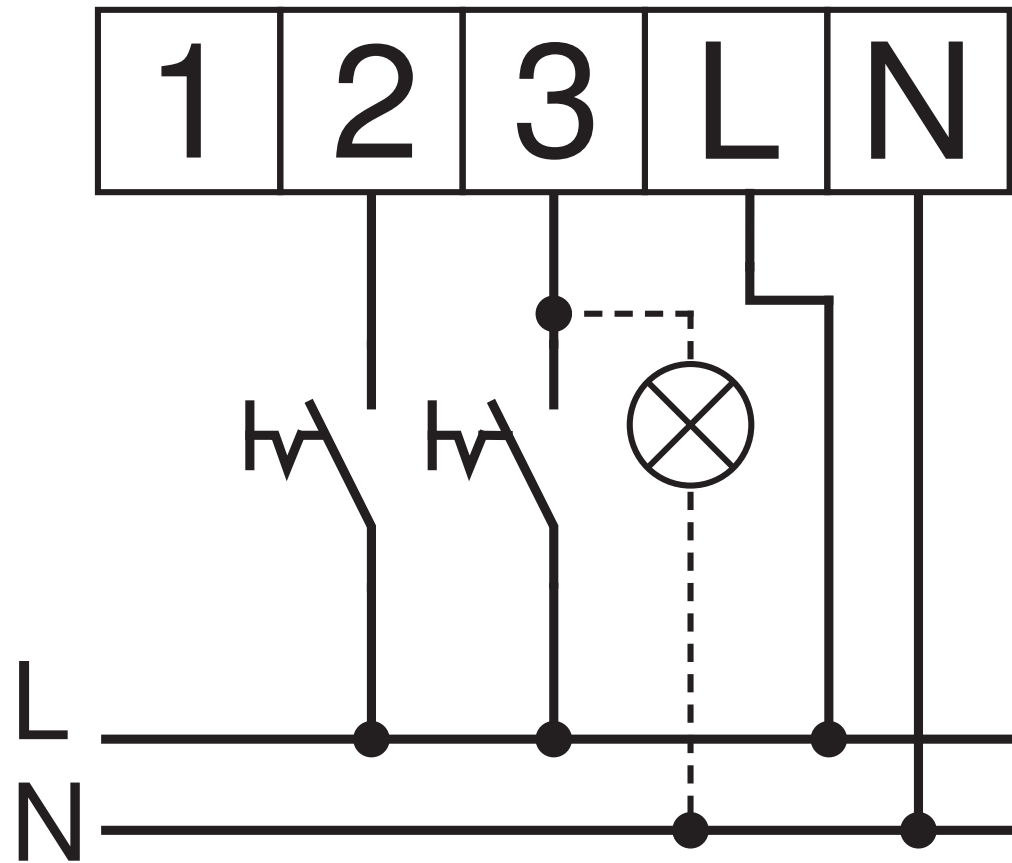


EC 100/60 SS-1163



3	100 m ³ /h
2	60 m ³ /h