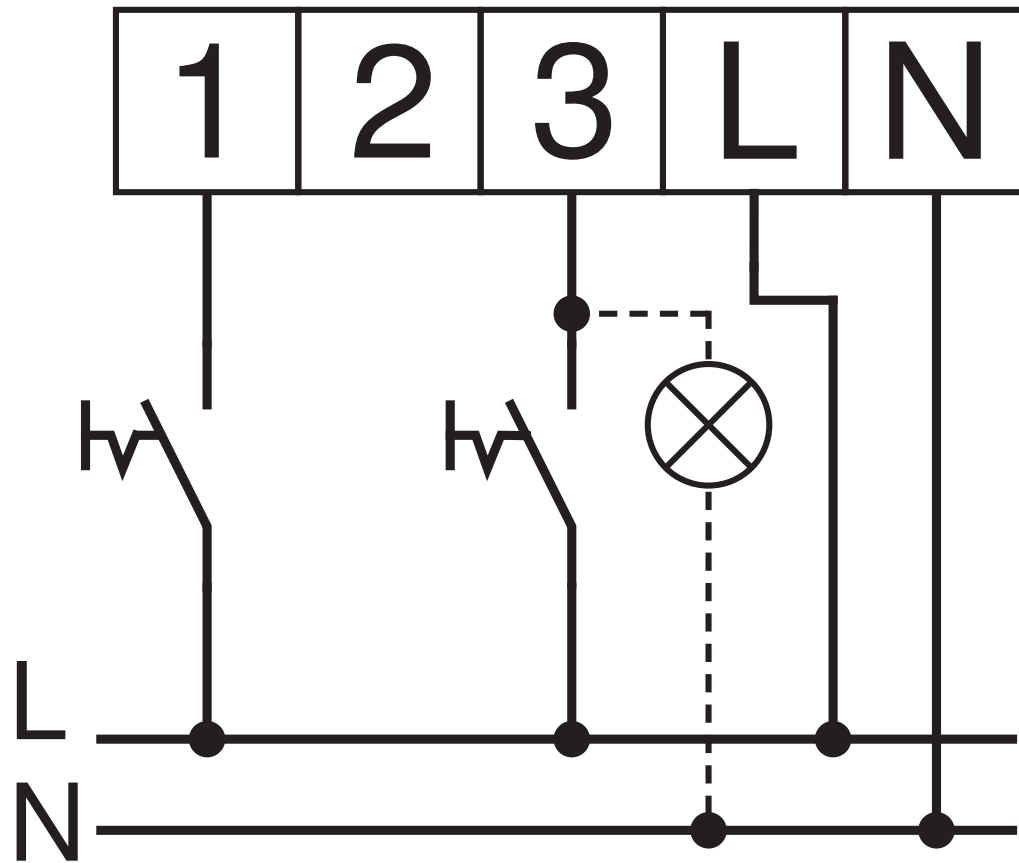



EC 100/35 N SS-1189



3	100 m ³ /h	
1	35 m ³ /h	