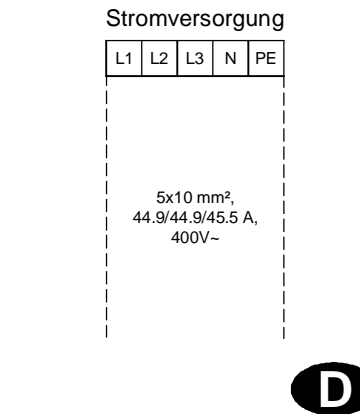
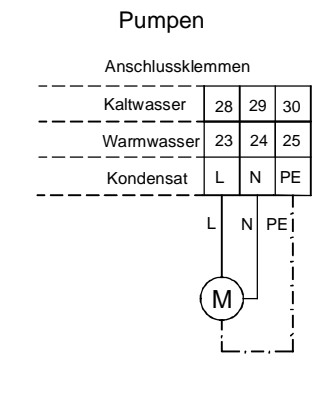
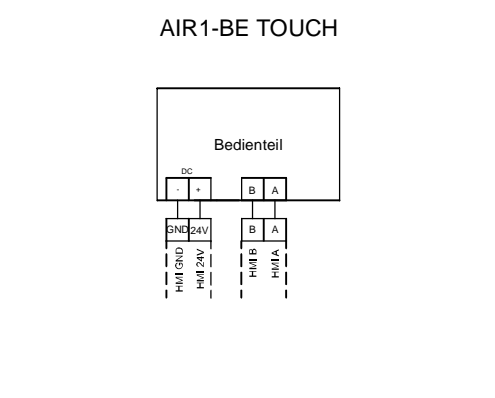
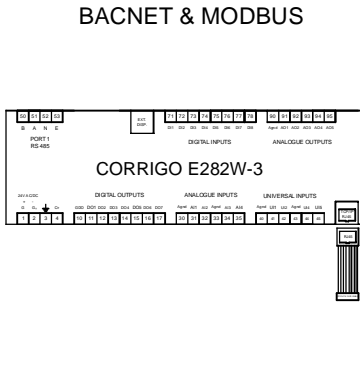
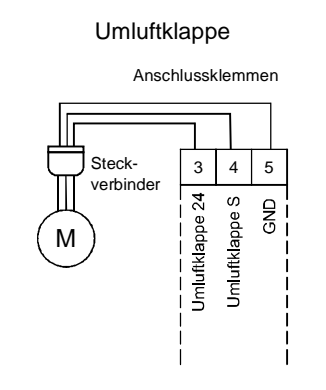
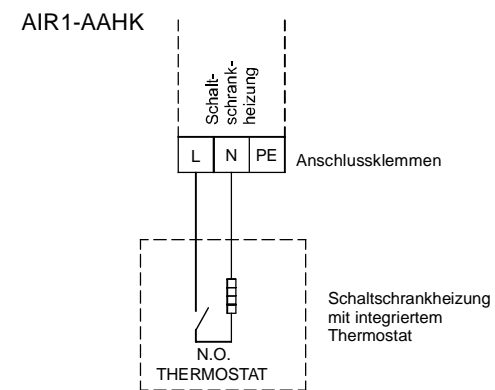
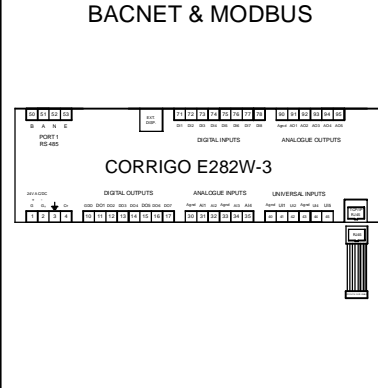
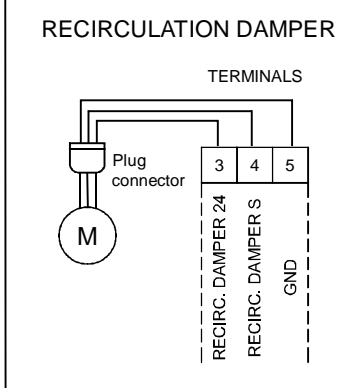
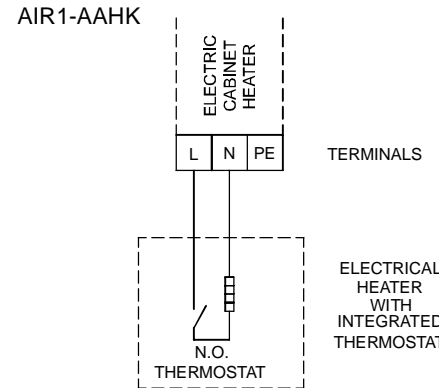
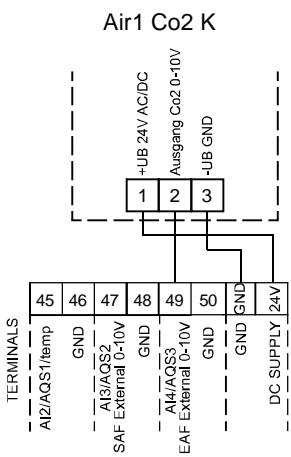
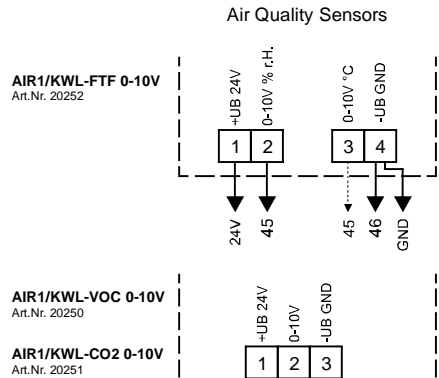
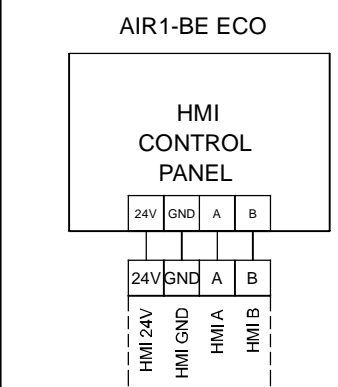
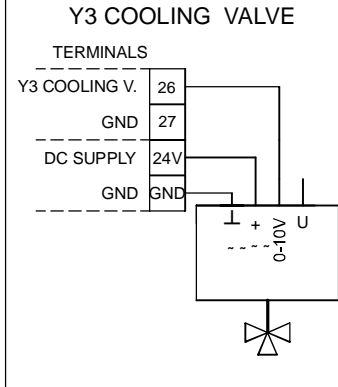
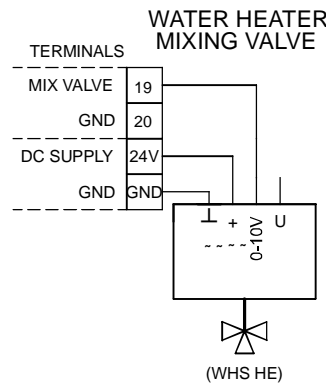
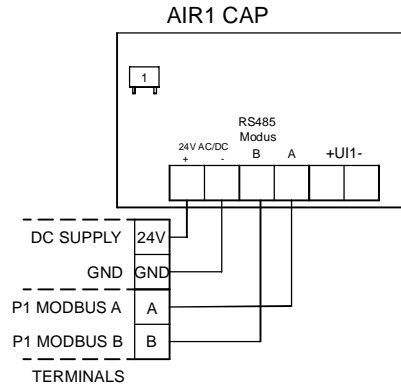
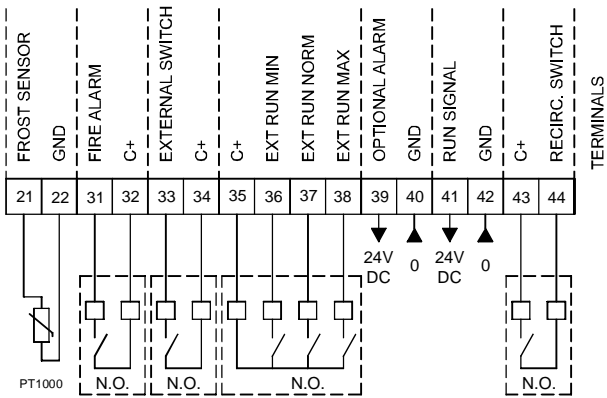


45-46: Luftqualitätssensor 1 oder Temperatur-Sensor (Temperatursignal AIR1/KWL-FTF 0-10V)

47-48: Luftqualitätssensor 2

49-50: Luftqualitätssensor 3



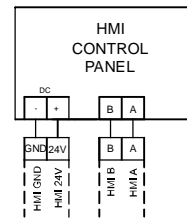


45-46: Air Quality Sensor 1 or temperature sensor (temp output AIR1/KWL-FTF 0-10V)

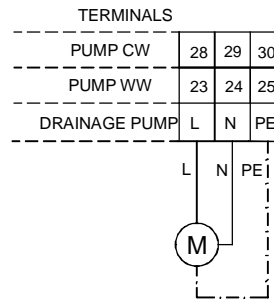
47-48: Air Quality Sensor 2

49-50: Air Quality Sensor 3

AIR1-BE TOUCH



PUMP WW/CW/DRAINAGE



UNIT POWER SUPPLY

