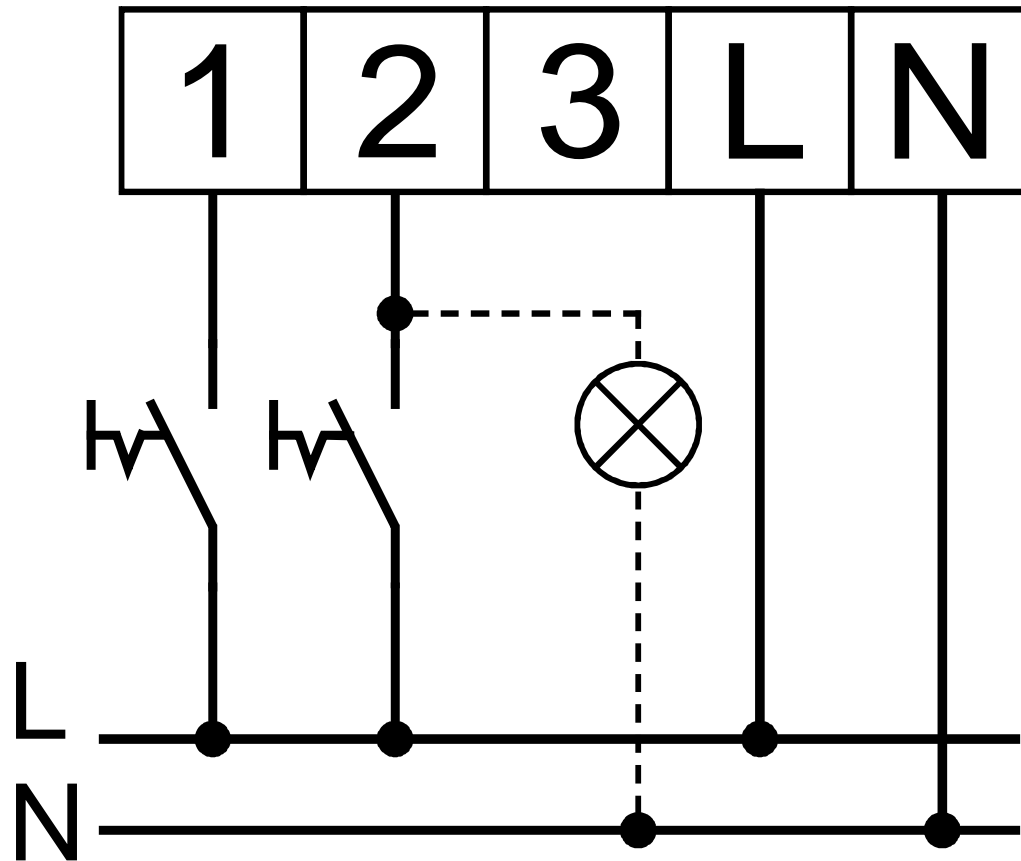




EC 60/15 N

SS-1459



| | | |
|---|----------------------|---|
| 2 | 60 m ³ /h |  |
| 1 | 15 m ³ /h |  |