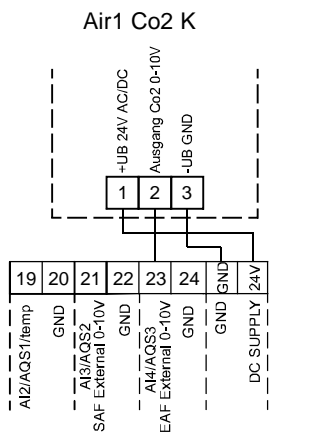
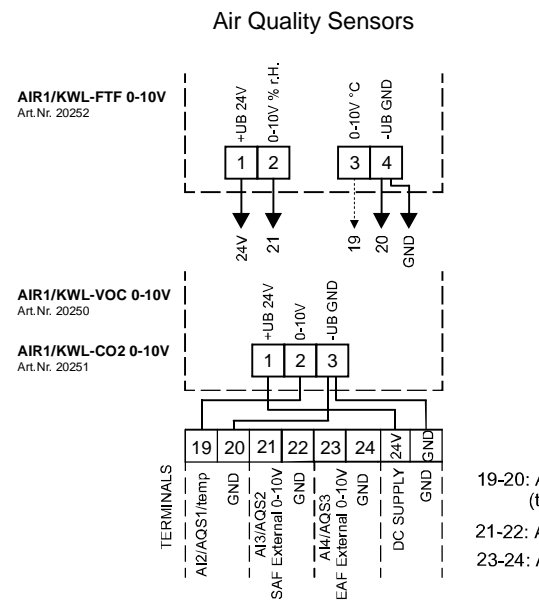
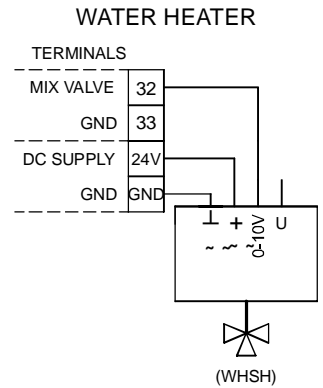
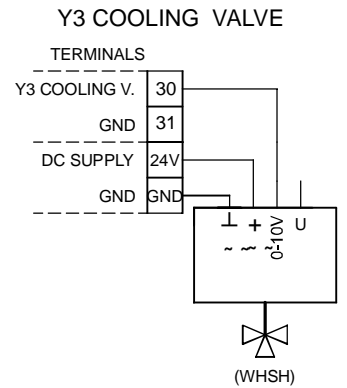
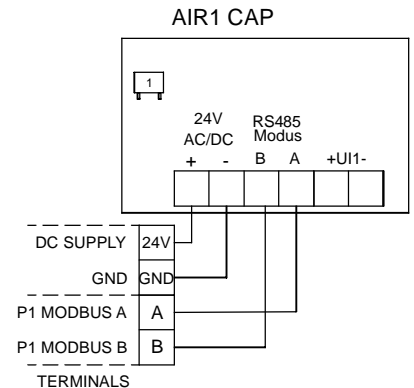
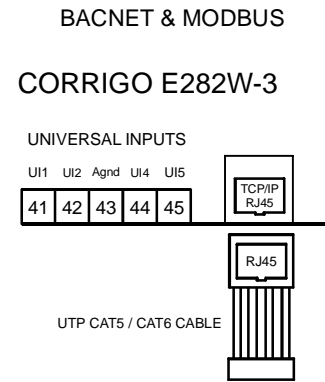
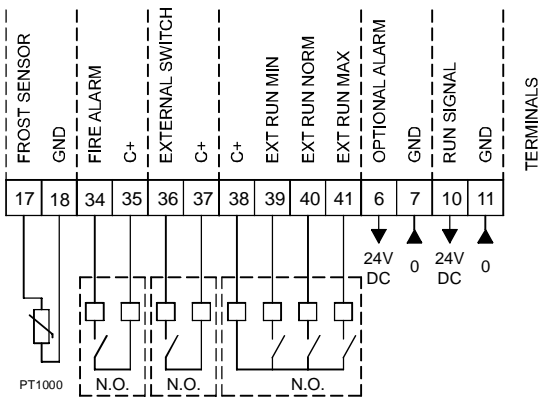
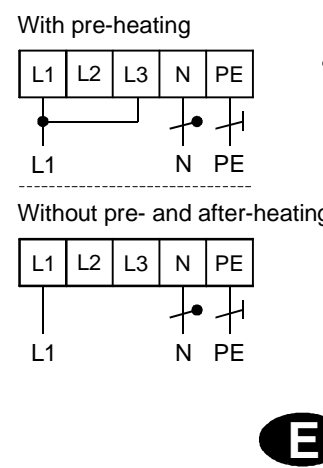
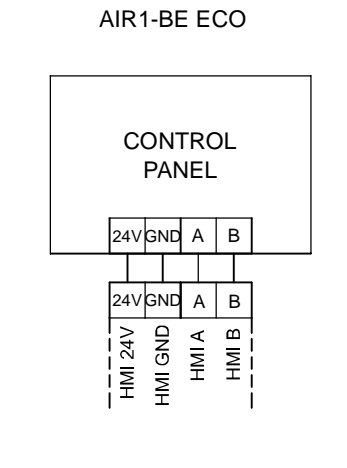
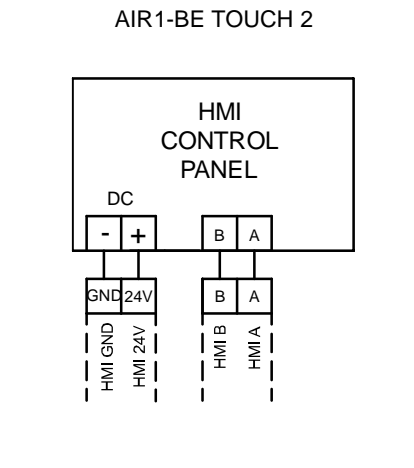
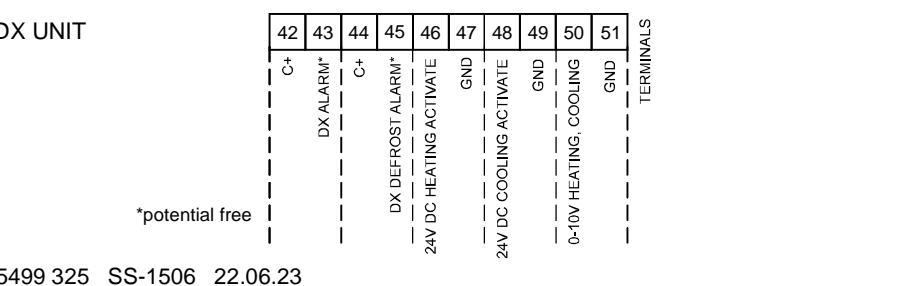
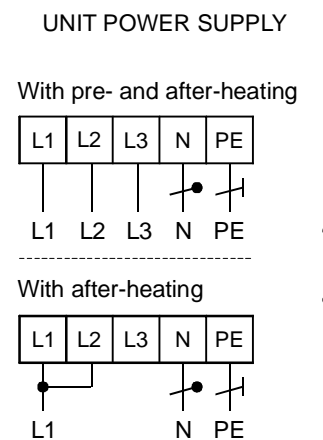
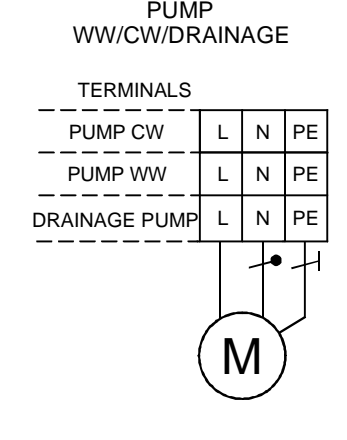
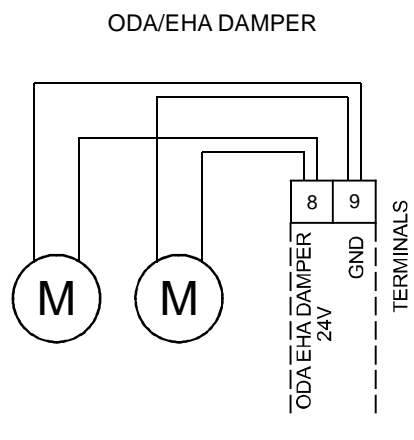


Leitungsquerschnitt: 2,5mm²





19-20: Air Quality Sensor 1 or temperature sensor (temp output AIR1/KWL-FTF 0-10V)
21-22: Air Quality Sensor 2
23-24: Air Quality Sensor 3



Cable cross-section: 2,5mm²



