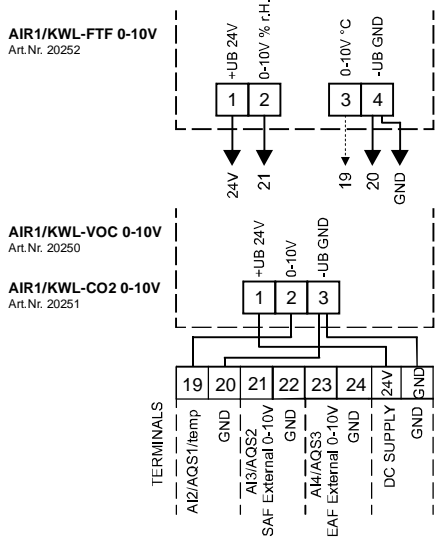
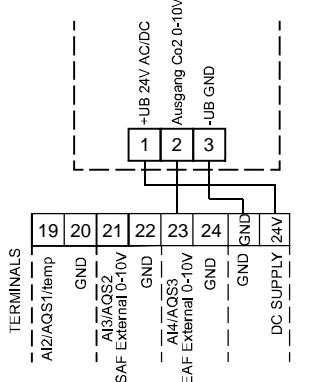


**Air Quality Sensors**



**Air1 Co2 K**

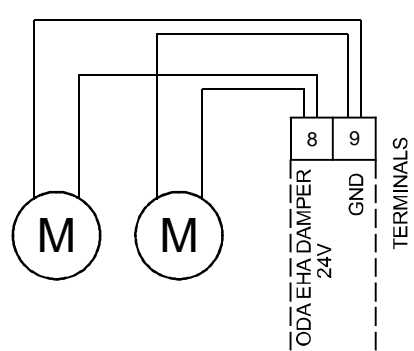


19-20: Air Quality Sensor 1 or temperature sensor (temp output AIR1/KWL-FTF 0-10V)

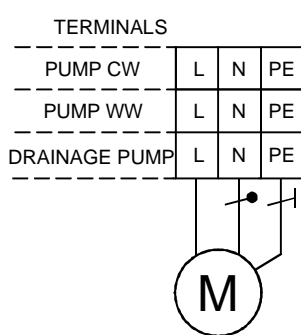
21-22: Air Quality Sensor 2

23-24: Air Quality Sensor 3

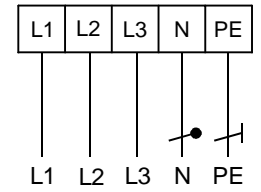
**ODA/EHA DAMPER**



**PUMP WW/CW/DRAINAGE**

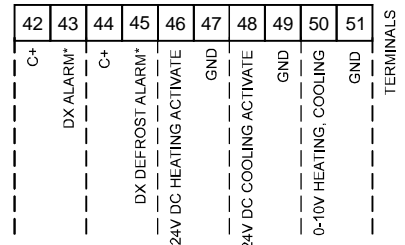


**UNIT POWER SUPPLY**



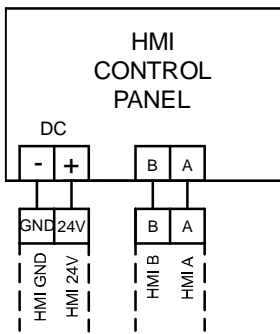
Cable cross-section: 6mm<sup>2</sup>

**DX UNIT**



\*potential free

**AIR1-BE TOUCH 2**



**AIR1-BE ECO**

