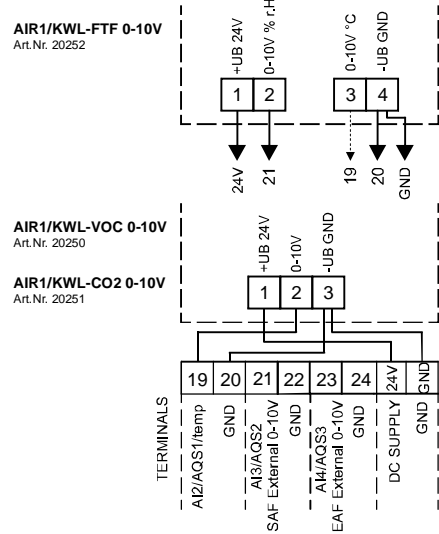
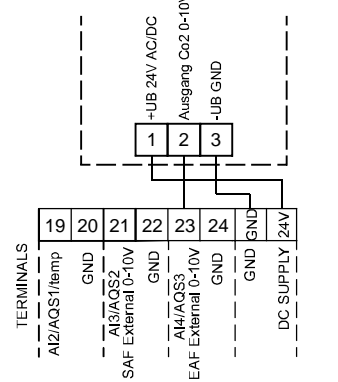


Air Quality Sensors

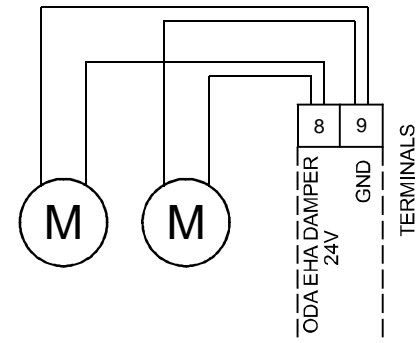


Air1 Co2 K

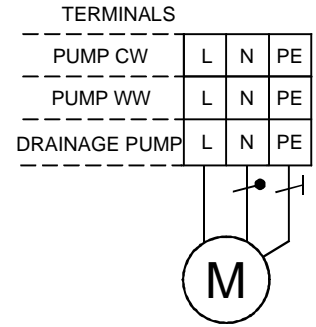


19-20: Air Quality Sensor 1 or temperature sensor (temp output AIR1/KWL-FTF 0-10V)
21-22: Air Quality Sensor 2
23-24: Air Quality Sensor 3

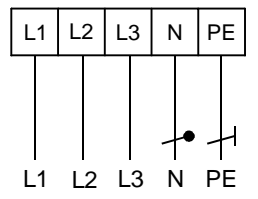
ODA/EHA DAMPER



PUMP WW/CW/DRAINAGE

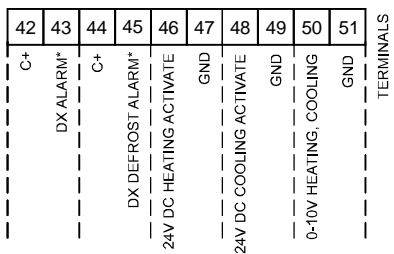


UNIT POWER SUPPLY



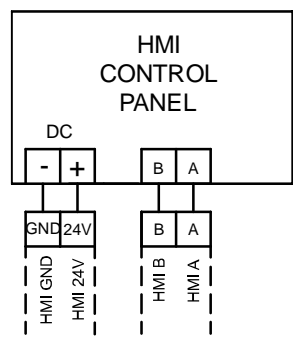
Cable cross-section: 10mm²

DX UNIT



*potential free

AIR1-BE TOUCH 2



AIR1-BE ECO

